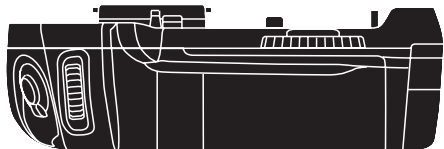


Nikon



Multi-Power Battery Pack

MB-D12

.....
User's Manual

En

De

Fr

Es

No

Sv

Fi

Ru

Dk

Nl

Pt

It

Gr

Pl

Cz

Hu

Sk

Sl

Et

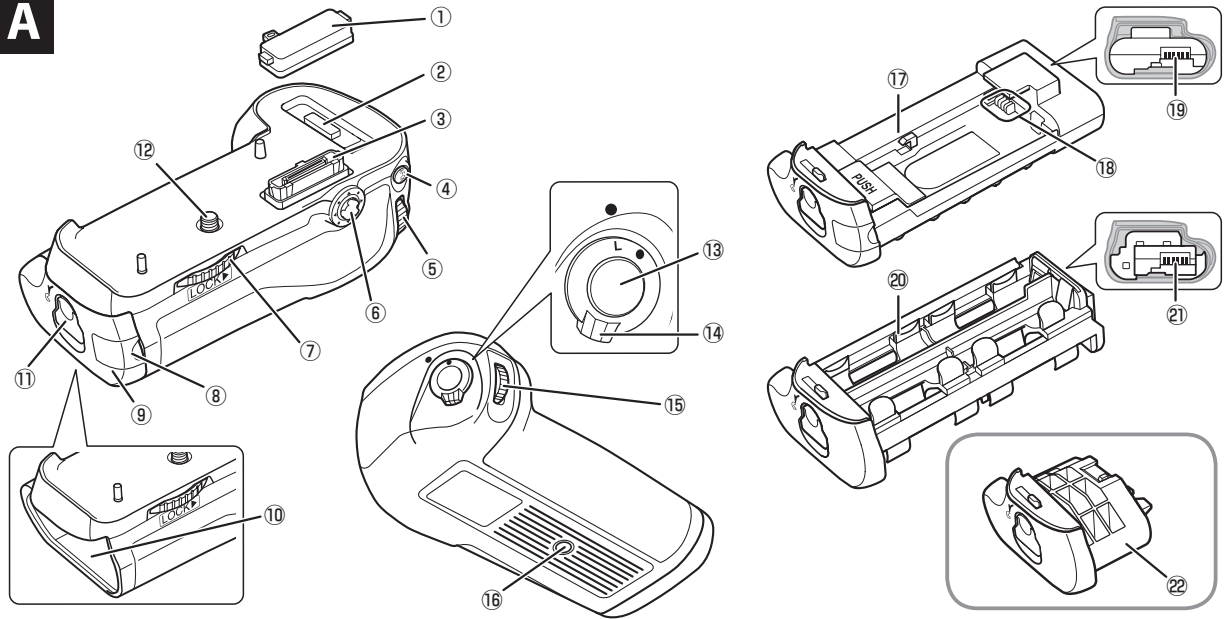
Lv

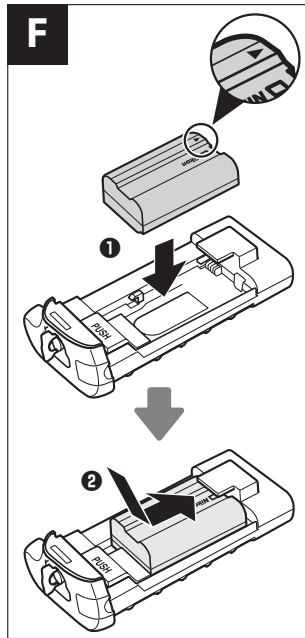
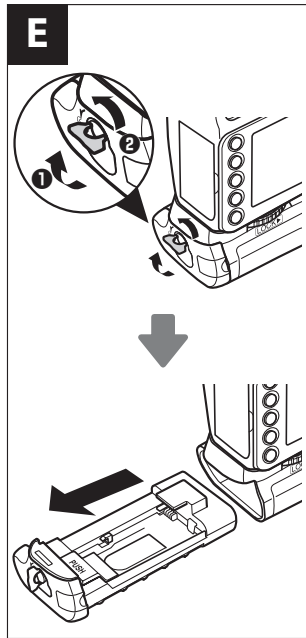
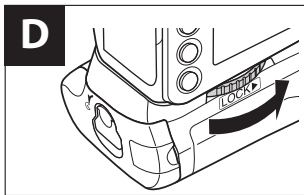
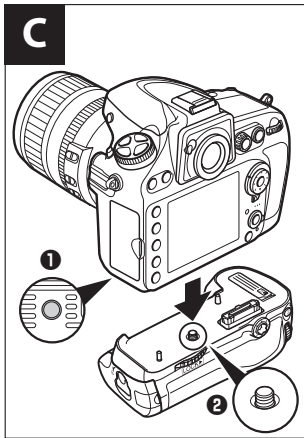
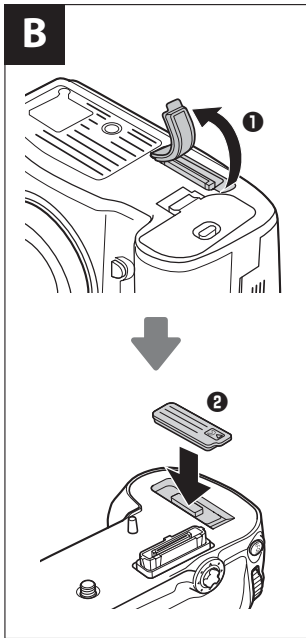
Lt

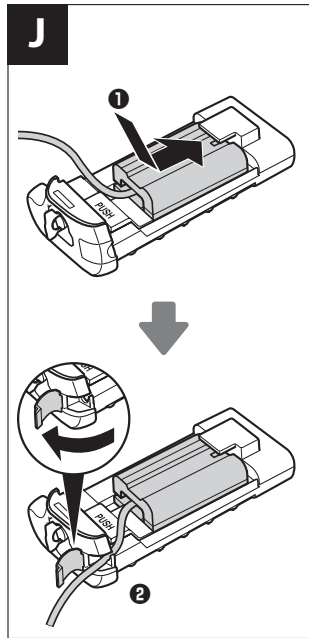
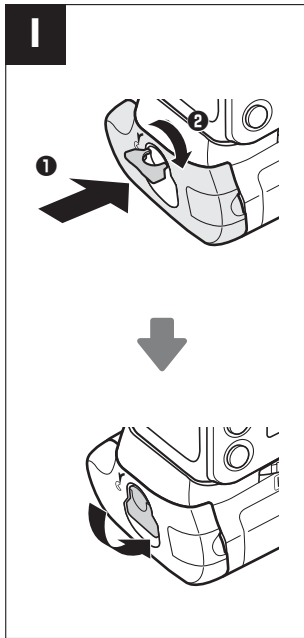
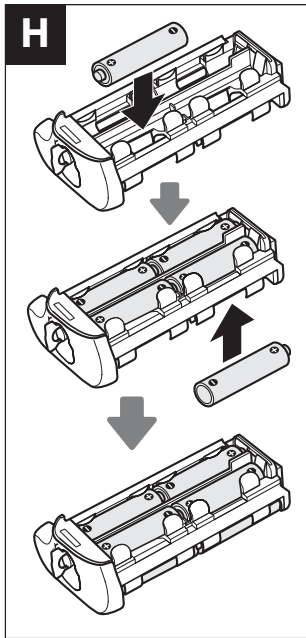
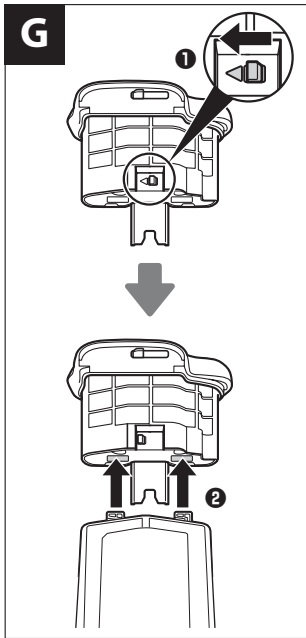
Is

Ro

Ua

A





MB-D12 Multi-Power Battery Pack

User's Manual

Table of Contents

| | |
|---|----|
| Safety Precautions | 2 |
| Notice for Customers in Europe..... | 2 |
| Precautions for Use | 2 |
| Introduction | 4 |
| The MB-D12 and Accessories | 4 |
| The MB-D12 and Supplied Accessories | 4 |
| Using the Optional EH-5a/EH-5b AC Adapter and EP-5B Power Connector..... | 4 |
| Using the Optional BL-5 Battery-Chamber Cover | 4 |
| Parts of the MB-D12 | 5 |
| The MB-D12 Shutter-Release Button, Multi Selector, Command Dials, and AF-ON Button | 5 |
| The MB-D12 Control Lock | 5 |
| Using the Battery Pack | 6 |
| Attaching the Battery Pack | 6 |
| Removing the Battery Pack..... | 6 |
| Inserting Batteries | 7 |
| Removing Batteries | 9 |
| Specifications..... | 10 |

Safety Precautions

En

To ensure proper operation, read this manual thoroughly before using this product. After reading, be sure to keep it where it can be seen by all those who use the product.

Notice for Customers in Europe

CAUTION

RISK OF EXPLOSION IF BATTERY IS REPLACED BY AN INCORRECT TYPE. DISPOSE OF USED BATTERIES ACCORDING TO THE INSTRUCTIONS.

This symbol indicates that this product is to be collected separately.

The following apply only to users in European countries:

- This product is designated for separate collection at an appropriate collection point. Do not dispose of as household waste.
- For more information, contact the retailer or the local authorities in charge of waste management.



Precautions for Use

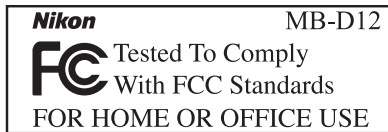
- The MB-D12 is for use with compatible cameras only.
- Do not use with batteries and battery holders not recommended in this manual.
- To prevent electrical shorts caused by metal objects touching the power terminals, replace the contact cap when the MB-D12 is not in use.
- When a battery holder is removed from the MB-D12, remove the batteries or place the holder or cover in the holder case to prevent electrical shorts caused by contact with other metal objects.
- The memory card access lamp may light up when the MB-D12 is attached or removed from the camera, but this is not malfunction.
- Should you notice smoke or an unusual smell or noise from the battery pack, discontinue use immediately. After removing the batteries, take the device to the retailer or a Nikon-authorized service representative for inspection.
- The MB-D12 is not equipped with a power switch. Use the camera power switch to turn the power on or off.

✔ **Notice for Customers in the U.S.A.**

Federal Communications Commission (FCC) Radio Frequency Interference Statement

This equipment has been tested and found to comply with the limits for a Class B digital device, pursuant to Part 15 of the FCC rules. These limits are designed to provide reasonable protection against harmful interference in a residential installation. This equipment generates, uses, and can radiate radio frequency energy and, if not installed and used in accordance with the instructions, may cause harmful interference to radio communications. However, there is no guarantee that interference will not occur in a particular installation. If this equipment does cause harmful interference to radio or television reception, which can be determined by turning the equipment off and on, the user is encouraged to try to correct the interference by one or more of the following measures:

- Reorient or relocate the receiving antenna.
- Increase the separation between the equipment and receiver.
- Connect the equipment into an outlet on a circuit different from that to which the receiver is connected.
- Consult the dealer or an experienced radio/television technician for help.



CAUTION

Modifications: The FCC requires the user to be notified that any changes or modifications made to this device that are not expressly approved by Nikon Corporation may void the user's authority to operate the equipment.

Nikon Inc.,
1300 Walt Whitman Road, Melville, New York
11747-3064, U.S.A.
Tel.: 631-547-4200

✔ **Notice for Customers in Canada**

CAUTION

This Class B digital apparatus complies with Canadian ICES-003.

ATTENTION

Cet appareil numérique de la classe B est conforme à la norme NMB-003 du Canada.

Introduction

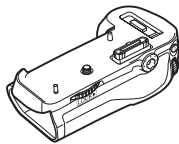
En

Thank you for your purchase of an MB-D12 multi-power battery pack for use with all Nikon single-lens reflex digital cameras that list the MB-D12 as a compatible accessory in the camera manual. The MB-D12 takes one EN-EL15 or EN-EL18 rechargeable battery or eight AA batteries (alkaline, Ni-MH, or lithium) and includes an alternate shutter-release button, **AF-ON** button, multi selector, and main and sub-command dials for taking pictures in “tall” (portrait) orientation. Camera menu options allow the user to choose whether the camera battery or the batteries in the MB-D12 are used first; see the camera manual for details.

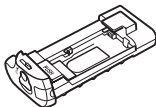
The MB-D12 and Accessories

The MB-D12 and Supplied Accessories

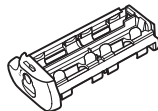
Confirm that the following items are supplied with the MB-D12 (batteries are sold separately).



MB-D12



MS-D12EN holder for
EN-EL15 batteries



MS-D12 holder for
AA batteries



Holder case



Contact cap

The MS-D12EN is inserted in the MB-D12 at shipment. See “Inserting Batteries” for information on removing the battery holder.

- User’s manual (this manual)
- Warranty

Using the Optional EH-5a/EH-5b AC Adapter and EP-5B Power Connector

The optional EH-5a/EH-5b AC adapter and EP-5B power connector provide a reliable power source when the camera is used for extended periods. To use an AC adapter with the MB-D12, insert the EP-5B into the MS-D12EN battery holder as described on page 7 and then connect the EH-5a/EH-5b as described in the documentation provided with the EP-5B.

Using the Optional BL-5 Battery-Chamber Cover

A BL-5 battery-chamber cover (available separately) is required when using EN-EL18 batteries.



BL-5 battery-chamber cover

Parts of the MB-D12 (Figure A)

- ① Contact cap
- ② Holder for camera contact cover
- ③ Power/signal contacts
- ④ **AF-ON** button
- ⑤ Main command dial
- ⑥ Multi selector
- ⑦ Attachment wheel
- ⑧ Holder power connector cover
- ⑨ Battery-chamber cover
- ⑩ Battery chamber
- ⑪ Battery-chamber latch
- ⑫ Mounting screw
- ⑬ Shutter-release button
- ⑭ Control lock
- ⑮ Sub-command dial
- ⑯ Tripod socket
- ⑰ MS-D12EN holder for EN-EL15 batteries
- ⑱ Power terminals
- ⑲ Power terminals (MS-D12EN battery holder)
- ⑳ MS-D12 holder for AA batteries
- ㉑ Power terminals (MS-D12 battery holder)
- ㉒ BL-5 battery-chamber cover (available separately)

The MB-D12 Shutter-Release Button, Multi Selector, Command Dials, and AF-ON Button

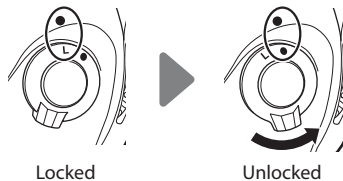
The MB-D12 is equipped with a shutter-release button (Figure A-13), multi selector (Figure A-6), main command dial (Figure A-5), sub-command dial (Figure A-15), and **AF-ON** button (Figure A-4) for use when taking photographs in vertical (“tall,” or portrait) orientation. These controls perform the same functions as the corresponding controls on the camera. See the camera manual for more information.

Changes to **Multi selector center button**, **Multi selector**, **Customize command dials**, and **Assign MB-D12 AF-ON** in the camera Custom Settings menu (Group f) also apply to the multi selector, command dials, and **AF-ON** button on the MB-D12.

The MB-D12 Control Lock

The control lock (Figure A-14) locks the controls on the MB-D12 to prevent unintended use. Before using these controls to take photographs in vertical (portrait) orientation, release the lock as shown at right.

The control lock is not a power switch. Use the camera power switch to turn the camera on and off.



Attaching the Battery Pack

Before attaching the battery pack, be sure that the camera is off and that the MB-D12 control lock (Figure A-14) is in the **L** position (the illustrations show the D800).

- 1 Remove the contact cap (Figure A-1) from the battery pack.
- 2 The contacts for the MB-D12 are in the base of the camera, where they are protected by a contact cover. Remove the contact cover as shown in Figure B-1 and place it in the contact cover holder on the MB-D12 (Figure B-2).
- 3 Position the MB-D12, keeping the MB-D12 mounting screw (Figure C-2) aligned with the camera tripod socket (Figure C-1) and tighten the attachment wheel by rotating it in the direction shown by the **LOCK** arrow (Figure D). There is no need to remove the battery from the camera before connecting the MB-D12. At default settings, the battery inserted in the camera will be used only after the battery in the MB-D12 is exhausted. The **Battery order** option in the camera Custom Settings menu (Group d) can be used to change the order in which the batteries are used.

Be sure to place the camera contact cover in the contact cover holder and to keep the MB-D12 contact cap in a safe place to prevent loss.

A PB-6D and PK-13 auto-extension ring are required when using PB-6 bellows focusing attachment with the MB-D12.


Removing the Battery Pack




To remove the MB-D12, turn the camera off and set the control lock on the MB-D12 to **L**, then loosen the attachment wheel and remove the MB-D12. Be sure to replace the contact cover on the camera and the contact cap on the MB-D12 when the battery pack is not in use.




Inserting Batteries

The MB-D12 can be used with one EN-EL15 or EN-EL18 rechargeable Li-ion battery, or with eight AA batteries. A BL-5 battery-chamber cover (available separately) is required when using an EN-EL18 battery.

Before inserting batteries, be sure that the camera is off and that the MB-D12 control lock is in the **L** position.

- 1 Turn the MB-D12 battery-chamber latch to  and remove the battery holder (Figure E).
- 2 Ready the batteries as described below.




EN-EL15: Matching the indentations on the battery to the projections on the MS-D12EN holder, insert the battery with the arrow () on the battery toward the battery holder power terminals (Figure F-). Press the battery lightly downward and slide it in the direction of the arrow until the power terminals click into place (Figure F-).

EN-EL18: If the battery release on the optional BL-5 battery-chamber cover is positioned so that the arrow  is visible, slide the battery release to cover the arrow (Figure G-). Insert the two projections on the battery into the matching slots on the BL-5 (Figure G-) and confirm that the battery release has slid aside to reveal the arrow.

AA batteries: Place eight AA batteries in the MS-D12 battery holder as shown in Figure H, making sure that the batteries are in the correct orientation.

- 3 Insert the battery holder in the MB-D12 and latch the battery-chamber cover (Figure I). Make sure the holder is fully inserted before turning the latch.
- 4 Turn the camera on and check the battery level in the control panel or viewfinder. If the camera does not turn on, check that the battery is correctly inserted.

The EP-5B Power Connector

When using the EP-5B power connector, insert it into the MS-D12EN holder with the arrow () on the connector toward the battery power terminals. Press the connector lightly downward and slide it in the direction of the arrow until the power terminals click into place (Figure J-). Open the holder power connector cover and pass the EP-5B power cable through the opening (Figure J-).

Battery Level

The camera displays battery level as follows:

EN-EL15/EN-EL18

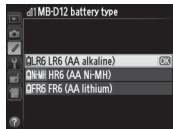
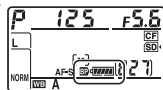
| Control panel | Viewfinder | Description |
|---------------|------------|---|
| | — | Battery fully charged. |
| | — | Battery partially discharged. |
| | | |
| | | |
| | | Low battery. Ready fully-charged spare battery or charge battery. |
| | | Battery exhausted. Charge or exchange battery. |

AA Batteries

| Control panel | Viewfinder | Description |
|---------------|------------|--|
| | — | Charge remaining. |
| | | Low batteries. Ready spare batteries. |
| | | Batteries exhausted. Shutter release disabled. |

An option in Group d of the camera Custom Settings menu can be used to change the order in which the batteries are used. When the camera is drawing power from the MB-D12, a **BP** icon is displayed in the control panel. If the **BP** icon blinks, the battery-chamber cover is not locked. Close and latch the battery-chamber cover.

To ensure that the camera shows the correct battery level when AA batteries are used, choose the appropriate option for **MB-D12 battery type** in the camera Custom Settings menu (Group d). If the correct option is not selected, the camera may fail to function as expected.

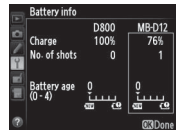


| Option | Battery type |
|-------------------|-------------------|
| LR6 (AA alkaline) | AA alkaline (LR6) |
| HR6 (AA Ni-MH) | AA Ni-MH (HR6) |
| FR6 (AA lithium) | AA Lithium (FR6) |

Remove the batteries when the MB-D12 is not in use.

Battery Info


Battery information (including calibration information for EN-EL18 batteries) can be viewed from the camera setup menu (the camera battery is listed on the left, the MB-D12 on the right). Only the battery level icon is shown when AA batteries are used. See the camera manual for details.



Note: The illustrations on this page are from the D800.

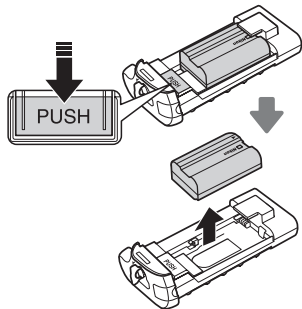
Removing Batteries

Be careful not to drop batteries or the holder.

- 1 Turn the MB-D12 battery-chamber latch to  and remove the battery holder (Figure E).
- 2 Remove the battery or batteries from the holder.


EN-EL15

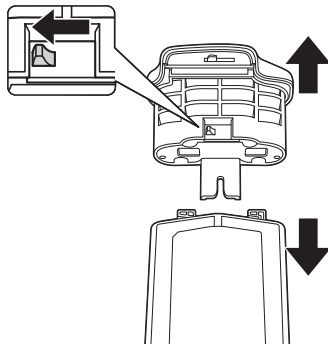
While pressing the holder **PUSH** button, slide the battery toward the button. The battery can then be removed as shown.



The procedure for removing the EP-5B power connector is the same as that for the EN-EL15.

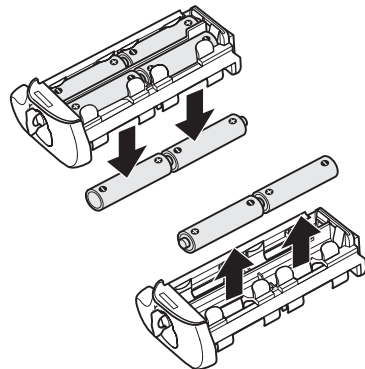
EN-EL18

Slide the battery release in the direction indicated by the arrow () and remove the battery-chamber cover.



AA Batteries

Remove the batteries as shown. Be careful not to drop the batteries when removing them from the holder.



Specifications

En

| | |
|-------------------------------|--|
| Power source | One EN-EL15 or EN-EL18 rechargeable Li-ion battery, eight LR6 alkaline, HR6 Ni-MH, or FR6 lithium AA batteries, or EH-5b/EH-5a/EH-5 AC adapter (requires EP-5B power connector) |
| Operating temperature | 0 – 40°C (32 – 104°F) |
| Dimensions (W × H × D) | Approx. 151 × 50 × 81 mm (6.0 × 2.0 × 3.2 in.) |
| Weight | Approx. 365 g (12.9 oz) with MS-D12EN and optional EN-EL15 battery Approx. 460 g (16.3 oz) with MS-D12 and eight AA batteries (available separately from third-party suppliers) Approx. 310 g (11.0 oz) with MS-D12EN and optional EP-5B power connector Approx. 425 g (15.0 oz) with optional BL-5 and EN-EL18 battery Approx. 280 g (9.9 oz) with MS-D12EN Approx. 270 g (9.6 oz) with MS-D12 |

Specifications and design are subject to change without notice.

EN-EL15 and EN-EL18 Batteries

The performance of EN-EL15 and EN-EL18 batteries drops at temperatures below about 10°C (50°F). Be sure the battery is fully charged and keep a warm spare battery on hand ready to exchange as necessary. Cold batteries will recover some of their charge when warmed.

AA Batteries

Due to their limited capacity, AA LR6 alkaline batteries should be used only when no other alternative is available.

The capacity of AA batteries varies with make and storage conditions and may in some instances be extremely low; in some cases, AA batteries may cease to function before their expiry date. Note that the capacity of AA batteries may drop at temperatures below 20°C (68°F). Use is not recommended at low temperatures.

Frame Advance Rate

EN-EL18 and AA batteries support higher frame advance rates than the EN-EL15; note, however, that in the case of AA batteries the frame advance rate will drop at low temperatures or if the batteries are low. For more information on frame advance rates, see the camera manual.

Multifunktionshandgriff MB-D12

Benutzerhandbuch

| | |
|---|---|
| Sicherheitshinweise | 2 |
| Hinweis für Kunden in Europa | 2 |
| Gebrauchshinweise | 2 |
| Einführung | 3 |
| MB-D12 und Zubehör | 3 |
| Das MB-D12 und das im Lieferumfang enthaltene Zubehör | 3 |
| Verwendung des optionalen Netzadapters EH-5a/ EH-5b und des Akkufacheinsatzes EP-5B..... | 3 |
| Verwenden der Optionalen Akkufachabdeckung BL-5 ... | 4 |
| Komponenten des MB-D12 | 4 |
| Auslöser, Multifunktionswähler, Einstellräder und AF-ON-Taste des MB-D12 | 4 |
| Die Auslösesperre des MB-D12 | 4 |
| Verwenden des Batterieteils..... | 5 |
| Anbringen des Multifunktionshandgriffs..... | 5 |
| Abnehmen des Multifunktionshandgriffs | 5 |
| Einsetzen von Akkus oder Batterien | 6 |
| Herausnehmen der Batterien bzw. der Akkus | 8 |
| Technische Daten | 9 |

Sicherheitshinweise

De

Bitte lesen Sie diese Anleitung vor der Verwendung des Multifunktionshandgriffs aufmerksam durch. Bewahren Sie die Anleitung stets griffbereit auf, so dass sie allen Personen, die den Multifunktionshandgriff verwenden, direkt zugänglich ist.

Hinweis für Kunden in Europa

VORSICHT

WENN DER FALSCHER AKKUTYP VERWENDET WIRD, BESTEHT EXPLOSIONSGEFAHR. ENTSORGEN SIE GEBRAUCHTE AKKUS NACH DEN GELTENDEN VORSCHRIFTEN.

Durch dieses Symbol wird angezeigt, dass dieses Produkt getrennt entsorgt werden muss.



Folgendes gilt für Verbraucher in europäischen Ländern:

- Dieses Produkt muss an einer geeigneten Sammelstelle separat entsorgt werden. Eine Entsorgung über den Hausmüll ist unzulässig.
- Weitere Informationen erhalten Sie bei Ihrem Fachhändler oder bei den für die Abfallentsorgung zuständigen Behörden bzw. Unternehmen.

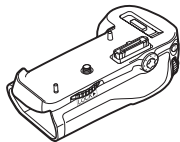
Gebrauchshinweise

- Das MB-D12 kann nur mit kompatiblen Kameras verwendet werden.
- Verwenden Sie das Batterieteil nur mit Batterien bzw. Akkus oder Batteriehaltern, die in dieser Bedienungsanleitung empfohlen werden.
- Damit keine Metallobjekte die Kontakte für die Spannungsversorgung berühren und eventuell einen Kurzschluss verursachen, muss bei Nichtbenutzung des MB-D12 die Kontaktabdeckung aufgesetzt werden.
- Wird ein Akkuhalter vom MB-D12 entfernt, müssen die Batterien zur Vermeidung von Kurzschlüssen, wie sie durch die Berührung mit anderen Metallobjekten auftreten können, entnommen oder der Halter bzw. die Abdeckung ins Halterfach gelegt werden.
- Die Zugriffslampe der Speicherkarte könnte aufleuchten, wenn das MB-D12 an die Kamera angebracht oder von der Kamera entfernt wird. Dies stellt jedoch keine Fehlfunktion dar.
- Falls vom Multifunktionshandgriff Rauch oder ungewöhnliche Gerüche oder Geräusche ausgehen, sollten Sie das Gerät sofort außer Betrieb nehmen. Nehmen Sie die Batterien bzw. Akkus aus dem Multifunktionshandgriff, und lassen Sie ihn von Ihrem Fachhändler oder vom Nikon-Kundendienst überprüfen.
- Das MB-D12 verfügt über keinen Ein-/Ausschalter. Das Gerät wird über den Ein-/Ausschalter der Kamera gesteuert.

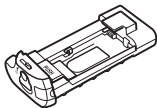
Vielen Dank, dass Sie sich für den Kauf des Multifunktionshandgriffs MB-D12 entschieden haben. Der MB-D12 kann mit allen digitalen Spiegelreflexkameras von Nikon, die das MB-D12 als kompatibles Zubehörteil in der Bedienungsanleitung der Kamera aufführen, verwendet werden. Der MB-D12 nimmt einen Akku vom Typ EN-EL15 oder EN-EL18 oder acht Batterien der Größe AA (Alkaline, Ni-MH oder Lithium) auf und ist mit einem separaten Auslöser, einer **AF-ON**-Taste, einem Multifunktionswähler und zwei Einstellrädern ausgestattet, um Bilder im "Hochformat" aufzunehmen. Mit den Menüoptionen der Kamera kann der Benutzer wählen, ob der Kameraakku oder die Akkus bzw. Batterien im MB-D12 zuerst verwendet werden sollen; lesen Sie hinsichtlich weiterer Einzelheiten die Bedienungsanleitung der Kamera.

Der MB-D12 und das im Lieferumfang enthaltene Zubehör

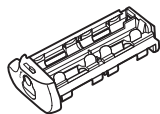
Versichern Sie sich, dass die folgenden Bestandteile im Lieferumfang des MB-D12 enthalten sind (Akkus und Batterien sind separat erhältlich).



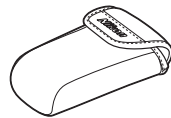
MB-D12



Halter MS-D12EN für
Akkus des Typs EN-EL15



Halter MS-D12 für
Mignonzellen



Haltertasche



Kontaktabdeckung

Der MS-D12EN wird beim Versand in den MB-D12 eingelegt. Siehe hinsichtlich weiterer Informationen zum Abnehmen des Batteriehalters den Abschnitt "Einsetzen von Akkus oder Batterien".

- Benutzerhandbuch (diese Anleitung)
- Garantie

Verwendung des optionalen Netzadapters EH-5a/EH-5b und des Akkufacheinsatzes EP-5B

Der optionale Netzadapter EH-5a/EH-5b und der Akkufacheinsatz EP-5B stellen eine zuverlässige Stromquelle beim Einsatz der Kamera über eine längere Betriebszeit dar. Um einen Netzadapter mit dem MB-D12 zu verwenden, schieben Sie den EP-5B in den Akkualter MS-D12EN, wie auf Seite 6 beschrieben, und schließen Sie dann den EH-5a/EH-5b wie in der dem EP-5B beiliegenden Dokumentation beschrieben an.

Verwenden der optionalen Akkufachabdeckung BL-5

Eine Akkufachabdeckung BL-5 (separat erhältlich) ist erforderlich, wenn Akkus vom Typ EN-EL18 verwendet werden.



Akkufachabdeckung BL-5

- ① Kontaktabdeckung
- ② Halter für die Abdeckung des Kamerakontakts
- ③ Anschluss-/elektrische Kontakte
- ④ **AF-ON**-Taste
- ⑤ Hinteres Einstellrad
- ⑥ Multifunktionswähler
- ⑦ Adapterrad
- ⑧ Abdeckung des Akkufacheinsatzhalters
- ⑨ Batteriefach Abdeckung
- ⑩ Batteriefach
- ⑪ Batteriefach Verriegelung
- ⑫ Befestigungsschraube
- ⑬ Auslöser
- ⑭ Auslösesperre
- ⑮ Vorderes Einstellrad
- ⑯ Stativgewinde
- ⑰ Halter MS-D12EN für Batterien des Typs EN-EL15
- ⑱ Kontakte für die Spannungsversorgung
- ⑲ Kontakte für die Spannungsversorgung (Akkuhalter MS-D12EN)
- ⑳ Halter MS-D12 für Mignonzellen
- ㉑ Kontakte für die Spannungsversorgung (Batteriehalter MS-D12)
- ㉒ Akkufachabdeckung BL-5 (separat erhältlich)

Auslöser, Multifunktionswähler, Einstellräder und AF-ON-Taste des MB-D12

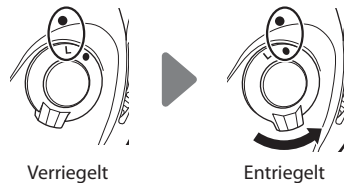
Der MB-D12 verfügt über einen Auslöser (Abbildung A-⑬), einen Multifunktionswähler (Abbildung A-⑥), ein hinteres Einstellrad (Abbildung A-⑤), ein vorderes Einstellrad (Abbildung A-⑮) und eine **AF-ON**-Taste (Abbildung A-④). Verwenden Sie diese Funktionen, wenn Sie Aufnahmen im Hochformat machen. Diese Bedienelemente haben die gleichen Funktionen wie die entsprechenden Bedienelemente der Kamera. Weitere Informationen finden Sie in der Bedienungsanleitung der Kamera.

Änderungen der Optionen **Mitteltaste**, **Multifunktionswähler**, **Einstellräder**, und **AF-ON-Taste des MB-D12** im Menü der Individualfunktionen der Kamera (Gruppe f) gelten auch für den Multifunktionswähler, die Einstellräder und die **AF-ON**-Taste am MB-D12.

Die Auslösesperre des MB-D12

Die Auslösesperre (Abbildung A-⑭) sperrt die Steuerelemente am MB-D12, um eine unbeabsichtigte Benutzung zu verhindern. Lösen Sie die Auslösesperre, wie rechts abgebildet, bevor Sie diese Steuerelemente verwenden, um Fotografien im Hochformat aufzunehmen.

Die Auslösesperre ist kein Ein-/Ausschalter. Verwenden Sie den Ein-/Ausschalter der Kamera, um diese ein- oder auszuschalten.



Verwenden des Batterieteils

Anbringen des Multifunktionshandgriffs

Stellen Sie vor dem Anbringen des Batterieteils MB-D12 sicher, dass die Kamera ausgeschaltet ist und sich die Auslösesperre (Abbildung A-14) am Multifunktionshandgriff in der Position **L** befindet (die Abbildungen zeigen die D800).

- 1 Nehmen Sie die Kontaktabdeckung (Abbildung A-1) vom Akku ab.
- 2 Die Kontakte für den MB-D12 befinden sich am Boden der Kamera, an dem sie durch eine Kontaktabdeckung geschützt werden. Nehmen Sie die Kontaktabdeckung wie in Abbildung B-1 dargestellt ab und legen Sie sie in den Kontaktabdeckungshalter des MB-D12 (Abbildung B-2).
- 3 Positionieren Sie den MB-D12 so, dass seine Befestigungsschraube (Abbildung C-2) am Stativgewinde der Kamera (Abbildung C-1) ausgerichtet ist, und ziehen Sie das Ansatzrad fest, indem Sie es in die durch den **LOCK**-Pfeil (Abbildung D) dargestellte Richtung drehen. Der Akku muss vor dem Anschließen des MB-D12 nicht aus der Kamera genommen werden. Bei den Standardeinstellungen greift die Kamera erst dann auf den Kameraakku zu, wenn die Batterie im MB-D12 entladen ist. Mit der Option **Akkureihenfolge** im Menü der Individualfunktionen der Kamera (Gruppe d) kann die Reihenfolge geändert werden, in der die Akkus bzw. Batterien verwendet werden.

Denken Sie daran, die Kamera-Kontaktabdeckung in den Kontaktabdeckungshalter zu legen und die Kontaktabdeckung des MB-D12 an einem sicheren Ort aufzubewahren, damit Sie sie nicht verlieren.

Automatik-Zwischenringe vom Typ PB-6D und PK-13 sind erforderlich, wenn das Balgengerät PB-6 mit dem MB-D12 verwendet wird.

Abnehmen des Multifunktionshandgriffs




Schalten Sie die Kamera aus, wenn Sie den MB-D12 von der Kamera abnehmen wollen, und stellen Sie die Auslösesperre des MB-D12 auf **L**, lösen Sie anschließend das Adapterrad und nehmen Sie das MB-D12 ab. Stellen Sie sicher, dass Sie die Kontaktabdeckungen wieder auf die Kontakte der Kamera und des MB-D12 setzen, wenn der Akku nicht verwendet wird.




Einsetzen von Akkus oder Batterien

Der MB-D12 kann mit einem Lithium-Ionen-Akku vom Typ EN-EL15 oder EN-EL18 oder mit acht Batterien der Größe AA verwendet werden. Eine Akkufachabdeckung vom Typ BL-5 (separat erhältlich) ist erforderlich, wenn ein Akku vom Typ EN-EL18 verwendet wird.

Stellen Sie vor dem Einlegen des Akkus oder der Batterien sicher, dass die Kamera ausgeschaltet ist und dass sich die Auslösesperre des MB-D12 in der **L**-Position befindet.

- 1 Drehen Sie die Batteriefach-Verriegelung des MB-D12 auf  und nehmen Sie den Batteriehalter ab (Abbildung E).
- 2 Bereiten Sie den Akku bzw. die Batterien wie unten beschrieben vor.




EN-EL15: Richten Sie die Vertiefungen des Akkus an den Ausbuchtungen des Halters MS-D12EN aus, und setzen Sie den Akku mit dem Pfeil () in Richtung der Kontakte für die Spannungsversorgung des Akkuhalters ein (Abbildung F-). Drücken Sie den Akku leicht nach unten und schieben Sie ihn in Pfeilrichtung, bis die Kontakte für die Spannungsversorgung einrasten (Abbildung F-.

EN-EL18: Wenn die Akku-Entriegelung an der optionalen Akkufachabdeckung BL-5 so ausgerichtet ist, dass der Pfeil  sichtbar ist, schieben Sie die Akku-Entriegelung über den Pfeil (Abbildung G-). Setzen Sie den Akku mit seinen zwei Ausbuchtungen in die passenden Fächer an der BL-5 (Abbildung G- ein und überprüfen Sie, ob die Akku-Entriegelung so zur Seite geschoben wurde, dass der Pfeil sichtbar ist.

AA-Batterien: Setzen Sie acht Batterien der Größe AA in den Batteriehalter MS-D12 wie in Abbildung H abgebildet ein. Achten Sie darauf, dass die Batterien richtig herum eingelegt werden.

- 3 Schieben Sie den Akkuhalter in den MB-D12 und verriegeln Sie die Akkufachabdeckung (Abbildung I). Vergewissern Sie sich, dass der Halter vollständig eingeschoben ist, bevor Sie den Verschluss umdrehen.
- 4 Schalten Sie die Kamera ein und überprüfen Sie die Batteriekapazität auf dem oberen Display oder im Sucher. Falls sich die Kamera nicht einschalten lässt, überprüfen Sie, ob die Batterien bzw. der Akku korrekt eingelegt wurden.

Der Akkufacheinsatz EP-5B

Wenn Sie den Akkufacheinsatz EP-5B verwenden, schieben Sie ihn so in den Akkuhalter MS-D12EN, dass der Pfeil () auf dem Einsatz in die Richtung der Kontakte für die Spannungsversorgung weist. Drücken Sie den Einsatz leicht nach unten und schieben Sie ihn in Pfeilrichtung, bis die Kontakte einrasten (Abbildung J-). Öffnen Sie die Abdeckung des Akkufacheinsatzhalters und führen Sie das Netzkabel des EP-5B durch die Öffnung (Abbildung J-.

Akku-/Batteriekapazität

An der Kamera wird die Kapazität der Akkus bzw. der Batterien folgendermaßen angezeigt:

EN-EL15/EN-EL18

| Display | Sucher | Beschreibung |
|---------|--------|---|
| | — | Akku vollständig aufgeladen. |
| | — | Akku teilweise entladen. |
| | — | |
| | | Akkukapazität geht zur Neige. Halten Sie einen voll aufgeladenen Ersatzakku bereit oder laden Sie den Akku auf. |
| | | Akku ist leer. Laden Sie den Akku auf oder tauschen Sie ihn aus. |

Mignon-Zellen (Größe AA)

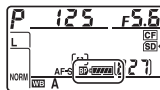
| Display | Sucher | Beschreibung |
|---------|--------|--|
| | — | Vollständige Ladung. |
| | | Batteriekapazität geht zur Neige. Halten Sie Ersatzbatterien bereit. |
| | | Batterien sind entladen. Auslöser gesperrt. |

Mit einer Funktion aus dem Menü der Individualfunktionen (Gruppe d) können Sie die Reihenfolge festlegen, in der die Akkus bzw. Batterien des Handgriffs bzw. der Kamera aufgebraucht werden. Wenn die Kamera Strom vom MB-D12 bezieht, wird auf dem Bedienfeld ein Symbol angezeigt. Wenn das blinkt, ist die Akkufachabdeckung nicht verriegelt. Schließen und verriegeln Sie die Akkufachabdeckung.

Um sicherzustellen, dass die Kamera bei der Verwendung von Mignonzellen die korrekte Batteriekapazität anzeigt, wählen Sie die entsprechende Option für **Akku-/Batterietyp MB-D12** im Menü der Individualfunktionen der Kamera (Gruppe d). Wird eine falsche Option ausgewählt, funktioniert die Kamera möglicherweise nicht wie erwartet.

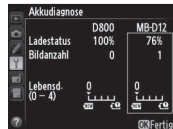
| Option | Batterietyp |
|------------------------|---------------------------|
| LR6 (Mignon, Alkaline) | Alkali-Mignonzelle (LR6) |
| HR6 (Mignon, NiMH) | NiMH-Mignonzelle (HR6) |
| FR6 (Mignon, Lithium) | Lithium-Mignonzelle (FR6) |

Nehmen Sie die Batterien bei Nichtbenutzung aus dem Multifunktionshandgriff heraus.



Akkudiagnose

Die Akkuinformationen (einschließlich Kalibrierungsinformationen für Akkus vom Typ EN-EL18) können vom Kamera-Systemmenü aus angezeigt werden (der Kamera-Akku ist links aufgelistet, der MB-D12 rechts). Wenn AA-Batterien verwendet werden, wird nur das Symbol für den Batterieladestatus angezeigt. Lesen Sie hinsichtlich weiterer Einzelheiten die Bedienungsanleitung der Kamera.




Hinweis: Die Abbildungen auf dieser Seite zeigen die D800.

Herausnehmen der Batterien bzw. der Akkus

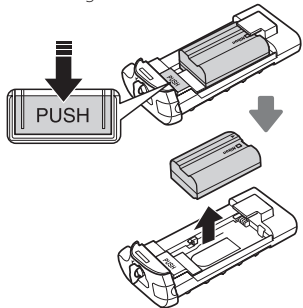
Geben Sie acht, die Akkus oder den Halter nicht fallen zu lassen.

De

- 1 Drehen Sie die Batteriefach Verriegelung des MB-D12 auf  und entnehmen Sie den Batteriehalter (Abbildung E).
- 2 Nehmen Sie den Akku oder die Batterien aus dem Halter.


EN-EL15

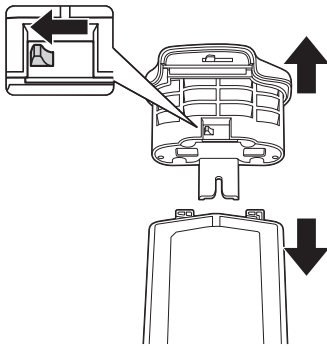
Halten Sie die **PUSH**-Taste auf dem Halter gedrückt und schieben Sie den Akku in Richtung der Taste. Anschließend kann der Akku wie dargestellt herausgenommen werden.



Der Akkufacheinsatz EP-5B wird auf die gleiche Weise entnommen wie der EN-EL15.

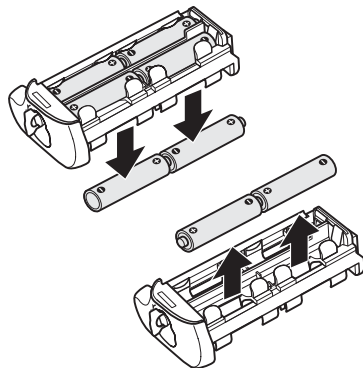
EN-EL18

Schieben Sie die Akku-Entriegelung in die vom Pfeil () angezeigte Richtung und nehmen Sie die Akkufachabdeckung ab.



Mignonzellen

Nehmen Sie die Batterien wie dargestellt heraus. Gehen Sie vorsichtig vor, damit die Batterien bei der Herausnahme aus dem Halter nicht hinunterfallen.



Technische Daten

| | |
|--------------------------------|---|
| Stromversorgung | Ein Lithium-Ionen-Akku vom Typ EN-EL15 oder EN-EL18, acht Batterien der Größe AA vom Typ LR6-Alkaline, Mignon-Ni-MH (HR6) oder FR6-Lithium oder ein Netzadapter vom Typ EH-5b/EH-5a/EH-5 (Akkufacheinsatz EP-5B erforderlich) |
| Betriebstemperatur | 0 bis 40 °C |
| Abmessungen (H × B × T) | Ca. 50 × 151 × 81 mm |
| Gewicht | Ca. 365 g mit MS-D12EN und optionalem Akku vom Typ EN-EL15 Ca. 460 g mit MS-D12 und acht Batterien der Größe AA (von Drittanbietern separat erhältlich) Ca. 310 g mit MS-D12EN und optionalem Akkufacheinsatz EP-5B Ca. 425 g mit optionaler BL-5 und einem Akku vom Typ EN-EL18 Ca. 280 g mit MS-D12EN Ca. 270 g mit MS-D12 |

Änderungen und Irrtümer vorbehalten.

Akkus vom Typ EN-EL15 und EN-EL18

Die Leistung der Akkus vom Typ EN-EL15 und EN-EL18 sinkt bei Temperaturen unter 10 °C. Stellen Sie sicher, dass der Akku vollständig aufgeladen ist und halten Sie einen warmen Ersatzakku bereit, um den Akku bei Bedarf auszutauschen. Kalte Akkus gewinnen bei der Aufwärmung einen Teil ihrer Ladung zurück.

Mignonzellen

Aufgrund ihrer begrenzten Kapazität sollten Mignon-Zellen (LR6, AA) nur dann verwendet werden, wenn keine Alternative zur Verfügung steht.

Die Kapazität von Mignonzellen unterscheidet sich je nach Art der Herstellung und den Aufbewahrungsbedingungen; in einigen Fällen kann die Kapazität extrem gering sein; in anderen Fällen können Mignonzellen bereits vor dem Ablaufdatum ihre Funktion einstellen. Beachten Sie, dass sich die Kapazität von Mignonzellen bei Temperaturen unter 20 °C verringern kann. Der Einsatz bei niedrigen Temperaturen ist nicht zu empfehlen.

Bildrate

Akkus vom Typ EN-EL18 und Mignon-Zellen der Größe AA unterstützen höhere Bildraten als der EN-EL15. Beachten Sie jedoch, dass bei Mignon-Zellen (AA) die Bildrate bei niedrigen Temperaturen oder, wenn die Batterien fast leer sind, sinkt. Weitere Informationen über Bildraten finden Sie in der Bedienungsanleitung der Kamera.

Poignée-alimentation MB-D12

Manuel d'utilisation

| | |
|---|----|
| Mesures de précaution | 2 |
| Avis pour les clients en Europe | 2 |
| Précautions d'utilisation | 2 |
| Présentation | 4 |
| La MB-D12 et ses accessoires | 4 |
| La MB-D12 et les accessoires fournis..... | 4 |
| Utilisation de l'adaptateur secteur EH-5a/EH-5b et du connecteur d'alimentation EP-5B (optionnels) | 4 |
| Utilisation du volet de logement pour accumulateur, BL-5 (optionnel) | 4 |
| Descriptif de la MB-D12 | 5 |
| Déclencheur, sélecteur multidirectionnel, molettes de commande et touche AF-ON de la MB-D12 | 5 |
| Le verrouillage de commande de la MB-D12 | 5 |
| Utilisation de la poignée-alimentation | 6 |
| Montage de la poignée-alimentation..... | 6 |
| Retrait de la poignée-alimentation | 6 |
| Insertion des accumulateurs/piles..... | 7 |
| Retrait des accumulateurs/piles | 9 |
| Caractéristiques | 10 |

Mesures de précaution

Afin de garantir le bon fonctionnement de votre matériel, lisez attentivement ce manuel avant d'utiliser le produit. Ensuite, rangez-le dans un endroit où il pourra être consulté par tous ceux qui auront à s'en servir.

Avis pour les clients en Europe

ATTENTION

IL Y A UN RISQUE D'EXPLOSION SI L'ACCUMULATEUR EST REMPLACÉ PAR UN AUTRE DE TYPE INCORRECT. DÉBARRASSEZ-VOUS DES ACCUMULATEURS USAGÉS EN SUIVANT LES CONSIGNES.

Ce symbole indique que ce produit doit être collecté séparément.



Les mentions suivantes s'appliquent uniquement aux utilisateurs situés dans les pays européens :

- Ce produit doit être déposé dans un point de collecte approprié. Il ne doit pas être jeté avec les déchets ménagers.
- Pour plus d'informations, contactez votre revendeur ou les autorités locales chargées de la gestion des déchets.

Précautions d'utilisation

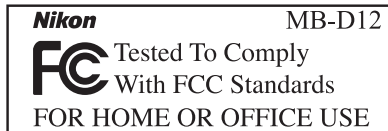
- La MB-D12 s'utilise uniquement avec des appareils photo compatibles.
- N'utilisez pas des piles ou des accumulateurs ainsi que des supports pour piles ou accumulateur non recommandés dans ce manuel.
- Pour éviter tout court-circuit dû au contact entre des objets métalliques et les contacts de l'alimentation, remplacez le cache-contacts lorsque vous n'utilisez pas la MB-D12.
- Lorsqu'un support pour piles ou accumulateur est retiré de la MB-D12, enlevez les piles/l'accumulateur ou mettez le support ou le cache-contacts dans l'étui du support afin d'éviter les courts-circuits causés par le contact avec d'autres objets métalliques.
- Le voyant d'accès à la carte mémoire peut s'allumer lorsque la MB-D12 est fixée ou retirée de l'appareil photo, mais il ne s'agit pas d'un dysfonctionnement.
- Si vous remarquez que de la fumée, une odeur ou un bruit inhabituel provient de la poignée-alimentation, cessez immédiatement de l'utiliser. Après avoir retiré l'accumulateur ou les piles, portez le produit à un centre de service Nikon agréé pour le faire inspecter (veillez à ne pas vous brûler).
- La MB-D12 ne comporte pas de commutateur marche-arrêt. Pour l'allumer ou l'éteindre, utilisez le commutateur marche-arrêt de l'appareil photo.

☑ **Avertissements à l'attention des utilisateurs américains**

Federal Communications Commission (FCC) Radio Frequency Interference Statement

Cet équipement a été testé et trouvé conforme aux limites définies pour les appareils numériques de classe B selon la partie 15 de la réglementation FCC. Ces limites assurent une protection raisonnable contre les interférences dangereuses lorsque l'équipement est utilisé en environnement résidentiel. Cet équipement génère, utilise et peut irradier des radiofréquences qui peuvent, en cas d'une installation et d'une utilisation contraires aux instructions, provoquer des interférences néfastes aux communications radio. Cependant, il n'existe aucune garantie que ce matériel ne provoquera pas des interférences dans une installation particulière. Si ce matériel provoque effectivement des interférences préjudiciables à la réception radio ou télévisée, ce qui peut être déterminé en allumant et en éteignant le matériel, l'utilisateur est vivement encouragé à essayer de corriger ces interférences en ayant recours à une ou plusieurs des mesures suivantes :

- Réorientez ou repositionnez l'antenne de réception.
- Augmentez la distance séparant l'équipement du récepteur.



- Connectez l'appareil photo à une prise reliée à un circuit différent de celui où est connecté le récepteur.
- Consultez un revendeur ou un technicien radio/télévision spécialisé.

AVERTISSEMENTS

Modifications : Le FCC demande qu'il soit notifié à l'utilisateur que tout changement ou modification sur cet appareil qui n'aurait pas été expressément approuvé par Nikon Corporation peut annuler tout droit à l'utilisateur d'utiliser l'équipement.

Nikon Inc.,
1300 Walt Whitman Road, Melville, New York
11747-3064, U.S.A.
Tél.: 631-547-4200

☑ **Avertissements à l'attention des utilisateurs canadiens**

ATTENTION

Cet appareil numérique de la classe B est conforme à la norme NMB-003 du Canada.

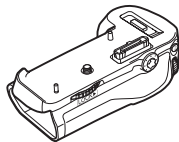
CAUTION

This Class B digital apparatus complies with Canadian ICES-003.

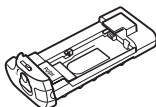
Merci pour votre achat de la poignée-alimentation MB-D12 qui peut être utilisée avec tous les reflex numériques Nikon pour lesquels elle est signalée comme accessoire compatible dans leur manuel d'utilisation. La MB-D12 est alimentée soit par un accumulateur EN-EL15 ou EN-EL18, soit par 8 piles AA (alcalines, Ni-MH ou lithium) et dispose d'un autre déclencheur, d'une touche **AF-ON**, d'un sélecteur multidirectionnel ainsi que des sélecteurs de commande principal et secondaire pour prendre des photos à la verticale (portrait). Les options du menu de l'appareil photo permettent à l'utilisateur de choisir si l'appareil photo fonctionne d'abord grâce à son accumulateur ou grâce à la MB-D12 ; se reporter au manuel de l'appareil pour plus de détails.

La MB-D12 et les accessoires fournis

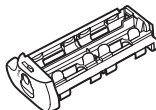
Vérifiez que les éléments suivants se trouvent bien avec votre MB-D12 (piles et accumulateurs vendus séparément).



MB-D12



Support MS-D12EN pour
accumulateur EN-EL15



Support MS-D12
pour piles AA



Étui pour porte-
accu/piles



Cache-
contacts

Le MS-D12EN est inséré dans la MB-D12 à la livraison. Se reporter à "Insertion des accumulateurs/piles" pour obtenir des informations sur le retrait du support pour accumulateur.

- Manuel d'utilisation (ce manuel)
- Garantie

Utilisation de l'adaptateur secteur EH-5a/EH-5b et du connecteur d'alimentation EP-5B (optionnels)

L'adaptateur secteur EH-5a/EH-5b et le connecteur d'alimentation EP-5B (optionnels) fournissent une source d'alimentation fiable lorsque vous utilisez l'appareil photo pendant des périodes prolongées. Pour utiliser un adaptateur secteur avec la poignée MB-D12, insérez le connecteur EP-5B dans le support pour accumulateur MS-D12EN comme décrit à la page 7, et branchez l'adaptateur EH-5a/EH-5b comme décrit dans la documentation fournie avec le connecteur EP-5B.

Utilisation du volet de logement pour accumulateur, BL-5 (optionnel)

Le volet de logement pour accumulateur, BL-5 (en option), est nécessaire en cas d'utilisation d'un accumulateur EN-EL18.



Volet de
logement pour
accumulateur BL-5

Descriptif de la MB-D12 (figure A)

- ① Cache-contacts
- ② Support pour le cache-contacts de l'appareil photo
- ③ Contacts d'alimentation/de communication
- ④ Touche **AF-ON**
- ⑤ Molette de commande principale
- ⑥ Sélecteur multidirectionnel
- ⑦ Molette de fixation
- ⑧ Volet du connecteur d'alimentation du support
- ⑨ Volet du logement pour accumulateur/piles
- ⑩ Logement pour accumulateur/piles
- ⑪ Loquet du logement pour accumulateur/piles
- ⑫ Vis de montage
- ⑬ Déclencheur
- ⑭ Verrouillage de commande
- ⑮ Molette de commande secondaire
- ⑯ Filetage de fixation sur trépied
- ⑰ Support MS-D12EN pour accumulateur EN-EL15
- ⑱ Contacts d'alimentation
- ⑲ Contacts d'alimentation (pour support MS-D12EN)
- ⑳ Support MS-D12 pour piles AA
- ㉑ Contacts d'alimentation (pour support MS-D12)
- ㉒ Volet de logement pour accumulateur, BL-5 (disponible séparément)

Déclencheur, sélecteur multidirectionnel, molettes de commande et touche AF-ON de la MB-D12

La MB-D12 est équipée d'un déclencheur (Figure A-⑬), d'un sélecteur multidirectionnel (Figure A-⑥), d'une molette de commande principale (Figure A-⑤), d'une molette de commande secondaire (Figure A-⑮) et d'une touche **AF-ON** (Figure A-④) permettant de photographier à la verticale (portrait). Ces commandes disposent des mêmes fonctions que leurs équivalents sur le boîtier. Reportez-vous au manuel d'utilisation de l'appareil photo pour en savoir plus.

Les modifications apportées aux réglages **Bouton central du sélecteur, Sélecteur multidirectionnel, Perso. molettes commande** et **Régler AF-ON pour MB-D12** du menu Réglages perso. (Groupe f) s'appliquent également au sélecteur multidirectionnel, aux molettes de commande et à la touche **AF-ON** de la MB-D12.

Le verrouillage de commande de la MB-D12

Le verrouillage de commande (Figure A-⑭) empêche toute utilisation involontaire des commandes de la MB-D12. Avant d'utiliser ces commandes pour prendre des photos en cadrage vertical (portrait), déverrouillez les commandes comme indiqué à droite.

Le verrouillage de commande ne coupe pas l'alimentation. Servez-vous du commutateur marche-arrêt de l'appareil photo pour allumer et éteindre l'appareil photo.



Verrouillage



Déverrouillage

Montage de la poignée-alimentation

Avant de monter la poignée-alimentation, assurez-vous que l'appareil photo est éteint et que le verrouillage de commande de la MB-D12 (figure A-14) est en position **L** (les illustrations représentent le D800).

- 1 Retirez le cache-contacts (Figure A-1) de la poignée.
- 2 Les contacts pour la MB-D12 se trouvent sous l'appareil photo où ils sont protégés par un cache-contacts. Retirez le cache-contacts comme indiqué dans la Figure B-1 et placez-le sur le support pour cache-contacts de la MB-D12 (Figure B-2).
- 3 Positionnez la poignée MB-D12 en alignant sa vis de montage (Figure C-2) avec le filetage de fixation sur trépied de l'appareil photo (Figure C-1) et bloquez l'ensemble en tournant la molette de fixation dans la direction indiquée par la flèche **LOCK** (Figure D). Il n'est pas nécessaire de retirer l'accumulateur de l'appareil photo avant de connecter la MB-D12. Par défaut, l'appareil photo n'utilise sa propre alimentation qu'une fois les piles ou l'accumulateur de la MB-D12 complètement déchargé(es). L'option **Ordre d'alimentation** dans le menu Réglages perso. de l'appareil photo (Groupe d) peut être utilisée pour modifier l'ordre dans lequel les alimentations sont utilisées.

Veillez à placer le cache-contacts de l'appareil photo sur le support pour cache-contacts et gardez celui de la poignée MB-D12 dans un endroit sûr pour éviter de le perdre.

Un espaceur PB-6D et une bague allonge PK-13 sont nécessaires en cas d'utilisation d'un soufflet PB-6 avec la MB-D12.


Retrait de la poignée-alimentation

Pour retirer la MB-D12, mettez l'appareil photo hors tension et le verrouillage de commande de la MB-D12 sur **L**, desserrez la molette de fixation et retirez la MB-D12. Veillez à bien remettre en place les cache-contacts de l'appareil photo et de la MB-D12 lorsque la poignée d'alimentation n'est plus utilisée.




Insertion des accumulateurs/piles




La MB-D12 peut être alimentée par un accumulateur EN-EL15 ou EN-EL18 ou par 8 piles AA. Un volet de logement pour accumulateur BL-5 (disponible séparément) est nécessaire en cas d'utilisation d'un accumulateur EN-EL18.

Avant l'insertion de l'accumulateur/des piles, vérifiez que l'appareil est éteint et que le verrouillage de commande de la MB-D12 est en position **L**.

1 Tournez le loquet du logement pour accumulateur/piles de la MB-D12 sur  et retirez le support pour piles ou accumulateur (Figure E).

2 Installez l'accumulateur ou les piles comme indiqué ci-dessous.

EN-EL15 : Alignez les encoches de l'accumulateur avec les parties saillantes du support MS-D12EN, insérez l'accumulateur avec la flèche () sur l'accumulateur orientée vers les contacts d'alimentation du support (Figure F-). Appuyez légèrement sur l'accumulateur et faites-le glisser dans le sens indiqué par la flèche jusqu'à ce que ses contacts d'alimentation s'encliquent en position (Figure F-).




EN-EL18 : Si le loquet de déverrouillage de l'accumulateur sur le volet de logement pour accumulateur BL-5 optionnel est positionné de telle sorte que la flèche  est visible, faites glisser ce loquet pour que la flèche disparaisse (Figure G-). Insérez les deux ergots de l'accumulateur dans les fentes correspondantes sur le BL-5 (Figure G-) et vérifiez que le loquet de déverrouillage de l'accumulateur est bien sur le côté et laisse apparaître la flèche.

Piles AA : Installez huit piles AA dans le support MS-D12 comme indiqué dans la Figure H, en veillant à insérer les piles dans le bon sens.

3 Insérez le support pour piles ou accumulateur dans la MB-D12 et verrouillez le volet du logement pour accumulateur/piles (Figure I). Vérifiez que le support pour piles ou accumulateur est complètement enfoncé avant de tourner le loquet.

4 Mettez l'appareil photo sous tension et vérifiez le niveau de charge sur l'écran de contrôle ou dans le viseur. Si l'appareil ne se met pas sous tension, vérifiez que l'accumulateur ou les piles sont correctement insérés.

Le connecteur d'alimentation EP-5B

Pour utiliser le connecteur d'alimentation EP-5B, insérez-le dans le support pour accumulateur MS-D12EN en positionnant la flèche () du connecteur vers les contacts d'alimentation du support. Appuyez doucement sur le connecteur et faites-le glisser dans le sens de la flèche jusqu'à ce que les contacts d'alimentation s'encliquent en position (Figure J-). Ouvrez le volet du connecteur d'alimentation du support et faites passer le câble d'alimentation du EP-5B à travers l'ouverture (Figure J-).

Charge des accumulateurs/piles

L'appareil affiche le niveau de charge de la façon suivante :

Accumulateur EN-EL15/EN-EL18

| Écran de contrôle | Viseur | Description |
|-------------------|--------|---|
| | — | Accumulateur entièrement chargé. |
| | — | Accumulateur partiellement déchargé. |
| | | |
| | | Niveau de charge faible. Préparez un accumulateur de recharge entièrement chargé ou rechargez l'accumulateur. |
| | | Accumulateur déchargé. Rechargez ou remplacez l'accumulateur. |

Piles AA

| Écran de contrôle | Viseur | Description |
|-------------------|--------|---|
| | — | Charge restante. |
| | | Niveau de charge faible. Préparez des piles neuves. |
| | | Piles déchargées. Déclencheur désactivé. |

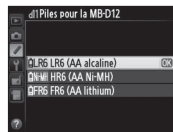
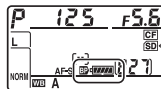
Une option dans le Groupe d du menu Réglages perso. de l'appareil photo peut être utilisée pour modifier l'ordre dans lequel les piles sont utilisées. Lorsque l'appareil photo s'alimente à partir de la MB-D12, l'icône **BP** est affichée sur le panneau de commande. Si l'icône **BP** clignote, le volet de logement pour accumulateur n'est pas verrouillé. Fermez et verrouillez le volet de logement pour accumulateur.

Pour être sûr que l'appareil photo indique bien le niveau de charge correct en cas d'utilisation de piles AA, sélectionnez l'option appropriée pour

Piles pour la MB-D12 dans le menu Réglages perso. de l'appareil (Groupe d). Si une option incorrecte est sélectionnée, l'appareil risque de ne pas fonctionner correctement.

| Option | Type de pile |
|--------------------------|--------------------|
| LR6 (AA alcaline) | AA alcalines (LR6) |
| HR6 (AA Ni-MH) | AA NiMH (HR6) |
| FR6 (AA lithium) | AA lithium (FR6) |

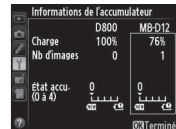
Retirez les accumulateurs/piles lorsque vous n'utilisez pas la MB-D12.



Informations de l'accumulateur

Les informations concernant les accumulateurs (notamment les informations sur l'étalonnage de l'accumulateur EN-EL18) peuvent être visualisées


sur le menu Configuration de l'appareil photo (l'accumulateur de l'appareil apparaît sur la gauche, et celui de la MB-D12 sur la droite). Seule l'icône du niveau de l'accumulateur s'affiche lorsque des piles AA sont utilisées. Se reporter au manuel de l'appareil pour plus de détails.



Remarque : Les illustrations sur cette page concernent le D800.

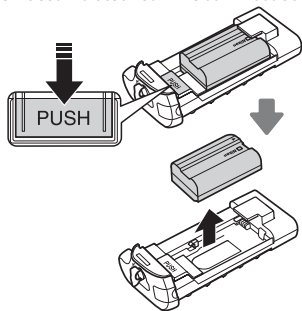
Retrait des accumulateurs/piles

Veillez à ne pas faire tomber les accumulateurs ou le support pour piles ou accumulateur.

- 1 Tournez le loquet du logement pour accumulateur/piles de la MB-D12 sur  et retirez le support pour piles ou accumulateur (Figure E).
- 2 Retirez l'accumulateur ou les piles.

EN-EL15

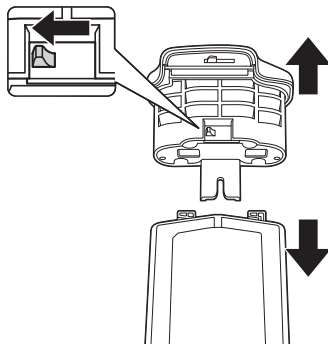
Tout en appuyant sur la touche **PUSH**, faites glisser l'accumulateur vers elle. Vous pouvez ensuite retirer l'accumulateur comme sur l'illustration.



La procédure pour retirer le connecteur d'alimentation EP-5B est la même que pour le EN-EL15.

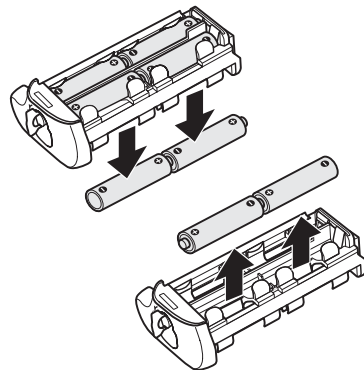
EN-EL18

Faites glisser le loquet de déverrouillage dans le sens de la flèche (←) et retirez le volet du logement de l'accumulateur.



Piles AA

Retirez les piles comme indiqué en veillant à ne pas les faire tomber.



Caractéristiques

| | |
|--------------------------------------|--|
| Alimentation | Un accumulateur Li-ion EN-EL15 ou EN-EL18, huit piles AA alcalines LR6, Ni-MH HR6 ou lithium FR6, ou encore un adaptateur secteur EH-5b/EH-5a/EH-5 (nécessitant le connecteur d'alimentation EP-5B) |
| Température de fonctionnement | 0 – 40 °C |
| Dimensions (L × H × P) | 151 × 50 × 81 mm environ |
| Poids | Environ 365 g avec le MS-D12EN et un accumulateur optionnel EN-EL15 Environ 460 g avec le MS-D12 et huit piles AA (disponibles auprès d'autres fournisseurs) Environ 310 g avec le MS-D12EN et le connecteur d'alimentation optionnel EP-5B Environ 425 g avec le BL-5 et un accumulateur EN-EL18 (en option) Environ 280 g avec le MS-D12EN Environ 270 g avec le MS-D12 |

Les caractéristiques et la conception peuvent être modifiées sans préavis.

Accumulateurs EN-EL15 et EN-EL18

Les performances des accumulateurs EN-EL15 et EN-EL18 diminuent aux températures inférieures à environ 10°C. Assurez-vous que l'accumulateur est entièrement rechargé et gardez au chaud un accumulateur de rechange à portée de main au cas où il faudrait le remplacer. Les accumulateurs refroidis retrouveront un peu d'énergie s'ils sont réchauffés.

Piles AA

En raison de leur capacité limitée, les piles alcalines AA LR6 ne doivent être utilisées que lorsqu'aucune autre alternative n'est disponible.

La capacité des piles AA varie selon les conditions de fabrication et de stockage et peut s'avérer parfois extrêmement faible ; il peut arriver que les piles AA cessent de fonctionner avant leur date d'expiration. Notez que la capacité des piles AA peut chuter aux températures inférieures à 20 °C. Leur utilisation n'est pas recommandée à basse température.

Cadence de prise de vue

L'accumulateur EN-EL18 et les piles AA permettent des cadences de prise de vue supérieures à celles obtenues avec l'accumulateur EN-EL15; à noter cependant qu'avec des piles AA, la cadence de prise de vue chute à basse température ou lorsque la charge des piles est faible. Pour en savoir plus sur les cadences de prise de vue, reportez-vous au manuel d'utilisation de l'appareil photo.

Pack de baterías múltiple MB-D12

Manual del usuario

Tabla de contenido

| | |
|---|----|
| Precauciones de seguridad | 2 |
| Aviso para los clientes en Europa | 2 |
| Precauciones de uso | 2 |
| Introducción | 4 |
| La MB-D12 y Accesorios | 4 |
| La MB-D12 y Accesorios suministrados..... | 4 |
| Usar el adaptador EH-5a/EH-5b CA opcional y el conector a la red eléctrica EP-5B..... | 4 |
| Uso de la tapa del compartimento de la batería BL-5 opcional | 4 |
| Partes de la MB-D12 | 5 |
| El disparador, el multiselector, los diales de control, y el botón AF-ON del MB-D12 | 5 |
| MB-D12 Bloqueo del control | 5 |
| Uso de la unidad de alimentación | 6 |
| Montaje de la unidad de alimentación | 6 |
| Extracción de la unidad de alimentación | 6 |
| Introducción de las baterías | 7 |
| Extracción de las baterías..... | 9 |
| Especificaciones | 10 |

Precauciones de seguridad

Para asegurarse de que hace un uso correcto, lea completamente este manual antes de utilizar el producto. Después de leerlo, asegúrese de guardarlo en un lugar donde puedan consultarlo todas las personas que utilicen el producto.

Es

Aviso para los clientes en Europa

PRECAUCIÓN

RIESGO DE EXPLOSIÓN SI LA BATERÍA ES REEMPLAZADA POR EL TIPO INCORRECTO. DESECHE LAS BATERÍAS UTILIZADAS DE ACUERDO A LAS INSTRUCCIONES.

Este símbolo indica que este producto se debe desechar por separado.



La nota siguiente corresponde únicamente a los usuarios de los países europeos:

- Este producto se ha diseñado para desecharlo por separado en un punto de recogida de residuos adecuado. No lo tire con la basura doméstica.
- Para obtener más información, puede ponerse en contacto con el vendedor o con las autoridades locales encargadas de la gestión de residuos.

Precauciones de uso

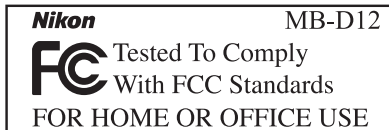
- La MB-D12 se debe utilizar solamente con cámaras compatibles.
- No la utilice con baterías ni portabaterías que no estén recomendadas en este manual.
- Para evitar que los objetos metálicos originen un cortocircuito al entrar en contacto con los terminales, vuelva a colocar la tapa de los contactos cuando no utilice la MB-D12.
- Cuando retire el portabaterías del MB-D12, quite las baterías o coloque el portabaterías o la tapa en la caja para evitar cortocircuitos provocados por entrar en contacto con otros objetos metálicos.
- La lámpara de acceso de la tarjeta de memoria podría encenderse al insertar la MB-D12 o al quitar de la cámara, pero esto no significa un mal funcionamiento.
- Si notara que la unidad de alimentación desprende humo o un ruido u olor inusuales, deje de utilizarla inmediatamente. Cuando haya retirado las baterías, lleve el dispositivo al vendedor o a un servicio técnico autorizado Nikon para su revisión.
- La MB-D12 no tiene interruptor de corriente. Utilice el interruptor de la cámara para encenderla o apagarla.

✓ Avisos para los clientes de EE.UU.

Declaración de interferencias con radiofrecuencias de la Comisión Federal de Comunicaciones (FCC)

Este equipo ha sido probado y se ajusta a los límites establecidos para los aparatos digitales de la clase B, según la sección 15 de las normas de la FCC. Estos límites se han establecido para proporcionar una protección razonable contra interferencias peligrosas en instalaciones residenciales. Este equipo genera, utiliza y puede emitir radiofrecuencias, y si no se instala y utiliza como indican las instrucciones, puede causar interferencias en las comunicaciones por radio. Sin embargo, no se puede garantizar que no se produzcan interferencias en una instalación en concreto. Si este aparato causa interferencias en la recepción de la televisión o la radio, lo cual puede comprobarse encendiendo y apagando el equipo, se ruega al usuario que intente corregir las interferencias tomando alguna de las siguientes medidas:

- Reorientar o colocar en otro lugar la antena de recepción.
- Aumentar la separación entre el equipo y el aparato receptor.
- Conecte el equipo a una toma de un circuito distinto a aquél al que el receptor esté conectado.
- Consulte al proveedor o a un técnico de radio/televisión experimentado.



PRECAUCIONES

Modificaciones: La FCC exige que se notifique al usuario que cualquier cambio o modificación realizado en este aparato que no haya sido aprobado expresamente por Nikon Corporation podría invalidar el derecho del usuario a utilizar el equipo.

Nikon Inc.,

1300 Walt Whitman Road, Melville, New York
11747-3064, EE.UU.

Tel.: 631-547-4200

✓ Avisos para los clientes de Canadá

PRECAUCIÓN

Este aparato digital de tipo B cumple con la norma canadiense ICES-003.

ATTENTION

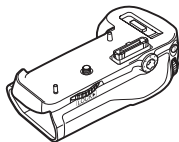
Cet appareil numérique de la classe B est conforme à la norme NMB-003 du Canada.

Es

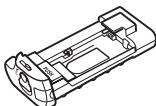
Queremos agradecer su compra del pack de baterías múltiple MB-D12 para utilizarse con todas las cámaras digitales réflex de objetivo único Nikon que indican el MB-D12 como accesorio compatible en el manual de la cámara. El MB-D12 utiliza una batería recargable EN-EL15 o EN-EL18 u ocho baterías AA (alcalinas, Ni-MH, o de litio) e incluye un disparador, un botón **AF-ON**, un multiselector, y diales principal y secundario alternativos para la realización de fotografías en orientación "vertical" (retrato). Las opciones del menú de la cámara permiten al usuario seleccionar si se utiliza primero la batería de la cámara o las baterías en el MB-D12; consulte el manual de la cámara para más detalles.

La MB-D12 y Accesorios suministrados

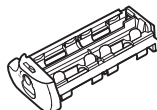
Confirme que los siguientes artículos se hayan suministrado con la MB-D12 (las baterías se venden por separado).



MB-D12



Soporte MS-D12EN
para baterías EN-EL15



Soporte MS-D12
para baterías AA



Estuche del
soporte



Tapa de los
contactos

La MS-D12EN se encuentra ya insertada en la MB-D12 al momento de embarque. Consulte "Introducción de las baterías" para leer la información de como quitar el portabaterías.

- Manual del Usuario (este manual)
- Garantía

Usar el adaptador EH-5a/EH-5b CA opcional y el conector a la red eléctrica EP-5B

El adaptador opcional EH-5a/EH-5b CA y el conector a la red eléctrica EP-5B suministran una fuente de energía fiable cuando se usa la cámara durante largos períodos. Para usar un adaptador CA con la MB-D12, inserte el EP-5B dentro del portabaterías MS-D12EN tal y como se describe en la página 7, y luego conecte el EH-5a/EH-5b tal y como se describe en la documentación provista con el EP-5B.

Uso de la tapa del compartimento de la batería BL-5 opcional

Al utilizar baterías EN-EL18 necesitará una tapa del compartimento de la batería BL-5 (disponible por separado).



Tapa del
compartimento de la
batería BL-5

Partes de la MB-D12 (Figura A)

- ① Tapa de los contactos
- ② Soporte para la cubierta de contactos de la cámara
- ③ Contactos de la energía/señal
- ④ Botón **AF-ON**
- ⑤ Dial de control principal
- ⑥ Multiselector
- ⑦ Rueda de fijación
- ⑧ Tapa del conector de alimentación del portabaterías
- ⑨ Tapa del compartimento de las baterías
- ⑩ Compartimento de las baterías
- ⑪ Pestillo del compartimento de las baterías
- ⑫ Tornillo de montaje
- ⑬ Disparador
- ⑭ Bloqueo del control
- ⑮ Dial de control secundario
- ⑯ Rosca para el trípode
- ⑰ Soporte MS-D12EN para baterías EN-EL15
- ⑱ Terminales de corriente (Portabaterías MS-D12EN)
- ⑳ Soporte MS-D12 para baterías AA
- ㉑ Terminales de corriente (Portabaterías MS-D12)
- ㉒ Tapa del compartimento de la batería BL-5 (disponible por separado)

El disparador, el multiselector, los diales de control, y el botón AF-ON del MB-D12

El MB-D12 está equipado con un disparador (Figura A-⑬), un multiselector (Figura A-⑥), un dial de control principal (Figura A-⑤), un dial secundario (Figura A-⑮), y un botón **AF-ON** (Figura A-④) para utilizarse al tomar fotografías en orientación vertical (“vertical” o retrato). Estos controles realizan las mismas funciones que las correspondientes a los controles de la cámara. Para más información, consulte el manual de la cámara.

Los cambios en el **Botón central multiselector, Multiselector, Personalizar diales control, y Asignar AF-ON de MB-D12** en el menú configuración personalizada de la cámara (grupo f) también son aplicables al multiselector, diales de control y el botón **AF-ON** en el MB-D12.

MB-D12 Bloqueo del control

El bloqueo de control (Figura A-⑭) bloquea los controles en la MB-D12 para prevenir un uso no intencionado. Antes de utilizar estos controles para tomar fotografías en orientación vertical (retrato), libere el bloqueo como se muestra a la derecha.

El bloqueo de control no es un interruptor de energía. Utilice el interruptor de alimentación para encender y apagar la cámara.



Bloqueado



Desbloqueado

Montaje de la unidad de alimentación

Antes de montar la unidad de alimentación, asegúrese de que la cámara esté apagada y que el bloqueo del control de la MB-D12 (Figura A-14) está en la posición **L** (la ilustración muestra la D800).

Es

- 1 Retire la tapa de los contactos (Figura A-1) del paquete de baterías.
- 2 Los contactos para la MB-D12 se encuentran en la base de la cámara, donde se encuentran protegidos por una cubierta de contactos. Retire la tapa de contactos como se muestra en la Figura B-1 y colóquela en el soporte de tapa de contactos en la MB-D12 (Figura B-2).
- 3 Coloque la MB-D12, manteniendo alineado el tornillo de montaje (Figura C-2) con la rosca para el trípode de la cámara (Figura C-1) y apriete la rueda accesoria girándola en la dirección mostrada por la flecha **LOCK** (Figura D). No hay necesidad de quitar la batería de la cámara antes de conectar la MB-D12. En los ajustes predeterminados, la batería insertada en la cámara se utilizará solamente después de que se ha agotado la batería en la MB-D12. La opción **Orden de baterías** en el menú de ajustes personalizados (Grupo d) se puede utilizar para cambiar el orden en el cual las baterías se van a utilizar.

Asegúrese de colocar la tapa de contacto de la cámara en el soporte de la tapa y para mantener la tapa de contacto de la MB-D12 en un lugar seguro para evitar que se pierda.

Al utilizar el accesorio para enfoque con fuelle PB-6 con el MB-D12, será necesario un anillo de extensión automático PK-13 y PB-6D.


Extracción de la unidad de alimentación

Para quitar la MB-D12, apague la cámara y establezca el bloqueo de control en la MB-D12 en **L**, después afloje la rueda de fijación y retire la MB-D12. Asegúrese de colocar la cubierta de contactos en la cámara y la tapa de contactos en la MB-D12 cuando el paquete de baterías no se utilice.

Introducción de las baterías

El MB-D12 podrá utilizarse con una batería recargable de ión de litio EN-EL15 o EN-EL18, o con ocho baterías AA. Al utilizar una batería EN-EL18 necesitará una tapa del compartimento de la batería BL-5 (disponible por separado).

Antes de insertar las baterías, asegúrese de que la cámara se encuentre apagada y de que el bloqueo de control de la MB-D12 se encuentre en la posición **L**.

- 1 Gire el pestillo del compartimento de las baterías de la MB-D12 en  y quite el portabaterías (Figura E).
- 2 Coloque las baterías como se describe a continuación.

EN-EL15: Coincidiendo las hendiduras de la batería con las proyecciones en el soporte MS-D12EN, inserte la batería con la flecha (▲) en la batería hacia los terminales de corriente de la batería (Figura F-①). Presione ligeramente la batería hacia abajo y deslícela en la dirección de la flecha hasta que los terminales de corriente hagan clic (Figura F-②).

EN-EL18: Si la liberación de la batería de la tapa opcional del compartimento de la batería BL-5 está colocada de tal manera que se visualice la flecha <, deslice la liberación de la batería para tapar la flecha (figura G-①). Introduzca las dos proyecciones de la batería en las correspondientes ranuras de la BL-5 (figura G-②) y confirme que la liberación de la batería se ha deslizado lo suficiente como para mostrar la flecha.

Baterías AA: Coloque ocho baterías AA en el soporte de batería MS-D12 tal y como se indica en la figura H, y asegúrese de que las baterías estén colocadas en la orientación correcta.

- 3 Inserte el portabaterías en la MB-D12 y coloque la tapa del compartimento de las baterías (Figura I). Asegúrese de que el soporte esté completamente insertado antes de girar el pestillo.
- 4 Encienda la cámara y verifique el nivel de la batería en el panel de control o en el visor. Si no enciende la cámara, verifique que la batería se encuentre correctamente insertada.

El conector de alimentación EP-5B

Cuando utilice el conector de alimentación EP-5B, insértelo en el portabaterías MS-D12EN con la flecha (▲) en el conector hacia el terminal de alimentación de la batería. Pulse el conector ligeramente hacia abajo y deslícelo en la dirección de la flecha hasta que el terminal de alimentación haga clic al encajar en su sitio (Figura J-①). Abra la tapa del conector de alimentación del portabaterías y pase el cable EP-5B a través de la apertura (Figura J-②).

Nivel de la batería

La cámara muestra el nivel de la batería de la manera siguiente:

Batería EN-EL15/EN-EL18

| Panel de control | Visor | Descripción |
|------------------|-------|---|
| | — | La batería está totalmente cargada. |
| | — | La batería está parcialmente descargada. |
| | | Batería agotándose. Prepare una batería de repuesto totalmente cargada o cargue la batería. |
| | | Batería agotada. Cargue o sustituya la batería. |

Baterías AA

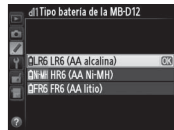
| Panel de control | Visor | Descripción |
|------------------|-------|---|
| | — | Carga restante. |
| | | Baterías agotándose. Prepare las baterías de repuesto. |
| | | Las baterías se han agotado. El disparador está inhabilitado. |

Se puede utilizar una opción en el Grupo d en el menú de ajustes personalizados de la cámara para cambiar el orden en el que se van a utilizar las baterías. Cuando la cámara utiliza energía de la MB-D12, se muestra un icono **BP** en el panel de control. Si el icono **BP** parpadea, la tapa del compartimento de la batería no está cerrada. Cierre y pase el pestillo a la tapa del compartimento de la batería.

Para asegurarse de que la cámara muestra el nivel correcto de la batería al utilizar las baterías AA, seleccione la opción adecuada para **Tipo batería de la MB-D12** en el menú de ajustes personalizados de la cámara (Grupo d). Si no se selecciona la opción correcta, la cámara podría no funcionar como se espera.

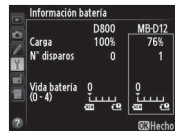
| Opción | Tipo de pila |
|------------------------------|-------------------|
| LR6 LR6 (AA alcalina) | Alcalina (LR6) AA |
| HR6 HR6 (AA Ni-MH) | NiMH (HR6) AA |
| FR6 FR6 (AA litio) | Litio (FR6) AA |

Retire las baterías cuando no utilice la MB-D12.



Información batería


La información de batería (incluyendo información sobre la calibración para las baterías EN-EL18) podrá ser visualizada en el menú de configuración de la cámara (la batería de la cámara está listada a la izquierda, el MB-D12 a la derecha). Solamente se muestra el icono del nivel de la batería cuando se utilizan baterías AA. Consulte el manual de la cámara para más detalles.



Nota: Las ilustraciones de esta página son de la D800.

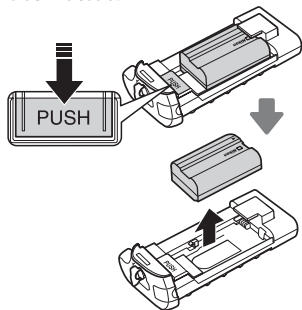
Extracción de las baterías

Tenga cuidado de no dejar caer las baterías o el portabaterías.

- 1 Gire el pestillo del compartimento de las baterías de la MB-D12 en  y quite el portabaterías (Figura E).
- 2 Quite la batería o las baterías del portabaterías.

EN-EL15

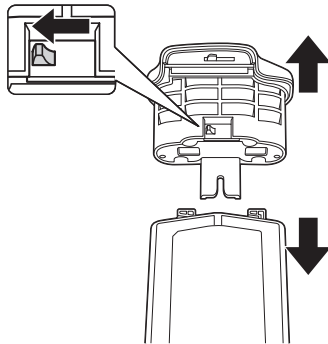
Al pulsar el botón **PUSH**, deslice la batería hacia el botón. La batería puede quitarse como se muestra.



El procedimiento para quitar el conector de alimentación EP-5B es el mismo que para el EN-EL15.

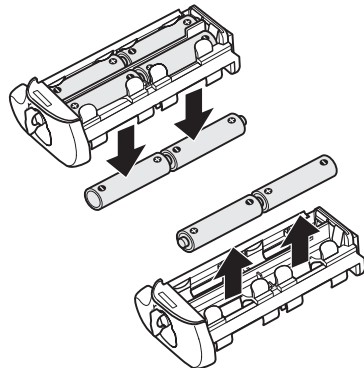
EN-EL18

Deslice la liberación de la batería en la dirección indicada por la flecha () y extraiga la tapa del compartimento de la batería.



Baterías AA

Quite las baterías como se muestra. Tenga cuidado de no dejar caer las baterías al quitarlas del portabaterías.



Especificaciones

| | |
|--------------------------------------|---|
| Fuente de alimentación | Una batería recargable de ión de litio EN-EL15 o EN-EL18, ocho LR6 alcalinas, HR6 Ni-MH, o baterías de litio FR6 AA, o un adaptador de CA EH-5b/EH-5a/EH-5 (necesita un conector a la red eléctrica EP-5B) |
| Temperatura de funcionamiento | 0 – 40 °C |
| Dimensiones (an × al × pr) | 151 × 50 × 81 mm aprox. |
| Peso | Aprox. 365 g con MS-D12EN y la batería opcional EN-EL15 Aprox. 460 g con MS-D12 y ocho baterías AA (disponible por separado en terceros proveedores) Aprox. 310 g con MS-D12EN y el conector a la red eléctrica opcional EP-5B Aprox. 425 g con la batería opcional BL-5 y EN-EL18 Aprox. 280 g con MS-D12EN Aprox. 270 g con MS-D12 |

Las especificaciones y el diseño pueden cambiar sin notificación previa.

Baterías EN-EL15 y EN-EL18

El rendimiento de las baterías EN-EL15 y EN-EL18 cae a temperaturas por debajo de los 10 °C. Asegúrese de que la batería esté completamente cargada y mantenga lista una batería de repuesto a temperatura ambiente para cambiarla si es necesario. Las baterías frías recuperan algo de su carga al calentarlas.

Baterías AA

Debido a su capacidad limitada, las baterías alcalinas AA LR6 deberán utilizarse solamente cuando no tenga otra alternativa.

La capacidad de las baterías AA depende de las condiciones de almacenamiento y podría ser extremadamente baja en algunas ocasiones; en algunos casos, las baterías AA podrían dejar de funcionar antes de la fecha de expiración. Tenga en cuenta que la capacidad de las baterías AA podría disminuir a temperaturas inferiores a 20 °C. No se recomienda el uso a bajas temperatura.

Velocidad de grabación avanzada

Las baterías EN-EL18 y AA son compatibles con velocidades de grabación más avanzadas que las de la EN-EL15; sin embargo, tenga en cuenta que en el caso de las baterías AA la velocidad de grabación avanzada se reduce a bajas temperaturas o si la carga de las baterías es baja. Para más información sobre las velocidades de grabación avanzadas, consulte el manual de la cámara.

Multi-power-batteripakke MB-D12

Bruksanvisning

Innholdsfortegnelse

| | |
|--|---|
| Sikkerhetsregler..... | 2 |
| Melding til forbrukere i Europa | 2 |
| Sikkerhetsregler for bruk..... | 2 |
| Innledning..... | 3 |
| MB-D12 og ekstrastyr..... | 3 |
| MB-D12 og medfølgende ekstrastyr..... | 3 |
| Bruke nettadapteren EH-5a/EH-5b og strømforsyningen EP-5B (ekstrastyr)..... | 3 |
| Bruke batteridekslet BL-5 (ekstrastyr)..... | 3 |
| Deler på MB-D12 | 4 |
| MB-D12s utløser, multivelger, kommandohjul og AF-ON-knapp..... | 4 |
| MB-D12-kontrollås | 4 |
| Bruke batteripakken | 5 |
| Feste batteripakken..... | 5 |
| Fjerne batteripakken | 5 |
| Sette inn batterier | 6 |
| Ta ut batterier | 8 |
| Spesifikasjoner | 9 |

Sikkerhetsregler

For å sikre korrekt bruk må du lese denne bruksanvisningen nøye før du bruker produktet. Etter at du har lest den, må den oppbevares tilgjengelig for alle som bruker produktet.

Melding til forbrukere i Europa

FORSIKTIG

EKSPLOSJONSFARE DERSOM BATTERI BYTTES MED FEIL TYPE. KAST BRUKTE BATTERIER I HENHOLD TIL INSTRUKSJONENE.

Dette symbolet angir at dette produktet skal kasseres separat.



Det følgende gjelder bare for kunder i europeiske land:

- Dette produktet skal behandles som spesialavfall og kastes ved en miljøstasjon. Må ikke kasseres sammen med husholdningsavfall.
- Hvis du vil ha mer informasjon, kontakter du forhandleren eller de lokale myndighetene som har ansvaret for avfallshåndtering.

Sikkerhetsregler for bruk

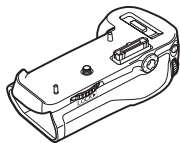
- MB-D12 må kun brukes med kompatible kameraer.
- Ikke bruk batterier og batteriholdere som ikke er anbefalt i denne bruksanvisningen.
- For å forhindre elektrisk kortslutning som følge av at metall kommer i kontakt med strømkontaktene, må kontaktlokket settes på når MB-D12 ikke er i bruk.
- Ta ut batteriene eller plasser holderen eller dekslet i holderetuiet, når en batteriholder fjernes fra MB-D12, for å forhindre elektrisk kortslutning forårsaket av kontakt med metall.
- Lampen for minnekortaktivet kan begynne å lyse når MB-D12 kobles til eller fjernes fra kameraet, men dette er ikke en feilfunksjon.
- Avslutt bruken umiddelbart dersom du skulle oppdage røyk eller en uvanlig lukt eller støy fra batteripakken. Etter at du har tatt ut batteriene, må du ta med apparatet til forhandleren eller en Nikon-autorisert servicerepresentant for undersøkelse.
- MB-D12 er ikke utstyrt med en strømbryter. Bruk kameraets strømbryter for å slå på eller av strømmen.

Takk for at du kjøpte en MB-D12 multi-power-batteripakke til bruk med alle Nikon speilreflekskameraer som nevner MB-D12 som et kompatibelt tilbehør i kameraets bruksanvisning. MB-D12 tar ett EN-EL15 eller EN-EL18 oppladbart batteri eller åtte AA-batterier (alkaliske, Ni-MH eller litium) og har en alternativ utløser, **AF-ON**-knapp, multivelger samt hoved- og underkommandohjul for å kunne ta bilder i høydeformat (portrett). Kameraets menyvalg lar deg velge om kameraets batteri eller batteriene i MB-D12 skal brukes først; se kameraets bruksanvisning for detaljer.

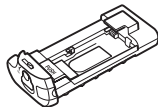
MB-D12 og ekstraustyr

MB-D12 og medfølgende ekstraustyr

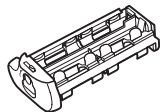
Bekreft at følgende deler leveres sammen med MB-D12 (batterier selges separat).



MB-D12



MS-D12EN-holder for
EN-EL15 batterier



MS-D12-holder for
AA-batterier



Holderetui



Kontaktlokk

MS-D12EN er montert i MB-D12 når den forlater fabrikk. Se "Sette inn batterier" for informasjon om hvordan du tar ut batteriholderen.

- Bruksanvisning (denne bruksanvisningen)
- Garanti

Bruke nettadapteren EH-5a/EH-5b og strømforsyningen EP-5B (ekstraustyr)

Nettadapteren EH-5a/EH-5b og strømforsyningen EP-5B er ekstraustyr som gir en pålitelig strømkilde når kameraet brukes i lengre perioder. For å bruke en nettadapter med MB-D12, koble til EP-5B i batteriholderen MS-D12EN som beskrevet på side 6, og koble så til EH-5a/EH-5b som beskrevet i dokumentasjonen som følger med EP-5B.

Bruke batteridekslet BL-5 (ekstraustyr)

Et BL-5 batterideksel (ekstraustyr) kreves når det brukes EN-EL18-batterier.



Batteri-dekslet BL-5

Deler på MB-D12 (Figur A)

- ① Kontaktlokk
- ② Holder for kameraets kontaktdeksel
- ③ Strøm-/signalkontakter
- ④ **AF-ON**-knapp
- ⑤ Hovedkommandohju
- ⑥ Multivelger
- ⑦ Tilkoblingshjul
- ⑧ Holderens deksel for strømkontakt
- ⑨ Batterideksel
- ⑩ Batterikammer
- ⑪ Batterilås
- ⑫ Festeskruer
- ⑬ Utløser
- ⑭ Kontrollås
- ⑮ Underkommandohjul
- ⑯ Stativfeste
- ⑰ MS-D12EN-holder for EN-EL15-batterier
- ⑱ Strømkontakter
- ⑲ Strømkontakter (MS-D12EN-batteriholder)
- ⑳ MS-D12-holder for AA-batterier
- ㉑ Strømkontakter (MS-D12-batteriholder)
- ㉒ Batterideksel BL-5 (ekstrautstyr)

MB-D12s utløser, multivelger, kommandohjul og AF-ON-knapp

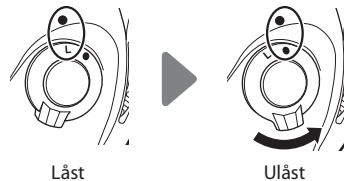
MB-D12 er utstyrt med en utløser (Figur A-⑬), en multivelger (Figur A-⑥), et hovedkommandohjul (Figur A-⑤), et underkommandohjul (Figur A-⑮) og en **AF-ON**-knapp (Figur A-④) for bruk når du tar bilder i vertikal (høydeformat eller stående) orientering. Disse kontrollene utfører de samme funksjonene som de tilsvarende kontrollene på kameraet. Se kameraets bruksanvisning for mer informasjon.

Endringene for **Midtre multivelgerknapp, Multivelger**, knappen **Tilpass kommandohjulene** samt **Tildel kn. AF-ON på MB-D12** i kameraets meny for egendefinerte innstillinger (gruppe f) gjelder også for multivelgeren, kommandohjulene og knappen **AF-ON** på MB-D12.

MB-D12-kontrollås

Kontrollåsen (Figur A-⑭) låser kontrollene på MB-D12 for å forhindre utilsiktet bruk. Før du bruker disse kontrollene til å ta bilder i vertikal (stående) orientering, må du frigjøre låsen som vist til høyre.

Kontrollåsen er ikke en strømbryter. Bruk kameraets strømbryter for å slå kameraet på eller av.



Bruke batteripakken

Feste batteripakken

Før du fester batteripakken, må du sjekke at kameraet er slått av og at MB-D12s kontrollås (Figur A-⑭) er i **L**-posisjonen (illustrasjonene viser D800).

- 1 Fjern kontaktlokket (Figur A-①) fra batteripakken.
- 2 Kontaktene for MB-D12 er i bunnen av kameraet og beskyttes av et kontaktdeksel. Fjern kontaktdekslet som vist i Figur B-① og plasser det i kontaktdekslets holder på MB-D12 (Figur B-②).
- 3 Sett inn MB-D12 mens du holder MB-D12s festeskruer (Figur C-②) på linje med kameraets stativfeste (Figur C-①), og stram festehjulet ved å vri det i retningen som **LOCK**-pilen viser (Figur D). Du trenger ikke å ta ut batteriet fra kameraet før du kobler til MB-D12. Som standardinnstilling brukes batteriet som er satt inn i kameraet bare etter at batteriet i MB-D12 er tømt. Alternativet **Rekkefølge for batterier** i kameraets meny for egendefinerte innstillinger (Gruppe D) kan brukes for å endre rekkefølgen som batteriene blir brukt.

Vær nøye på å plassere kameraets kontaktdeksel i kontaktdekselholderen, og oppbevar MB-D12s kontaktlokk på en trygg plass slik at du ikke mister det.

En PB-6D og en PK-13 automatisk mellomring er nødvendig når du bruker belgutstyret PB-6 sammen med MB-D12.

Fjerne batteripakken

For å ta av MB-D12, slår du av kameraet, og setter kontrollåsen på MB-D12 til **L**. Så løsner du festehjulet og fjerner MB-D12. Sett på kontaktdekslet på kameraet igjen, og kontaktlokket på MB-D12 når batteripakken ikke er i bruk.

No

Sette inn batterier

MB-D12 kan brukes sammen med et EN-EL15 eller EN-EL18 oppladbart litium-ion batteri eller med åtte AA-batterier. Et BL-5 batterideksel (ekstrautstyr) kreves når det brukes et EN-EL18 batteri.

Sjekk at kameraet er av og at MB-D12s kontrollås er i **L**-posisjonen før du setter inn batteriene.

1 Vri MB-D12s batterilås til **C** og ta ut batteriholderen (Figur E).

No **2** Klargjør batteriene som forklart nedenfor.

EN-EL15: Pass sammen fordypningene i batteriet med utspringene på MS-D12EN-holderen, og sett inn batteriet med pilen (▲) på batteriet mot batteriholderens strømkontakter (Figur F-**1**). Trykk batteriet lett nedover og skyv det i pilens retning til strømkontaktene klikker på plass (Figur F-**2**).

EN-EL18: Dersom batteriutløseren på BL-5-batteridekslet (ekstrautstyr) er plassert slik at pilen ◁ er synlig, må batteriutløseren skyves slik at den dekker pilen (figur G-**1**). Sett de to fremspringene på batteriet inn i de to tilsvarende slissene på BL-5 (figur G-**2**) og kontroller at batteriutløseren er skjøvet til side slik at pilen er synlig.

AA-batterier: Plasser åtte AA-batterier i batteriholderen MS-D12 som vist i figur H, og kontroller at batteriene er snudd riktig vei.

3 Sett inn batteriholderen i MB-D12 og lås batterilåsen (Figur I). Sikre at holderen er satt helt inn før du vrir på låsen.

4 Slå på kameraet og kontroller batterinivået i kontrollpanelet eller søkeren. Dersom kameraet ikke slår seg på må du kontrollere at batteriet er riktig satt inn.








Strømforsyningen EP-5B

Når du bruker strømforsyningen EP-5B, setter du den inn i MS-D12ENS holder med pilen (▲) på kontakten mot batteriets strømkontakter. Trykk strømforsyningen lett nedover og skyv den i pilens retning til strømkontaktene klikker på plass (Figur J-**1**). Åpne holderens deksel til strømforsyningen og legg EP-5Bs strømkabel i åpningen (Figur J-**2**).






Batterinivå

Kameraet viser batterinivået som følger:

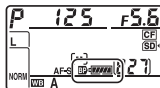
EN-EL15/EN-EL18

| Kontrollpanel | Søker | Beskrivelse |
|---|---|--|
|  | — | Batteriet er helt oppladet. |
|  | — | Batteriet er delvis utladet. |
|  | | |
|  |  | Batteriet er nesten utladet. Klargjør et fullt oppladet ekstras batteri eller lad batteriet. |
|  (blinker) |  (blinker) | Tomt batteri. Lad eller bytt ut batteriet. |

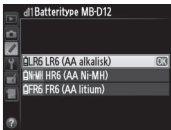
AA-batterier




| Kontrollpanel | Søker | Beskrivelse |
|---|---|---|
|  | — | Gjenstående lading. |
|  |  | Batteriene er nesten utladet. Klargjør reser-vebatterier. |
|  (blinker) |  (blinker) | Tomme batterier. Utløseren er deaktivert. |

Et alternativ i Gruppe d på kameraets meny for egendefinerte innstillinger kan brukes for å endre rekkefølgen som batteriene blir brukt. Et **BP**-ikon vises i kontrollpanelet når kameraet bruker strøm fra MB-D12. Batteridekslet er ikke lukket hvis **BP**-ikonet blinker. Lukk og lås dekslet til batterikammeret.



Velg riktig alternativ for **Batteritype MB-D12** i kameraets meny for egendefinerte innstillinger (Gruppe d), for å sikre at kameraet viser korrekt batterinivå når AA-batterier brukes. Dersom feil alternativ er valgt, kan kameraet ikke være i stand til å fungere som forventet.

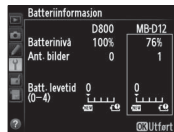


| Alternativ | Batteritype |
|--|--------------------|
|  LR6 (AA alkalisk) | AA alkaliske (LR6) |
|  HR6 (AA Ni-MH) | AA Ni-MH (HR6) |
|  FR6 (AA litium) | AA litium (FR6) |

Ta ut batteriene når MB-D12 ikke er i bruk.

Batteriinformasjon

Batteriinformasjon (inkludert kalibreringsinformasjon for EN-EL18-batterier) kan ses på kameraets oppsettsmeny (kameraets batteri er listet opp til venstre, MB-D12 til høyre). Bare batteriets nivåikon vises når AA-batterier brukes. Se kameraets bruksanvisning for detaljer.



No

Merk: Illustrasjonene på denne siden er fra D800.

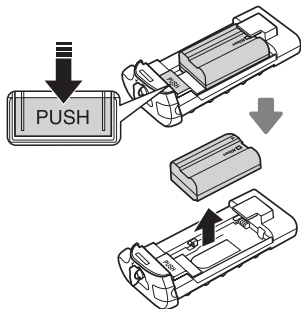
Ta ut batterier

Vær forsiktig slik at du ikke mister batteriene eller holderen.

- 1 Vri MB-D12s batterikammerlås til  og ta ut batteriholderen (Figur E).
- 2 Ta ut batteriet eller batteriene fra holderen.


EN-EL15

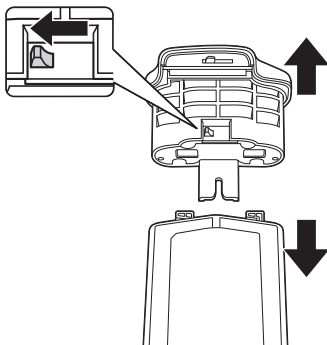
Mens du holder inne holderens **PUSH**-knapp, skyver du batteriet mot knappen. Deretter kan du ta ut batteriet som vist.



Fremgangsmåten for å ta ut strømforsyningen EP-5B er den samme som for EN-EL15.

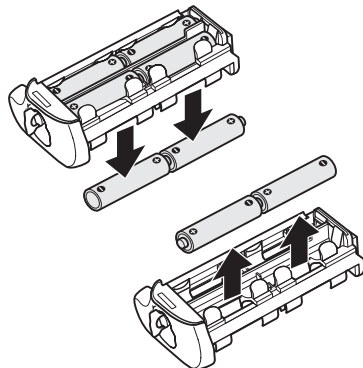
EN-EL18

Skyv batteriutløseren i pilens () retning og fjern batteridekslet.



AA-batterier

Ta ut batteriene som vist. Vær forsiktig slik at du ikke mister batteriene når du tar dem ut fra holderen.



Spesifikasjoner

| | |
|-----------------------------|---|
| Strømkilde | Ett EN-EL15 eller EN-EL18 oppladbart litium-ion batteri, åtte LR6 alkaliske, HR6 Ni-MH, FR6 litium AA-batterier eller en nettdapter EH-5b/EH-5a/EH-5 (krever strømforsyningen EP-5B) |
| Brukstemperatur | 0 – 40 °C |
| Ytre mål (B x H x D) | Omtr. 151 x 50 x 81 mm |
| Vekt | Cirka 365 g med MS-D12EN og et EN-EL15-batteri (ekstraustyr) Cirka 460 g med MS-D12 og åtte AA-batterier (ekstraustyr fra tredjepartsleverandører) Cirka 310 g med MS-D12EN og strømforsyningen EP-5B (ekstraustyr) Cirka 425 g med et BL-5 og EN-EL18-batteri (ekstraustyr) Cirka 280 g med MS-D12EN Cirka 270 g med MS-D12 |

Spesifikasjoner og utforming kan endres uten forvarsel.

✓ EN-EL15 og EN-EL18-batterier

Ytelsen til batteriene EN-EL15 og EN-EL18 synker ved temperaturer under cirka 10 °C. Sikre at batteriet er helt oppladet, og oppbevar et varmt reservebatteri klart til bytte ved behov. Kalde batterier vil få tilbake noe av strømmen når de blir varmet opp.

✓ AA-batterier

På grunn av deres begrensede kapasitet, bør du bare bruke alkaliske AA LR6-batterier når det ikke finnes andre alternativer.

AA-batteriernes kapasitet varierer etter type og oppbevaringsforhold, og kan i noen tilfeller være ekstremt lav; i noen tilfeller kan AA-batterier slutte å virke før utløpsdatoen. Merk at AA-batteriers kapasitet kan falle ved temperaturer under 20 °C. Det anbefales ikke å bruke dem ved lave temperaturer.

✓ Opptakshastighet (bilder i sekundet)

EN-EL18 og AA-batteriene støtter høyere opptakshastigheter enn EN-EL15. Legg imidlertid merke til at med AA-batterier vil opptakshastigheten synke ved lave temperaturer eller dersom batteriene er nesten utladet. Se kameraets bruksanvisning for mer informasjon om opptakshastigheter.

MB-D12 Flerfunktionsbatteripack

Användarhandbok

Innehållsförteckning

| | |
|--|---|
| Säkerhetsföreskrifter | 2 |
| Meddelande till kunder i Europa | 2 |
| Försiktighetsåtgärder..... | 2 |
| Introduktion | 3 |
| MB-D12 och tillbehör | 3 |
| MB-D12 och medföljande tillbehör..... | 3 |
| Använda nätadaptern EH-5a/EH-5b och strömkontakten EP-5B (säljs separat) | 3 |
| Använda den separat sålda batterifacksluckan BL-5... | 3 |
| Delarna på MB-D12 | 4 |
| Avtryckaren MB-D12, multiväljaren, kommandorattarna och AF-ON-knappen | 4 |
| MB-D12 Knapplås | 4 |
| Använda batteripacket | 5 |
| Sätta fast batteripacket | 5 |
| Ta ur batteripacket | 5 |
| Sätta i batterier | 6 |
| Ta ur batterierna..... | 8 |
| Specifikationer..... | 9 |

Säkerhetsföreskrifter

För att produkten ska fungera på rätt sätt ska du läsa igenom den här handboken noggrant innan du börjar använda produkten. När du har läst handboken förvarar du den lättåtkomlig för alla som ska använda produkten.

Meddelande till kunder i Europa

VARNING

RISK FÖR EXPLOSION OM BATTERIET BYTS UT MOT FEL TYP. SKROTA ANVÄNDA BATTERIER ENLIGT INSTRUKTIONERNA.

Den här symbolen anger att produkten måste lämnas till separat insamling.



Följande gäller endast användare i europeiska länder:

- Den här produkten ska lämnas till separat insamling vid en särskild samlingsplats. Släng inte produkten tillsammans med det vanliga hushållsavfallet.
- Mer information får du från återförsäljaren eller av de lokala myndigheter som ansvarar för avfallshanteringen där du bor.

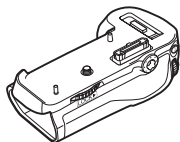
Försiktighetsåtgärder

- MB-D12 kan endast användas med kompatibla kameror.
- Använd den inte tillsammans med batterier och batterihållare som inte rekommenderas enligt denna bruksanvisning.
- Sätt tillbaka kontaktskyddet när MB-D12 inte används för att förhindra elektrisk kortslutning orsakad av att metallföremål rör vid strömkontaktarna.
- När en batterihållare tas loss från MB-D12, ta bort batterierna eller placera hållaren eller locket i hållarens fodral för att motverka risken för elektriska kortslutningar som orsakas av kontakt med andra metallföremål.
- Minneskortets indikator kan tändas när MB-D12 sätts på eller tas loss från kameran, men detta innebär inte något fel.
- Stäng av direkt om du skulle upptäcka rök, en ovanlig lukt eller ett ovanligt ljud från batteripacket. Efter att du tagit ur batterierna tar du enheten till försäljaren eller en Nikon-auktoriserad representant för kontroll.
- MB-D12 har ingen strömknapp. Använd kameran strömknapp för att stänga av eller sätta på strömmen.

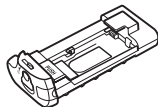
Tack för ditt köp av ett MB-D12 flerfunktionsbatteripack som kan användas med alla Nikons digitala spegelreflexkameror som listar MB-D12 som ett kompatibelt tillbehör i kamerahandboken. MB-D12 kräver ett EN-EL15 eller EN-EL18 uppladdningsbart batteri eller åtta AA-batterier (alkaliska, Ni-MH, eller litium) och har en extra avtryckare, **AF-ON**-knapp, multiväljare, och en primär- och sekundärratt för att ta bilder i stående format (porträtt). Via kameramenyalternativen kan du bestämma om kamerans batteri eller batterierna i MB-D12 ska användas först; se kamerans bruksanvisning för närmare anvisningar.

MB-D12 och medföljande tillbehör

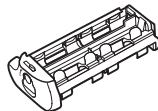
Kontrollera att följande tillbehör medföljer MB-D12 (observera att batterier säljs separat).



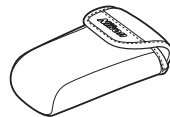
MB-D12



MS-D12EN-hållare för
EN-EL15-batterier



MS-D12-hållare för
AA-batterier



Väska för hållaren



Kontaktskydd

Vid leveransen sitter MS-D12EN i MB-D12. Se "Sätta i batterier" för information angående hur man tar loss batterihållaren.

- Användarhandbok (denna handbok)
- Garantibevis

Använda nätadaptern EH-5a/EH-5b och strömkontakten EP-5B (säljs separat)

Nätadaptern EH-5a/EH-5b och strömkontakten EP-5B är en tillförlitlig strömkälla när kameran används under längre perioder. För att använda en nätadapter med MB-D12, sätt i EP-5B i batterihållaren MS-D12EN så som beskrivs på sidan 6 och anslut sedan EH-5a/EH-5b så som finns beskrivet i dokumentationen som medföljer EP-5B.

Använda den separat sålda batterifacksluckan BL-5

En BL-5 lucka för batterifack (säljs separat) krävs vid användning av EN-EL18-batterier.



BL-5
lucka för batterifack

Delarna på MB-D12 (Figur A)

- ① Kontaktskydd
- ② Hållare för kamerakontaktskyddet
- ③ Ström/signalkontakter
- ④ **AF-ON**-knapp
- ⑤ Huvudkommandoratt
- ⑥ Multiväljare
- ⑦ Fästskiva
- ⑧ Lock för hållarens strömkontakt
- ⑨ Batterifackslock
- ⑩ Batterifack
- ⑪ Batterifackslås
- ⑫ Monteringsskruv
- ⑬ Avtryckare
- ⑭ Knapplås
- ⑮ Underkommandoratt
- ⑯ Stativgänga
- ⑰ MS-D12EN-hållare för EN-EL15-batterier
- ⑱ Strömkontakter
- ⑲ Strömkontakter (Batterihållare MS-D12EN)
- ⑳ MS-D12-hållare för AA-batterier
- ㉑ Strömkontakter (Batterihållare MS-D12)
- ㉒ BL-5 lucka för batterifack (säljs separat)

Sv

Avtryckaren MB-D12, multiväljaren, kommandorattarna och AF-ON-knappen

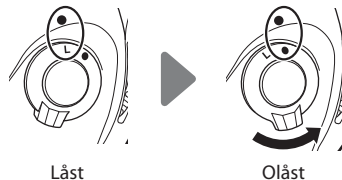
MB-D12 har en extra avtryckare (Figur A-⑬), en multiväljare (Figur A-⑥), en primär kommandoratt (Figur A-⑤), en sekundär kommandoratt (Figur A-⑮) och en **AF-ON**-knapp (Figur A-④) som är praktiska när man tar bilder vertikalt ("stående format" eller porträtt). Dessa kontroller utför samma funktioner som motsvarande kontroller på kameran. Se kameranhandboken för mer information.

Ändringar som görs för **Multiväljarens mittknapp, Multiväljare, Anpassa kommandorattar** och **Tilldela AF-ON på MB-D12** i kameramenyn Anpassade inställningar (Grupp f) gäller även för multiväljaren, kommandorattarna och **AF-ON**-knappen på MB-D12.

MB-D12 Knapplås

Knapplåset (figur A-⑭) används för att låsa reglagen på MB-D12 och förhindra oavsiktlig användning. Innan du använder dessa reglage för att ta stående bilder (porträttläge), lås upp dem så som visas till höger.

Knapplåset är inte någon strömbrytare. Använd kamerans strömbrytare för att slå kameran till och från.



Använda batteripacket

Sätta fast batteripacket

Se till att kameran är avstängd innan du sätter fast batteripacket och att MB-D12-knapplåset (Figur A-④) är i **L**-läge (illustrationerna visar D800).

- 1 Ta av kontaktskyddet (Figur A-①) från batteripacket.
- 2 Kontakterna för MB-D12 sitter underst på kameran, där de skyddas av ett kontaktskydd. Kontaktskyddet kan tas loss som visas i Figur B-① och sättas i kontaktskyddshållaren på MB-D12 (Figur B-②).
- 3 Placera MB-D12 så att du passar in dess monteringskruv (figur C-②) med kamerans stativgänga (Figur C-①) och spänn fästskivan genom att skruva den i **LOCK**-pilens riktning (figur D). Du behöver inte ta ut batteriet ur kameran innan MB-D12 ansluts. I grundinställningen används batteriet som sitter i kameran endast efter det att batteriet i MB-D12 har använts upp. Alternativet **Batteriordning** på kamerans Anpassningsmeny (grupp d) kan användas för att ändra ordningen i vilken batterierna ska användas.

Sätt alltid kamerans kontaktskydd i kontaktskyddshållaren och förvara kontaktlocket till MB-D12 på ett säkert ställe för att undvika att tappa bort dem.

En PB-6D och PK-13 automatisk mellanring krävs när en PB-6 bälg används med MB-D12.

Ta ur batteripacket

När du tar loss MB-D12, ska du först stänga av kameran och ställa knapplåset på MB-D12 på **L**. Lossa sedan fästskivan och ta loss MB-D12. Sätt på kontaktskyddet på kameran och även kontaktskyddet på MB-D12 igen när du inte tänker använda batteripacken.

Sätta i batterier

MB-D12 kan användas med ett EN-EL15 eller EN-EL18 uppladdningsbart litiumjonbatteri, eller med åtta AA-batterier. En BL-5 lucka för batterifack (säljs separat) krävs vid användning av ett EN-EL18-batteri.

Kontrollera att kameran är avstängd och att knapplåset på MB-D12 står i läge **L** innan du sätter i batterier.

1 Vrid batterifackslåset på MB-D12 till  och ta loss batterihållaren (Figur E).

2 Gör klara batterierna som förklaras nedan.

Sv

EN-EL15: Passa samman fördjupningarna på batteriet med de utskjutande delarna i batterihållaren MS-D12EN, och sätt i batteriet så att pilen (▲) på batteriet pekar mot batterihållarens strömkontakter (Figur F-**1**). Tryck batteriet lätt nedåt och skjut det i pilens riktning tills strömkontakterna klickar på plats (Figur F-**2**).

EN-EL18: Om batterispärren på den separat sålda batterifacksluckan BL-5 är placerad så att pilen \triangleleft syns, skjut batterispärren så att pilen täcks (figur G-**1**). För in de två utskjutande delarna på batteriet i motsvarande skåror på BL-5 (figur G-**2**) och kontrollera att batterispärren har skjutits åt sidan så att pilen syns.

AA-batterier: Sätt i åtta AA-batterier i batterihållaren till MS-D12 så som visas i figur H, och se till att batterierna sätts i åt rätt håll.

3 Sätt i batterihållaren i MB-D12 och lås batterifackets lucka (figur I). Se till att hållaren är helt isatt innan du stänger låset.

4 Slå på kameran och kontrollera batterispänningsnivån via kontrollpanelen eller kamerans sökare. Kontrollera om batteriet har satts i rätt om strömmen till kameran inte slås på.

Strömkontakten EP-5B

När du använder strömkontakten EP-5B, sätt i den i hållaren MS-D12EN med pilen (▲) på kontakten riktad mot batteriets strömpoler. Tryck lätt på anslutningen nedåt och skjut den i pilens riktning tills strömpolerna klickar på plats (figur J-**1**). Öppna locket till hållarens strömkontakt och för in strömkabeln EP-5B genom öppningen (figur J-**2**).

Batterinivå

Kameran visar batterinivån enligt följande:

EN-EL15/EN-EL18-batterier

| Kontrollpanel | Sökare | Beskrivning |
|---------------|--------|--|
| | — | Batteriet är fulladdat. |
| | — | Batteriet delvis laddat. |
| | | Batteriet nästan tomt. Håll ett fulladdat reservbatteri i beredskap eller ladda batteriet. |
| | | Batteriet tomt. Ladda eller byt batteri. |

AA-batterier

| Kontrollpanel | Sökare | Beskrivning |
|---------------|--------|--|
| | — | Resterande laddning. |
| | | Batterierna nästan tomma. Ta fram reservbatterier. |
| | | Batterierna tomma. Avtryckaren fungerar ej. |

Ett alternativ i grupp d på kamerans Anpassningsmeny kan användas för att ändra ordningen i vilken batterierna ska användas.

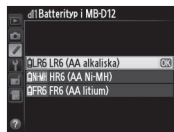
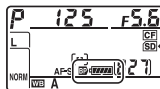
När kameran drivs via MB-D12, visas ikonen på kontrollpanelen. Om -ikonen blinkar, är inte batterifacketes lucka stängd. Stäng och lås luckan till batterifacket.

För att vara säker på att kameran visar korrekt batterispänningsnivå när AA-batterier används, ska du välja passende alternativ för **Batterityp i MB-D12**

på kamerans Anpassningsmeny (grupp d). Om rätt alternativ inte har valts kanske inte kameran fungerar så som väntat.

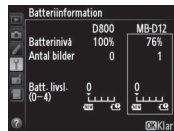
| Alternativ | Batterityp |
|--------------------|-------------------|
| LR6 (AA alkaliska) | AA alkaline (LR6) |
| HR6 (AA Ni-MH) | AA NiMH (HR6) |
| FR6 (AA litium) | AA Litium (FR6) |

Ta ur batterierna när MB-D12 inte används.



Batteriinformation

Batteriinformation (inklusive kalibreringsinformation för EN-EL18-batterier) kan visas i kamerans inställningsmeny (kamerabatteriet visas till vänster, MB-D12 till höger). Endast ikonen för batterinivå visas när AA-batterier används. Se kamerans bruksanvisning för närmare anvisningar.



Obs: Illustrationerna på denna sida är från D800.

Ta ur batterierna

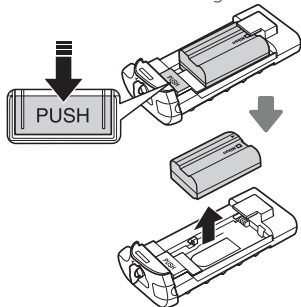
Var försiktig så att du inte tappar batterierna eller hållaren.

1 Vrid batterifackslåset på MB-D12 till ☞ och ta loss batterihållaren (Figur E).

2 Ta bort batteriet eller batterierna från hållaren.

EN-EL15

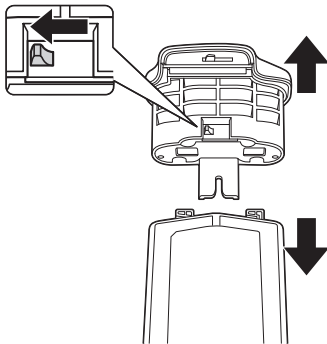
Håll **PUSH**-knappen på hållaren intryckt och skjut samtidigt batteriet mot knappen. Batteriet kan sedan tas ut som figuren visar.



Det är samma procedur att ta bort strömkontakten EP-5B som för EN-EL15.

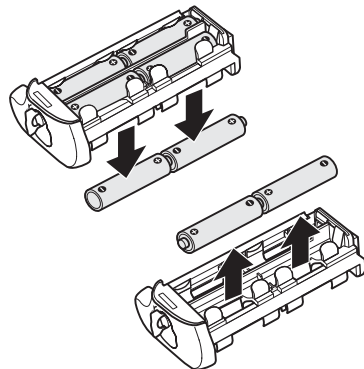
EN-EL18

Skjut batterispärren i pilens riktning (◁) och ta bort batterifackets lucka.



AA-batterier

Ta ut batterierna som visas. Var försiktig så att du inte tappar batterierna när du tar ut dem ur hållaren.



Specifikationer

| | |
|-------------------------|---|
| Strömkälla | Ett EN-EL15 eller EN-EL18 uppladdningsbart litiumjonbatteri, åtta LR6 alkaliska, HR6 Ni-MH, eller FR6 litium AA-batterier, eller en EH-5b/EH-5a/EH-5 nätadapter (kräver en EP-5B strömkontakt) |
| Drifttemperatur | 0–40 °C |
| Mått (B × H × D) | Ca 151 × 50 × 81 mm |
| Vikt | Ca 365 g med MS-D12EN och ett separat sålt EN-EL15-batteri Ca 460 g med MS-D12 och åtta AA-batterier (finns att köpa i handeln) Ca 310 g med MS-D12EN och en separat såld EP-5B strömkontakt Ca 425 g med BL-5 och ett EN-EL18-batteri som säljs separat Ca 280 g med MS-D12EN Ca 270 g med MS-D12 |

Specifikationer och design kan förändras utan föregående meddelande.

EN-EL15- och EN-EL18-batterier

Prestandan hos EN-EL15- och EN-EL18-batterier sjunker vid temperaturer under ca 10 °C. Se till att batteriet är fulladdat och ha ett varmt extrabatteri klart om du plötsligt måste byta batteriet. Kalla batterier återfår en del av sin laddning när de värms upp.

AA-batterier

På grund av deras begränsade kapacitet, bör alkaliska LR6 AA-batterier endast användas när det inte finns något annat alternativ tillgängligt.

AA-batteriernas kapacitet varierar beroende på hur de förvaras och kapaciteten kan i vissa fall vara mycket låg; i vissa fall kan AA-batterier vara helt urladdade innan deras sista användningsdatum. Observera att AA-batteriernas kapacitet försämras vid temperaturer under 20 °C. Användning vid låga temperaturer rekommenderas inte.

Bildmatningshastighet

EN-EL18- och AA-batterier stöder högre bildmatningshastigheter än EN-EL15. Observera däremot att bildmatningshastigheten sjunker för AA-batterier vid låga temperaturer eller om batterinivåerna är låga. Se kamerahandboken för mer information om bildmatningshastigheter.

Monitoimiakkuperä MB-D12

Käyttöohje

Sisällysluettelo

| | |
|---|---|
| Turvallisuusohjeet..... | 2 |
| Huomautus eurooppalaisille asiakkaille | 2 |
| Varo-ohjeet käyttöä varten | 2 |
| Käyttöönotto | 3 |
| MB-D12 ja varusteet..... | 3 |
| MB-D12 ja mukana toimitetut varusteet | 3 |
| Lisävarusteiden EH-5a/EH-5b verkkolaitteen ja EP-5B virtaliitännän käyttö..... | 3 |
| Valinnaisen BL-5-akkutilan kannen käyttö | 3 |
| MB-D12-sovittimen osat..... | 4 |
| MB-D12:n laukaisinpainike, valintapainike, komentokiekot ja AF-ON-painike..... | 4 |
| MB-D12-sovittimen varmuuslukko | 4 |
| Virtalähdesovittimen käyttö..... | 5 |
| Virtalähdesovittimen liittäminen..... | 5 |
| Virtalähdesovittimen poistaminen..... | 5 |
| Akkujen tai paristojen asettaminen paikalleen..... | 6 |
| Akkujen poistaminen..... | 8 |
| Tekniset tiedot | 9 |

Turvallisuusohjeet

Asianmukaisen käytön varmistamiseksi lue tämä käsikirja ennen laitteen käyttämistä. Säilytä käsikirjaa sellaisessa paikassa, että se on kaikkien tuotteen käyttäjien luettavissa.

Huomautus eurooppalaisille asiakkaille

VAROITUS

AKUN KORVAAMINEN VÄÄRÄNLAISELLA AKKUTYYPIILLÄ SAATTAÄ JOHTAA RÄJÄHDYKSEEN. HÄVITÄ KÄYTETYÄ AKUT OHJEIDEN MUKAISESTI.

Tämä merkintä osoittaa, että tuote on kerättävä erillään muusta jätteestä.



Seuraavat ilmoitukset koskevat vain Euroopan maissa olevia käyttäjiä:

- Tämä tuote on tarkoitettu kerättäväksi erikseen asianmukaisessa keräyspisteessä. Älä hävitä sitä kotitalousjätteen mukana.
- Lisätietoja saat myyjältä tai jätehuollosta vastaavilta paikallisilta viranomaisilta.

Varo-ohjeet käyttöä varten

- MB-D12-sovitinta voi käyttää ainoastaan yhteensopivissa kameroissa.
- Älä käytä sovitinta yhdessä muiden kuin tässä käsikirjassa suositeltujen akkujen, paristojen tai paristopidikkeiden kanssa.
- Kun MB-D12 ei ole käytössä, voit estää kontaktipintoihin koskevien metalliesineiden aiheuttamat oikosulut asettamalla kontaktipintojen suojuksen paikalleen.
- Kun akkukotelo poistetaan MB-D12:sta, poista paristot tai laita kotelo tai sen suojuksen paikalleen välttääksesi oikosulkuja toisten metalliohjeiden kontaktista.
- Muistikortin merkkivalo voi syttyä, MB-D12-sovitin kytketään kameraan tai irrotetaan siitä. Tämä ei ole virhetoiminto.
- Jos virtalähdesovittimesta tulee savua tai outoa hajua tai siitä kuuluu outoa ääntä, keskeytä sen käyttö välittömästi. Kun akut tai paristot on poistettu, vie sovitin jälleenmyyjälle tai valtuutettuun Nikon-huoltoon tarkastettavaksi.
- MB-D12-sovittimessa ei ole virtakytkintä. Voit kytkeä tai katkaista virran käyttämällä kameran virtakytkintä.

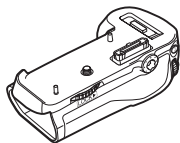
Käyttöönotto

Kiitos MB-D12 monitoimiakkuperän ostamisesta, joka sopii käytettäväksi kaikkien Nikon yksisilmäisten peiliheijastus digitaalikameroiden kanssa, jotka listaavat MB-D12 lisälaitteen yhteensopivaksi kamerasäilytysohjekirjassaan. MB-D12-laitteeseen sopii yksi EN-EL15- tai EN-EL18-akku tai kahdeksan AA-paristoa (alkali, Ni-MH tai litium). Laitteessa on vaihtoehtoinen laukaisin, **AF-ON**-painike, monivalitsin sekä pää- ja sivukomentokiekko pystysuuntaisten kuvien ottamista varten. Kamerasäilytysvalikossa käyttäjä voi määrittää, käyttääkö kamera ensin kamerasäilytysakkuja vai MB-D12-laitteen akkuja. Lisätietoja löydät kamerasäilytysohjeesta.

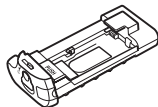
MB-D12 ja varusteet

MB-D12 ja mukana toimitetut varusteet

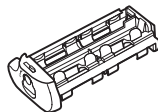
Varmista, että MB-D12-laitteen mukana toimitetaan seuraavat varusteet (akut ja paristot myydään erikseen).



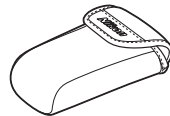
MB-D12



MS-D12EN-pidikke
EN-EL15-akkuille



MS-D12-pidikke
AA-paristoille



Pidikkekotelo



Kontaktipintojen
suojus

MS-D12EN lisätään MB-D12-laitteeseen toimituksen yhteydessä. Katso ohje akkupidikkeen poistamiseksi kohdasta "Akkujen tai paristojen asettaminen paikalleen".

- Käyttöohje
- Takuu

Lisävarusteiden EH-5a/EH-5b verkkolaitteen ja EP-5B virtaliitännän käyttö

Lisävarusteet EH-5a/EH-5b verkkolaite ja EP-5B virtaliitäntä tarjoavat luotettavan virtalähteen, kun kameraa käytetään pitkään. Verkkolaitteen käyttö MB-D12:n kanssa, aseta EP-5B MS-D12EN paristopidikkeeseen sivulla 6 kuvulla tavalla, ja liitä sitten EH-5a/EH-5b verkkolaite EP-5B virtaliitäntään sen mukana tulleen käyttöohjeen mukaisesti.

Valinnaisen BL-5-akkutilan kannen käyttö

Akkutilan BL-5-kansi (saatavana erikseen) tarvitaan käytettäessä EN-EL18-akkuja.



Akkutilan
BL-5-kansi

MB-D12-sovittimen osat (kuva A)

- ① Kontaktipintojen suojus
- ② Kameran kontaktipintojen suojuksen pidike
- ③ Virta-/signaaliiliitännät
- ④ **AF-ON**-painike
- ⑤ Pääkomentokiekko
- ⑥ Valintapainike
- ⑦ Kiinnitysrengas
- ⑧ Virtaliitännän kansikotelo
- ⑨ Akkukotelon kansi
- ⑩ Akkukotelo
- ⑪ Akkukotelon salpa
- ⑫ Kiinnitysruuvi
- ⑬ Laukaisinpainike
- ⑭ Varmuuslukko
- ⑮ Sivukomentokiekko
- ⑯ Jalustan liitäntä
- ⑰ MS-D12EN-pidike EN-EL15-akuille
- ⑱ Virtaliitännät
- ⑲ Kosketuspinnat (MS-D12EN paristopidike)
- ⑳ MS-D12-pidike AA-paristoille
- ㉑ Kosketuspinnat (MS-D12 paristopidike)
- ㉒ Akkutilan BL-5-kansi (saatavana erikseen)

MB-D12:n laukaisinpainike, valintapainike, komentokiekot ja AF-ON-painike

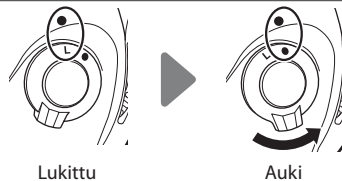
MB-D12-sovitin on varustettu laukaisinpainikkeella (kuva A-⑬), valintapainikkeella (kuva A-⑥), pääkomentokiekolla (kuva A-⑤), sivukomentokiekolla (kuva A-⑮) ja **AF-ON**-painikkeella (kuva A-④) pystysuuntaisten valokuvien ottamista varten. Näillä säätimillä on samat toiminnot kuin vastaavilla kameran säätimillä. Katso lisätietoja kameran käyttöohjeesta.

Muutokset kohtiin **Monivalitsimen keskipain.**, **Monivalitsin**, **Komentokiekkojen mukautt.** ja **MB-D12 AF-ON -pain. teht.** kameran mukautettujen asetusten valikossa (ryhmä f) koskevat myös MB-D12:n monivalitsinta, komentokiekkoja ja **AF-ON**-painiketta.

MB-D12-sovittimen varmuuslukko

Varmuuslukko (Kuva A-⑭) lukitsee MB-D12-sovittimen säätimet tahattoman käytön varalta. Ennen pystysuuntaista valokuvausta näiden säätimien avulla, vapauta lukitus oikealla näkyvällä tavalla.

Varmuuslukko ei ole virtakytkin. Voit kytkeä kameran virran tai katkaista virran käyttämällä kameran virtakytkintä.



Virtalähdesovittimen käyttö

Virtalähdesovittimen liittäminen

Varmista ennen virtalähdesovittimen liittämistä, että kamerasta on katkaistu virta ja MB-D12-sovittimen varmuuslukko (kuva A-⑭) on asennossa **L** (Kuvat esittävät D800:a).

- 1 Irrota kontaktipintojen suojus (kuva A-①) virtalähdesovittimesta.
- 2 MB-D12-sovittimen liittimet sijaitsevat kameran alaosassa kontaktipintojen suojuksen alla. Irrota kontaktipintojen suojus kuvassa B-① esitetyllä tavalla ja aseta se MB-D12-sovittimen kannen pidikkeeseen (kuva B-②).
- 3 Aseta MB-D12-sovitin paikoilleen ja pidä MB-D12 kiinnitysruuvi (Kuva C-②) kameran jalustan liitännän suuntaisena (Kuva C-①) ja kiristä kiinnitysrenkas kiertämällä sitä **LOCK**-nuolen suuntaan (Kuva D). Akkua ei tarvitse poistaa kamerasta ennen MB-D12-sovittimen liittämistä. Oletusasetuksen mukaisesti kamera käyttää omaa akkuaan vasta MB-D12-sovittimen akkujen tai paristojen tyhjennettyä. Kameran asetusvalikon **Virtalähteiden järjestys** -valinnalla (ryhmässä d) voit määrittää, missä järjestyksessä kamera käyttää akkuja.

Muista asettaa kameran kontaktipintojen suojus pidikkeeseensä ja säilyttää MB-D12 kontaktipintojen suojus turvallisessa paikassa katoamisen estämiseksi.

Automaattinen PB-6D- ja PK-13-loittorengas tarvitaan käytettäessä PB-6-automaattipaljetta MB-D12:n kanssa.

Virtalähdesovittimen poistaminen

Voit poistaa MB-D12-sovittimen katkaisemalla kamerasta virran, asettamalla MB-D12-sovittimen varmuuslukon **L**-asentoon, avaamalla kiinnitysrenkaan ja poistamalla MB-D12-sovittimen. Muista asettaa kameran kontaktisuojaus ja MB-D12-sovittimen kontaktipintojen suojus paikalleen, kun laitteet eivät ole käytössä.




Akkujen tai paristojen asettaminen paikalleen



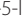
MB-D12-laite toimii EN-EL15- tai EN-EL18-litiumioniakulla tai kahdeksalla AA-paristolla. Akkutilan BL-5-kansi (saatavana erikseen) tarvitaan käytettäessä EN-EL18-akkua.

Varmista ennen akkujen tai paristojen asettamista, että kameran virta ei ole kytkettynä, ja että MB-D12-sovittimen varmuuslukko on asennossa **L**.

1 Käännä MB-D12-akkukotelon pidike asentoon  ja poista paristopidike (kuva E).

2 Käsittele paristoja alla kuvatulla tavalla.

EN-EL15: Käännä paristot MS-D12EN-pidikkeen merkintöjen mukaisesti, aseta nuolen mukaisesti () paristopidikkeen kontaktipintoja vasten (kuva F-). Paina paristoa varovasti alaspäin ja liu'uta nuolen suuntaan, kunnes kontaktipinnat napsahtavat paikoilleen (kuva F-).




EN-EL18: Jos akkutilan BL-5-kannen akun vapautusvipu on asennossa, jossa nuoli  on näkyvässä, työnnä akun vapautusvipua niin, että se peittää nuolen (kuva G-). Aseta akun kaksi napaa BL-5-laitteen vastakkeisiin (kuva G-) ja varmista, että akun vapautusvipu on liukunut sivuun niin, että nuoli on näkyvässä.

AA paristot: Aseta kahdeksan AA-paristoa MS-D12:n paristokoteloon kuvan H mukaisesti ja varmista, että paristot ovat oikein päin.

3 Aseta paristopidike MB-D12-sovittimeen ja salpaa akku-/paristotilan kansi (Kuva I). Varmista, että pidike on kokonaan paikoillaan ennen pidikkeen/salvan sulkemista.

4 Kytke kameraan virta ja tarkista akun varaustaso ohjauspaneelistä tai etsimestä. Jos kameran virta ei mene päälle, tarkista että paristo on laitettu sisään oikein.

EP-5B Virtaliitäntä

Käytettäessä EP-5B virtaliitäntää, aseta se nuolen mukaisesti MS-D12EN-pidikkeeseen () virtaliittimen suuntaan. Paina liitäntä varovasti alaspäin ja liu'uta nuolen suuntaan kunnes se napsahtaa paikalleen (Kuva J-). Avaa virtaliitännän kansi ja pujota EP-5B virtajohto aukosta (Kuva J-).

Akun varaustaso

Kamera näyttää akun varaustason seuraavasti:

EN-EL15/EN-EL18 Akku

| Ohjauspaneeli | Etsin | Kuvaus |
|---------------|-------|--|
| | — | Akku täyteen ladattu. |
| | — | Akun varaus osittain purkautunut. |
| | — | |
| | — | |
| | | Akun varaus vähissä. Valmis täysin ladattu vara-akku tai lataa akku. |
| | | Akku tyhjä. Lataa tai vaihda akku. |

AA-paristot

| Ohjauspaneeli | Etsin | Kuvaus |
|---------------|-------|--|
| | — | Jäljellä oleva lataus. |
| | | Paristojen varaus vähissä. Ota esiin vara-akut tai paristot. |
| | | Paristot tyhjä. Laukaisin ei ole käytettävissä. |

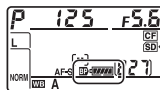
Kameran asetusvalikon ryhmän d valinnalla voit määrittää, missä järjestyksessä kamera käyttää akkuja. Ohjauspaneelissa näkyy kuvake BP, kun kamera käyttää MB-D12-sovitinta. Jos BP kuvake vilkkuu, niin akutilan kansi on auki. Sulje ja salpaa akutilan kansi.

Voit varmistaa, että kamera näyttää AA-paristojen varaustason oikein valitsemalla oikean asetuksen kamerasen Muk. asetukset -valikossa

MB-D12-laitt. paristot/akut (ryhmässä d). Kamera ei välttämättä toimi oikein, jos valittuna ei ole oikea valinta.

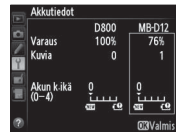
| Vaihtoehto | Akku- tai paristotyyppi |
|-----------------|-------------------------|
| LR6 (AA-alkali) | AA-alkaliparisto (LR6) |
| HR6 (AA-Ni-MH) | AA-NiMH-akku (HR6) |
| FR6 (AA-litium) | AA-litiumparisto (FR6) |

Poista paristot, kun MB-D12-sovitin ei ole käytössä.




Akkutiedot

Akun tiedot (mukaan lukien EN-EL18-akkujen kalibrintitiedot) voidaan näyttää kamerasen asetusvalikosta (kameran akku näkyy vasemmalla, MB-D12 oikealla). AA-paristoja käytettäessä näkyy vain paristojen varaustasonkuvake. Lisätietoja löydät kamerasen ohjeesta.



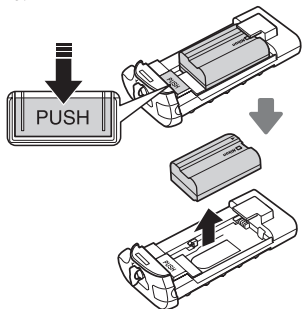
Akkujen poistaminen

Ole varovainen, ettet pudota paristoja, akkua tai pidikettä.

- 1 Käännä MB-D12-akkukotelon pidike asentoon  ja poista paristopidike (kuva E).
- 2 Poista akku tai paristot pidikkeestä.


EN-EL15

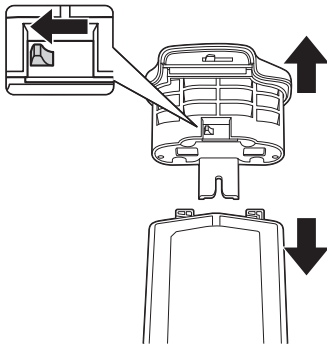
Paina pidikkeen **PUSH** ja liu'uta akkua kohti painiketta. Poista akku kuvan osoittamalla tavalla.



Menettelytapa EP-5B virtaliitännän poistoon on sama kuin EN-EL15.

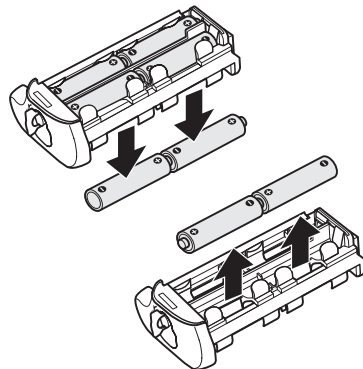
EN-EL18

Työnnä akun vapautusvipu nuolen osoittamaan suuntaan () ja irrota akkutilan kansi.



AA-paristot

Poista paristot kuvan osoittamalla tavalla. Varo, ettet pudota paristoja, kun poistat ne pidikkeestä.



Tekniset tiedot

| | |
|------------------------------|---|
| Virtalähde | Yksi EN-EL15- tai EN-EL18-litiumioniakku, kahdeksan LR6-alkaliparistoa, HR6 Ni-MH-paristoa tai FR6-AA-litiumparistoa, tai EH-5b/EH-5a/EH-5-verkkolaite (vaatii EP-5B-virtaliitännän) |
| Käyttölämpötila | 0–40 °C |
| Ulkomitat (L × S × K) | Noin 151 × 50 × 81 mm |
| Paino | Noin 365 g MS-D12EN:n ja valinnaisen EN-EL15-akun kanssa Noin 460 g MS-D12:n ja kahdeksan AA-pariston (saatavissa erikseen kolmannen osapuolen toimittajilta) kanssa Noin 310 g MS-D12EN:n ja valinnaisen EP-5B-virtaliitännän kanssa Noin 425 g valinnaisen BL-5:n ja EN-EL18-akun kanssa Noin 280 g MS-D12EN:n kanssa Noin 270 g MS-D12:n kanssa |

Teknisiä tietoja ja mallia voidaan muuttaa siitä ilmoittamatta.

EN-EL15- ja EN-EL18-akut

EN-EL15- ja EN-EL18-akkujen suorituskyky laskee keskimäärin alle 10 °C:n lämpötilassa. Varmista, että akku on täyteen ladattu, ja pidä lämmin vara-akku saatavilla siltä varalta, että akku on vaihdettava. Kylmän akun varaus palautuu osittain akkua lämmitettäessä.

AA-paristot

Rajoitetusta kapasiteetista johtuen, AA LR6 alkaliparistoja tulee käyttää vain silloin, kun muita vaihtoehtoja ei ole saatavilla.

AA-paristojen kapasiteetti vaihtelee merkin ja säilytysolosuhteiden mukaan. Joissain tapauksissa AA-paristot menettävät varauksensa jo ennen viimeistä käyttöpäivää. Ota huomioon, että AA-paristojen teho laskee nopeasti alle 20 °C:n lämpötilassa. Käyttöä ei suositella alhaisissa lämpötiloissa.

Kuvausnopeus

EN-EL18-akku ja AA-paristot tukevat korkeampaa kuvausnopeutta kuin EN-EL15. Huomaa kuitenkin, että AA-paristojen osalta kuvausnopeus laskee alhaisissa lämpötiloissa tai jos varaustila on vähissä. Kuvausnopeutta koskevia lisätietoja saat kameran käyttöoppaasta.

Универсальный батарейный блок MB-D12

Руководство пользователя

Оглавление

| | |
|--|---|
| Информация для читателя..... | 2 |
| Примечание для пользователей в Европе | 2 |
| Меры предосторожности при использовании | 2 |
| Введение | 3 |
| Рукоятка MB-D12 и аксессуары..... | 3 |
| Рукоятка MB-D12 и прилагаемые аксессуары | 3 |
| Использование дополнительного сетевого блока питания EH-5a/EH-5b и разъема питания EP-5B ... | 3 |
| Использование дополнительной крышки батарейного отсека BL-5 | 3 |
| Компоненты рукоятки MB-D12 | 4 |
| Спусковая кнопка затвора, мультиселектор, диски управления и кнопка AF-ON рукоятки MB-D12..... | 4 |
| Блокировочный переключатель MB-D12 | 4 |
| Использование многофункциональной рукоятки..... | 5 |
| Присоединение многофункциональной рукоятки ... | 5 |
| Извлечение рукоятки | 5 |
| Установка батарей | 6 |
| Извлечение батарей..... | 8 |
| Технические характеристики..... | 9 |

Информация для читателя

Для правильной эксплуатации изделия перед его использованием внимательно прочитайте данное руководство. После прочтения храните это руководство в доступном месте, чтобы с ним могли ознакомиться все пользователи данного изделия.

Примечание для пользователей в Европе

ВНИМАНИЕ

СУЩЕСТВУЕТ РИСК ВЗРЫВА, ЕСЛИ УСТАНОВЛЕН НЕВЕРНЫЙ ТИП БАТАРЕИ. ЛИКВИДИРУЙТЕ ИСПОЛЬЗОВАННЫЕ БАТАРЕИ СОГЛАСНО ИНСТРУКЦИЯМ.

Данный символ означает, что изделие должно утилизироваться отдельно.

Следующие замечания касаются только пользователей в европейских странах:

- Данное изделие предназначено для раздельной утилизации в соответствующих пунктах утилизации. Не выбрасывайте изделие вместе с бытовым мусором.
- Подробные сведения можно получить у продавца или в местной организации, ответственной за вторичную переработку отходов.



Меры предосторожности при использовании

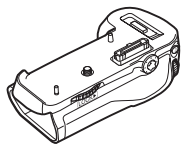
- Рукоятка MB-D12 предназначена для использования только с совместимыми фотоаппаратами.
- Не используйте изделие с батареями и держателями батарей, не рекомендованными в настоящем руководстве.
- Чтобы не допустить короткого замыкания, которое может произойти при соприкосновении металлических предметов с контактами питания, закрывайте контакты крышкой, когда MB-D12 не используется.
- После извлечения держателя батарей из MB-D12, выньте батареи или поместите держатель или крышку в контейнер, чтобы предотвратить короткое замыкание при соприкосновении с внешними металлическими предметами.
- Индикатор доступа к карте памяти может загореться, когда к фотоаппарату присоединяется или отсоединяется рукоятка MB-D12, что не является неисправностью.
- При обнаружении в рукоятке необычного запаха или шума немедленно прекратите ее использование. После извлечения батарей доставьте изделие для проверки в ближайший авторизованный сервисный центр компании Nikon.
- MB-D12 не имеет выключателя питания. Для включения и выключения питания используйте соответствующий выключатель фотокамеры.

Благодарим Вас за приобретение универсального батарейного блока MB-D12, предназначенного для использования со всеми цифровыми зеркальными фотокамерами Nikon, которые указаны в руководстве к фотокамере в списке совместимых аксессуаров. В MB-D12 используется одна аккумуляторная батарея EN-EL15 или EN-EL18 или восемь батарей AA (щелочных, никель-металлогидридных или литиевых), и он имеет спусковую кнопку затвора, кнопку **AF-ON**, мульти-selector, а также главный и вспомогательный диски управления для съемки в вертикальной (портретной) ориентации. Параметры меню фотокамеры позволяют пользователю выбирать, какие батареи будут использоваться первыми - батареи фотокамеры или батареи в рукоятке MB-D12; смотрите руководство к фотокамере для получения подробностей.

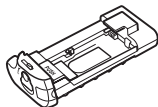
Рукоятка MB-D12 и аксессуары

Рукоятка MB-D12 и прилагаемые аксессуары

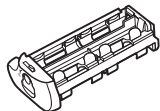
Проверьте, чтобы в комплект рукоятки MB-D12 входили следующие аксессуары (батареи продаются отдельно).



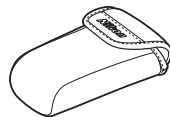
MB-D12



Держатель MS-D12EN
для батарей EN-EL15



Держатель MS-D12
для батарей AA



Контейнер де-
ржателя



Крышка
контактов

При поставке держатель MS-D12EN вставлен в рукоятку MB-D12. Смотрите "Установка батарей" для получения информации об установке и извлечению держателя батарей.

- Руководство пользователя (данное руководство)
- Гарантия

Использование дополнительного сетевого блока питания EH-5a/EH-5b и разъема питания EP-5B

Дополнительный сетевой блок питания EH-5a/EH-5b и разъем питания EP-5B служат надежным источником питания, когда фотокамера используется в течение длительного времени. Для использования сетевого блока питания с MB-D12, вставьте EP-5B в держатель батареи MS-D12EN, как описано на стр. 6, а затем подсоедините EH-5a/EH-5b, как описано в документации, поставляемой с EP-5B.

Использование дополнительной крышки батарейного отсека BL-5

При использовании батарей EN-EL18 требуется крышка батарейного отсека BL-5 (приобретается дополнительно).



Крышка батарейного отсека BL-5

- ① Крышка контактов
- ② Держатель крышки контактов фотоаппарата
- ③ Силовые/сигнальные контакты
- ④ Кнопка **AF-ON**
- ⑤ Главный диск управления
- ⑥ Мульти-selector
- ⑦ Колесико фиксатора
- ⑧ Держатель крышки разъема питания
- ⑨ Крышка батарейного отсека
- ⑩ Батарейный отсек
- ⑪ Защёлка батарейного отсека
- ⑫ Крепёжный винт
- ⑬ Спусковая кнопка затвора
- ⑭ Блокировочный переключатель
- ⑮ Вспомогательный диск управления
- ⑯ Гнездо для штатива
- ⑰ Держатель MS-D12EN для батарей EN-EL15
- ⑱ Контакты питания
- ⑲ Контакты питания
(Держатель батареи MS-D12EN)
- ⑳ Держатель MS-D12 для батарей AA
- ㉑ Контакты питания
(Держатель батареи MS-D12)
- ㉒ Крышка батарейного отсека BL-5 (приобретается дополнительно)

Спусковая кнопка затвора, мульти-selector, диски управления и кнопка AF-ON рукоятки MB-D12

Рукоятка MB-D12 оборудована спусковой кнопкой затвора (Рисунок А-⑬), мульти-selectorом (Рисунок А-⑥), главным диском управления (Рисунок А-⑤), вспомогательным диском управления (Рисунок А-⑮), и кнопкой **AF-ON** (Рисунок А-④) для использования при съёмке в вертикальной (портретной) ориентации. Эти элементы управления выполняют те же функции что и соответствующие элементы управления на фотокамере. Более подробные сведения см. в руководстве к фотокамере.

Изменения для **Центр. кнопка мультисел., Мульти-selector, Настр. дисков управления и Функция кн. AF-ON на MB-D12** в меню собственных настроек фотокамеры (Группа f) также касаются мульти-selectorа, дисков управления и кнопки **AF-ON** на MB-D12.

Блокировочный переключатель MB-D12

Блокировочный переключатель (Рисунок А-⑭) блокирует элементы управления на MB-D12 во избежание их случайного использования. Прежде чем использовать эти элементы управления для съёмки в вертикальной (портретной) ориентации, снимите блокировку, как показано на рисунке справа.

Блокировочный переключатель не является выключателем питания. Для включения и выключения питания служит соответствующий выключатель фотоаппарата.



Заблокировано

Разблокировано

Использование многофункциональной рукоятки

Присоединение многофункциональной рукоятки

Прежде чем присоединять рукоятку, убедитесь, что фотокамера выключена и блокировочный переключатель MB-D12 (Рисунок А-14) находится в положении **L** (На рисунках показан фотоаппарат D800).

- 1 Снимите крышку контактов (Рисунок А-1) с питающей рукоятки.
- 2 Контакты рукоятки MB-D12 находятся в основании фотоаппарата и защищены крышкой контактов. Снимите крышку контактов, как показано на Рисунке В-1 и положите её в предназначенный для неё держатель на MB-D12 (Рисунок В-2).
- 3 Вставьте MB-D12, совмещая крепежный винт (Рисунок С-2) с гнездом для штатива фотоаппарата (Рисунок С-1) и плотно затяните колесико фиксатора, поворачивая его в направлении, указанном стрелкой **LOCK** (Рисунок D). Нет необходимости извлекать батарею из фотоаппарата перед подсоединением MB-D12. По фабричной установке вставленная в фотоаппарат батарея будет использоваться только после разрядки батареи в MB-D12. Параметром **Порядок батарей** в меню пользовательских настроек фотоаппарата (Группа d) можно воспользоваться, чтобы поменять порядок использования батарей.

Не забывайте класть крышку контактов фотоаппарата в предназначенный для нее держатель, и храните крышку контактов MB-D12 в надежном месте, чтобы она не потерялась.

При использовании с MB-D12 фокусирующего меха PB-6 требуются PB-6D и автоматическое удлинительное кольцо PK-13.


Извлечение рукоятки

Чтобы отсоединить рукоятку MB-D12, выключите фотоаппарат и установите блокировочный переключатель рукоятки MB-D12 в положение **L**, затем ослабьте колесико фиксатора и отсоедините MB-D12. Не забывайте ставить на место крышку контактов на фотоаппарате и крышку контактов на рукоятке MB-D12, если рукоятка не используется.

Установка батарей

MB-D12 можно использовать с одной аккумуляторной литий-ионной батареей EN-EL15 или EN-EL18 или с восемью батареями AA. При использовании батареи EN-EL18 требуется крышка батарейного отсека BL-5 (приобретается дополнительно).

Прежде чем вставить батареи, убедитесь, что фотоаппарат выключен, а блокировочный переключатель находится в положении **L**.

- 1 Поверните защёлку батарейного отсека рукоятки MB-D12 в положение  и откройте крышку держателя батареек (Рисунок E).
- 2 Подготовьте батарейки, как описано ниже.

EN-EL15: Совмещая выемки на батарее с выступами на держателе MS-D12EN, вставьте батарею так, чтобы стрелка (▲) на батарее была направлена на контакты питания держателя батарей (Рисунок F-①). Слегка нажмите на батарею и вставьте её в направлении, указанном стрелкой, до тех пор, пока контакты питания не защёлкнутся на месте (Рисунок F-②).

EN-EL18: Если защелка батареи на дополнительной крышке батарейного отсека BL-5 расположена так, что видна стрелка ◁, сдвиньте защелку, чтобы закрыть стрелку (Рис. G-①). Вставьте два выступа на батарее в соответствующие отверстия на BL-5 (Рис. G-②) и проверьте, что защелка батареи сдвинулась в сторону так, чтобы показалась стрелка.

Батареи AA: Поместите восемь батарей AA в держатель батарей MS-D12, как показано на Рис. H, соблюдая полярность.

- 3 Вставьте батарею в держатель в рукоятке MB-D12 и защелкните крышку батарейного отсека (Рисунок I). Перед поворотом защелки убедитесь в том, что держатель вставлен полностью.
- 4 Включите фотоаппарат и проверьте уровень заряда батареи на контрольном дисплее или в видоискателе. Если фотоаппарат не включается, проверьте правильность установки батарей.

Разъем питания EP-5B

При использовании разъема питания EP-5B, вставьте его в держатель MS-D12EN так, чтобы стрелка (▲) на разъеме была направлена на клеммы питания. Слегка нажмите на разъем и плавно вставьте его в направлении стрелки, пока клеммы питания не встанут на место (Рисунок J-①). Откройте держатель крышки разъема питания и протяните сетевой шнур EP-5B через отверстие (Рисунок J-②).

Уровень заряда батареи

Уровень заряда батареи отображается фотокамерой следующим образом.

Батарея EN-EL15/EN-EL18

| Контрольный дисплей | Видоискатель | Описание |
|---------------------|--------------|--|
| | — | Батарея полностью заряжена. |
| | — | Батарея частично разряжена. |
| | — | |
| | — | |
| | | Низкий уровень заряда батареи. Приготовьте полностью заряженную запасную батарею или зарядите батарею. |
| | | Батарея разряжена. Зарядите или замените батарею. |

Батареи AA

| Контрольный дисплей | Видоискатель | Описание |
|---------------------|--------------|---|
| | — | Остаток заряда. |
| | | Низкий уровень заряда батарей. Подготовьте запасной комплект батарей. |
| | | Батареи разряжены. Спусковая кнопка затвора заблокирована. |

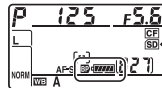
Параметром в Группе d в меню пользовательских настроек фотоаппарата можно воспользоваться, чтобы поменять порядок использования батарей. Когда фотоаппарат питается от рукоятки MB-D12, на панели управления показывается символ **BP**. Если мигает символ **BP**, значит крышка батарейного отсека не закрыта. Закройте и защелкните крышку батарейного отсека.

Чтобы убедиться, что фотоаппарат показывает правильный уровень заряда батарей, выберите соответствующий параметр для **Тип батареи**

MB-D12 в меню пользовательских настроек фотоаппарата (Группа d). Если не выбран правильный параметр, фотоаппарат может не функционировать должным образом.

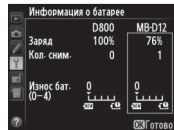
| Параметр | Тип батарей |
|-----------------------|---------------------------------|
| LR6 (AA, щелочная) | Щелочная AA (LR6) |
| Ni-MH HR6 (AA, Ni-MH) | Никель-металлгидридная AA (HR6) |
| FR6 (AA, литиевая) | Литиевая AA (FR6) |

Извлекайте батареи, когда MB-D12 не используется.



Информация о батарее


Информацию о батарее (включая информацию о калибровке для батарей EN-EL18) можно просматривать в меню настройки фотокамеры (батарея фотокамеры находится в списке слева, батарея MB-D12 – справа). Когда используются батареи AA, показывается только символ уровня заряда батареи. Смотрите руководство к фотокамере для получения подробностей.



Примечание: На рисунках на этой странице показан фотоаппарат D800.

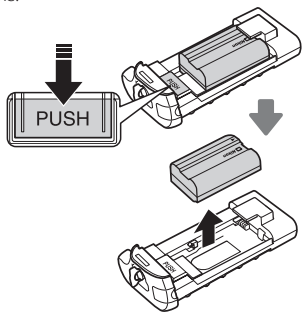
Извлечение батарей

Будьте осторожны и не роняйте батареи или держатель.

- 1 Поверните защёлку батарейного отсека рукоятки MB-D12 в положение  и откройте крышку держателя батареек (Рисунок E).
- 2 Извлеките батарею или батареи из держателя.


EN-EL15

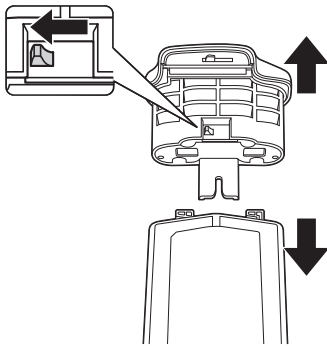
Нажимая кнопку **PUSH** держателя батареек, сдвиньте батарею по направлению кнопки. Батарею можно вынуть, как показано на рисунке.



Процедура извлечения разъема питания EP-5B такая же, как и для EN-EL15.

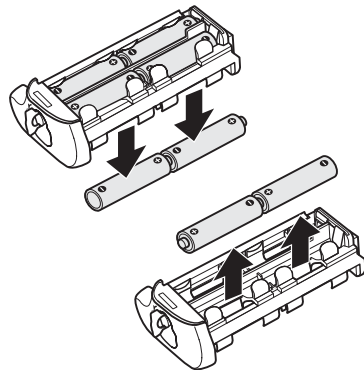
EN-EL18

Сдвиньте защёлку батареи в направлении, указанном стрелкой () и снимите крышку батарейного отсека.



Батареи AA

Выньте батареи AA, как показано на рисунке. Будьте осторожны и не уроните батареи при извлечении их из держателя.



Технические характеристики

| | |
|----------------------------|--|
| Источник питания | Одна аккумуляторная литий-ионная батарея EN-EL15 или EN-EL18, восемь щелочных LR6, никель-металлогидридных HR6 или литиевых FR6 батарей AA или сетевой блок питания EH-5b/EH-5a/EH-5 (требуется разъем питания EP-5B) |
| Рабочая температура | От 0 до 40 °C |
| Размеры (Ш × В × Г) | Приблизительно 151 × 50 × 81 мм |
| Масса | Примерно 365 г с MS-D12EN и дополнительной батареей EN-EL15 Примерно 460 г с MS-D12 и восемью батареями AA (приобретаются дополнительно от сторонних поставщиков) Примерно 310 г с MS-D12EN и дополнительным разъемом питания EP-5B Примерно 425 г с дополнительной крышкой BL-5 и батареей EN-EL18 Примерно 280 г с MS-D12EN Примерно 270 г с MS-D12 |

Технические характеристики и конструкция устройства могут быть изменены без дополнительного уведомления.

Батареи EN-EL15 и EN-EL18

Рабочие характеристики батарей EN-EL15 и EN-EL18 ухудшаются при температурах ниже 10 °C. Следите за тем, чтобы батареи были полностью заряжены, и имейте под рукой тёплую запасную батарею, которую можно вставить при необходимости. В тепле холодные батареи вернут часть своего заряда.

Батареи AA

Из-за ограниченной емкости щелочных батарей AA LR6, их следует использовать только в тех случаях, когда нет другой альтернативы.

Ёмкость батарей AA может быть разной, в зависимости от производителя и условий хранения, и в некоторых случаях может быть очень мала; в некоторых случаях батареи AA могут перестать работать до истечения их срока годности. Помните, что ёмкость батарей AA может уменьшиться при температурах ниже 20 °C. Не рекомендуется использовать при низких температурах.

Скорость съёмки

Батареи EN-EL18 и AA поддерживают более высокие значения скорости съёмки, чем EN-EL15. Однако имейте в виду, что при использовании батарей AA скорость съёмки уменьшится при низких температурах или при низком заряде батарей. Более подробные сведения о значениях скорости съёмки см. в руководстве к фотокамере.

MB-D12 multifunktionsbatterigreb

Brugervejledning

Indholdsfortegnelse

| | |
|--|---|
| Sikkerhedsforskrifter..... | 2 |
| Bemærkning til kunder i Europa..... | 2 |
| Forholdsregler for anvendelse | 2 |
| Indledning..... | 3 |
| MB-D12 og tilbehør | 3 |
| MB-D12 og medfølgende tilbehør | 3 |
| Anvendelse af den ekstra EH-5a/EH-5b-lysnetaadapter og EP-5B-stikket til lysnetaadapteren | 3 |
| Anvendelse af det ekstra BL-5 batterikammerdæksel..... | 3 |
| Komponenter på MB-D12 | 4 |
| MB-D12's udløserknap, multivælger, kommandohjul og AF-ON-knap | 4 |
| MB-D12-knaplåsen | 4 |
| Anvendelse af batteriet | 5 |
| Montering af batteriet | 5 |
| Fjernelse af batteriet | 5 |
| Isætning af batterier | 6 |
| Fjernelse af batterier | 8 |
| Specifikationer..... | 9 |

Sikkerhedsforskrifter

Læs denne manual grundigt igennem før anvendelse af dette produkt for at sikre korrekt funktion. Efter at have læst manualen skal du opbevare den tilgængeligt for alle, der anvender produktet.

Bemærkning til kunder i Europa

ADVARSEL

DER ER FARE FOR EKSPLOSION, HVIS BATTERIET UDSKIFTES MED EN UKORREKT TYPE. AFSKAF BRUGTE BATTERIER I HENHOLD TIL INSTRUKTIONERNE.

Dk

Dette symbol angiver, at dette produkt skal indleveres separat.



Følgende gælder kun for brugere i europæiske lande:

- Dette produkt er beregnet til separat indlevering hos et særligt anlæg for denne slags affald. Smid ikke batteriet ud sammen med husholdningsaffald.
- Hvis du ønsker yderligere oplysninger, kan du kontakte forhandleren eller de lokale myndigheder, som er ansvarlige for affaldshåndtering.

Forholdsregler for anvendelse

- MB-D12 er udelukkende til anvendelse med kompatible kameraer.
- Må ikke anvendes med batterier og batteriholdere, der ikke anbefales i denne manual.
- For at undgå elektriske kortslutninger forårsaget af metalobjekter, der rører strømpolerne, skal du sætte kontaktdækslet på igen, når MB-D12 ikke anvendes.
- Når du fjerner en batteriholder fra MB-D12, skal du fjerne batterierne eller sætte holderen eller dækslet i batteriholderhuset for at undgå elektriske kortslutninger forårsaget af kontakt med andre metalobjekter.
- Hukommelseskortlampen tændes muligvis, når MB-D12 monteres eller fjernes fra kameraet, men dette er ikke en funktionsfejl.
- Oplever du røg eller en usædvanlig lugt fra batteriet, skal du omgående stoppe anvendelse. Efter fjernelse af batterierne skal du indlevere enheden hos detailhandleren eller en Nikon-autoriseret forhandler til eftersyn.
- MB-D12 er ikke i sig selv udstyret med en afbryder. Anvend kameraets afbryder til at slukke kameraet.

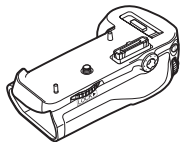
Indledning

Tak, fordi du har købt et MB-D12 multifunktionsbatterigreb til anvendelse i alle Nikon digitale spejlreflekskameraer, hvor MB-D12 fremgår af listen i kameraets brugervejledning som kompatibelt tilbehør. MB-D12 anvender et genopladeligt EN-EL15- eller EN-EL18-batteri eller otte AA-batterier (alkaliske, Ni-MH eller lithium) og har en alternativ udløserknap, **AF-ON**-knap, multi selector (multivælger) samt primært og sekundært kommandohjul for optagelse af billeder i „høj“ (portræt) format. Kameramenuens funktioner gør det muligt at vælge, om kameraets batteri eller batterierne i MB-D12 skal anvendes først; se kameraets brugervejledning for detaljer.

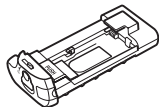
MB-D12 og tilbehør

MB-D12 og medfølgende tilbehør

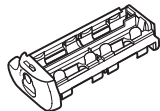
Kontrollér, at følgende ting leveres med MB-D12 (batterier sælges separat):



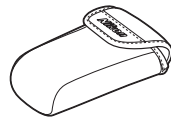
Batterisæt MB-D12



MS-D12EN-holder til
EN-EL15-batterier



MS-D12-holder til
AA-batterier



Holderetui



Kontaktdæksel

MS-D12EN er indsat i MB-D12 fra fabrikken. Se „Isætning af batterier“ for information om fjernelse af batteriholderen.

Anvendelse af den ekstra EH-5a/EH-5b-lysetadapter og EP-5B-stikket til lysetadapteren

Den ekstra EH-5a/EH-5b-lysetadapter og EP-5B-stikket til lysetadapteren er en pålidelig strømkilde, når kameraet anvendes i længere tid. For at anvende en lysetadapter sammen med MB-D12 skal du indsætte EP-5B i MS-D12EN-batteriholderen som beskrevet på side 6 og derefter tilslutte EH-5a/EH-5b som beskrevet i dokumentationen til EP-5B.

Anvendelse af det ekstra BL-5 batterikammerdæksel

Når du anvender EN-EL18-batterier, er et BL-5 batterikammerdæksel (forhandles separat) påkrævet.



BL-5 batterikammerdæksel

- Brugervejledning (denne manual)
- Garanti

Komponenter på MB-D12 (Figur A)

- ① Kontaktdæksel
- ② Holder til kameraets kontaktdæksel
- ③ Strøm-/signalkontakter
- ④ Knappen **AF-ON**
- ⑤ Primært kommandohjul
- ⑥ Multivælger
- ⑦ Monteringshjul
- ⑧ Holderens stikdæksel
- ⑨ Batterikammerdæksel
- ⑩ Batterikammer
- ⑪ Lås til batterikammer
- ⑫ Skrue til fatning
- ⑬ Udløserknop
- ⑭ Knaplås
- ⑮ Sekundært kommandohjul
- ⑯ Stativgevind
- ⑰ MS-D12EN-holder til EN-EL15-batterier
- ⑱ Strømpoler
- ⑲ Strømpoler (MS-D12EN-batteriholder)
- ⑳ MS-D12-holder til AA-batterier
- ㉑ Strømpoler (MS-D12 batteriholder)
- ㉒ BL-5 batterikammerdæksel (forhandles separat)

MB-D12's udløserknop, multivælger, kommandohjul og AF-ON-knop

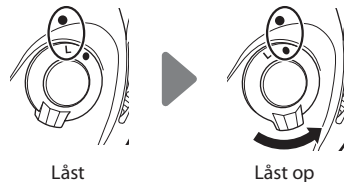
MB-D12 er udstyret med en udløserknop (Figur A-⑬), multivælger (Figur A-⑥), primært kommandohjul (Figur A-⑤), sekundært kommandohjul (Figur A-⑮) og knappen **AF-ON** (Figur A-④) til anvendelse ved fotografering i lodret („høj” eller portræt) format. Disse knapper har samme funktioner som de tilsvarende knapper på kameraet. Se kameraets brugervejledning for yderligere information.

Når du foretager ændringer for **Multivælgers midterknop, Multivælger, Tilpas kommandohjul** og **Tilknyt AF-ON på MB-D12** i kameramenuen Brugerindstillinger (Gruppe f), gælder disse også for multi selector (multivælgeren), kommandohjulene og knappen **AF-ON** på MB-D12.

MB-D12-knaplåsen

Knaplåsen (Figur A-⑭) låser MB-D12-knapperne for at undgå utilsigtet anvendelse. Før anvendelse af disse knapper til fotografering i lodret (portræt) format skal du udløse låsen som vist til højre.

Knaplåsen er ikke en afbryder. Anvend kameraets afbryder for at tænde og slukke kameraet.



Anvendelse af batteriet

Montering af batteriet

Før montering af batteriet skal du sørge for, at kameraet er slukket og at knaplåsen på MB-D12 (Figur A-14) er i positionen **L** (illustrationerne viser D800).

- 1 Fjern kontaktdækslet (Figur A-1) fra batterisættet.
- 2 Kontakterne til MB-D12 er i bunden af kameraet, hvor de er beskyttet af et kontaktdæksel. Fjern kontaktdækslet som vist i Figur B-1 og sæt det i kontaktdækselholderen på MB-D12 (Figur B-2).
- 3 Placér MB-D12, mens skruen til fatningen på MB-D12 (Figur C-2) holdes ud for kameraets stativgevind (Figur C-1) og spænd monteringshjulet ved at dreje det i den retning, pilen **LOCK** viser (Figur D). Du behøver ikke at fjerne batteriet fra kameraet før tilslutning af MB-D12. I standardindstillingerne bliver det batteri, der er indsat i kameraet, kun anvendt, når batteriet i MB-D12 er afladet. Valgmuligheden **Batterirækkefølge** i kameraets brugerindstillingsmenu (Gruppe d) kan anvendes til at ændre rækkefølgen for anvendelsen af batterierne.

Sørg for at sætte kameraets kontaktdæksel i kontaktdækselholderen og at opbevare kontaktdækslet til MB-D12 på et sikkert sted, så det ikke bliver væk.

Der kræves mellemringe af typerne PB-6D og PK-13, når du anvender PB-6 bælgudstyr sammen med MB-D12.


Fjernelse af batteriet

For at fjerne MB-D12 skal du slukke kameraet og indstille knaplåsen på MB-D12 til **L**, herefter løsne monteringshjulet og fjerne MB-D12. Sørg for at sætte kontaktdækslerne på både kameraet og MB-D12, når batteriet ikke anvendes.

Isætning af batterier

MB-D12 kan anvendes med et genopladeligt Li-ion-batteri af typerne EN-EL15 eller EN-EL18 eller otte AA-batterier. Når du anvender et EN-EL18-batteri, er et BL-5 batterikammerdæksel (forhandles separat) påkrævet.

Før isætning af batterier skal du sørge for, at kameraet er slukket og at knaplåsen på MB-D12 er i positionen **L**.

- 1 Drej batterikammerlåsen på MB-D12 hen på  og fjern batteriholderen (Figur E).
- 2 Klargør batterierne som beskrevet nedenfor.

EN-EL15: Mens du får indrykninger på batteriet til at passe med projektionerne på holderen til MS-D12EN, skal du isætte batteriet med pilen (▲) på det vendt mod batteriholderens strømpoler (Figur F-①). Tryk batteriet lidt nedad og skub det i pilens retning, indtil strømpolerne falder i hak (Figur F-②).

EN-EL18: Hvis batteriudløseren på det ekstra BL-5 batterikammerdæksel er placeret, så pilen ◁ er synlig, skal du skubbe batteriudløseren, så den dækker pilen (Figur G-①). Sæt batteriets to projektioner i på de dertil beregnede pladser på BL-5 (Figur G-②), og kontrollér, at batteriudløseren er skubbet til side, så pilen kan ses.

AA-batterier: Sæt otte AA-batterier i MS-D12 batteriholderen som vist i Figur H, og kontrollér, at de vender rigtigt.

- 3 Sæt batteriholderen i MB-D12 og lås batterikammerdækslet (Figur I). Sørg for, at batteriholderen er sat helt i, inden du drejer låsen.
- 4 Tænd kameraet og kontrollér batteriniveauet i kontrolpanelet eller søgeren. Hvis kameraet ikke tænder, skal du kontrollere, at batteriet er sat rigtigt i.








EP-5B-stikket

Når du anvender EP-5B-stikket, skal du sætte det i MS-D12EN-holderen med pilen (▲) på stikket vendt mod batteriets strømpoler. Tryk stikket lidt nedad og skub det i pilens retning, indtil strømpolerne falder i hak (Figur J-①). Åbn holderens stikdæksel og før EP-5B-kablet igennem åbningen (Figur J-②).






Batteriniveau

Kameraet viser batteriniveauet som følger:

EN-EL15/EN-EL18-batteri




| Kontrolpanel | Søger | Beskrivelse |
|--|--|--|
|  | — | Batteriet er ladet helt op. |
|  | — | Batteriet er delvist afladet. |
|  | — | |
|  |  | Lav batterikapacitet. Klargør et ekstra fuldt opladet batteri eller oplad batteriet. |
|  (blinker) |  (blinker) | Batteri afladet. Oplad eller udskift batteriet. |

AA-batterier

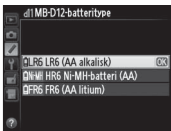
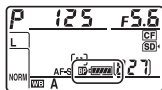
| Kontrolpanel | Søger | Beskrivelse |
|--|--|---|
|  | — | Resterende opladningstid. |
|  |  | Lav batterikapacitet. Klargør ekstra batterier. |
|  (blinker) |  (blinker) | Batterier afladet. Udløseren er deaktiveret. |

En valgmulighed i Gruppe d i kameraets brugerindstillingsmenu kan anvendes til at ændre rækkefølgen for batteriernes anvendelse. Når kameraet får strøm fra MB-D12, vises ikonet  i kontrolpanelet. Hvis ikonet  blinker, er batterikammerdækslet ikke låst. Luk og lås batterikammerdækslet.

For at sikre, at kameraet viser det rigtige batteriniveau, når der anvendes AA-batterier, skal du vælge den passende mulighed for **MB-D12-batteritype** i kameraets brugerindstillingsmenu (Gruppe d). Hvis den rigtige mulighed ikke er valgt, fungerer kameraet muligvis ikke som ventet.

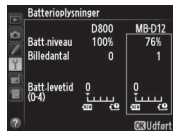
| Valgmulighed | Batteritype |
|--|--------------------|
|  LR6 LR6 (AA alkalisk) | AA alkaliske (LR6) |
|  Ni-MH HR6 Ni-MH-batteri (AA) | AA Ni-MH (HR6) |
|  FR6 FR6 (AA litium) | AA litium (FR6) |

Fjern batterierne, når MB-D12 ikke anvendes.



Batteriopllysninger

Du kan få vist information om batteri (herunder information om kalibrering af EN-EL18-batterier) fra kameraets opsætningsmenu (typer af kamerabatterier er opstillet til venstre og MB-D12 til højre). Kun ikonet for batteriniveau vises, når der anvendes AA-batterier. Se kameraets brugervejledning for detaljer.




Dk

Bemærk: Illustrationerne på denne side stammer fra D800.

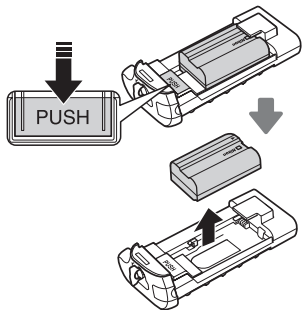
Fjernelse af batterier

Pas på ikke at tabe batterierne eller holderen.

- 1 Drej batterikammerlåsen på MB-D12 hen på  og fjern batteriholderen (Figur E).
- 2 Fjern batteriet eller batterierne fra holderen.


EN-EL15

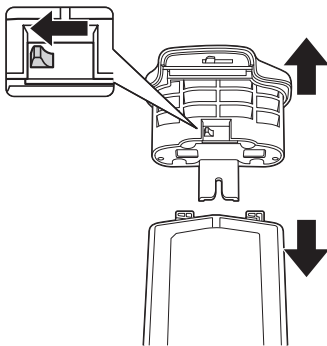
Mens du trykker på holderens **PUSH**-knap, skal du skubbe batteriet hen mod knappen. Batteriet kan så fjernes som vist.



Proceduren for fjernelse af EP-5B-stikket er den samme som for EN-EL15.

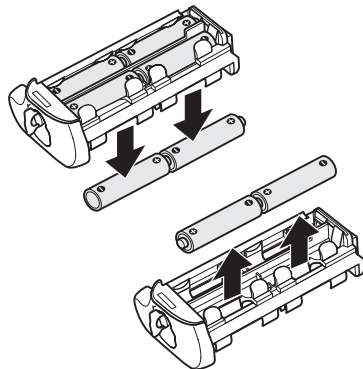
EN-EL18

Skub batteriudløseren i den retning, pilen () angiver, og fjern batterikammerdækslet.



AA-batterier

Fjern batterierne som vist. Pas på ikke at tabe batterierne, når du fjerner dem fra holderen.



Specifikationer

| | |
|-------------------------|---|
| Strømkilde | Et genopladeligt Li-ion-batteri af typerne EN-EL15 eller EN-EL18, otte alkaliske LR6-, HR6 Ni-MH- eller FR6 lithium AA-batterier, eller EH-5b-/EH-5a-/EH-5 lysnetadapter (kræver EP-5B netstik) |
| Driftstemperatur | 0–40 °C |
| Mål (B × H × D) | Ca. 151 × 50 × 81 mm |
| Vægt | Ca. 365 g med MS-D12EN og ekstra EN-EL15-batteri Ca. 460 g med MS-D12 og otte AA-batterier (sælges separat hos tredjepartsforhandlere) Ca. 310 g med MS-D12EN og ekstra EP-5B netstik Ca. 425 g med ekstra BL-5 og EN-EL18-batteri Ca. 280 g med MS-D12EN Ca. 270 g med MS-D12 |

Specifikationer og design kan ændres uden varsel.

EN-EL15- og EN-EL18-batterier

Ved temperaturer under cirka 10 °C falder ydeevnen for EN-EL15- og EN-EL18-batterier. Sørg for, at batteriet er fuldt opladet og hav et varmt ekstra batteri ved hånden for at kunne udskifte efter behov. Kolde batterier genvinder noget af deres ladning, når de varmes.

AA-batterier

Grundet deres begrænsede kapacitet bør AA LR6 alkaliske batterier kun anvendes, når der ikke er andet alternativ.

AA-batteriers kapacitet varierer med mærke og opbevaringsbetingelser og kan i visse tilfælde være ekstremt lav. Nogle gange kan AA-batterier holde op med at fungere før deres udløbsdato. Bemærk, at AA-batteriers kapacitet kan forringes ved temperaturer under 20 °C. Anvendelse anbefales ikke ved lave temperaturer.

Billedfremføringshastighed

EN-EL18- og AA-batterier understøtter højere billedfremføringshastigheder end EN-EL15-batterier. Bemærk dog, at billedfremføringshastigheden falder ved lave temperaturer eller batteriniveauer, når der anvendes AA-batterier. Se kameraets brugervejledning for yderligere information om billedfremføringshastigheder.

MB-D12 Multifunctionele battery pack

Gebruikshandleiding

Inhoudsopgave

| | |
|---|---|
| Veiligheidsmaatregelen | 2 |
| Mededeling voor Europese klanten | 2 |
| Voorzorgsmaatregelen voor gebruik | 2 |
| Inleiding | 3 |
| The MB-D12 en accessoires | 3 |
| The MB-D12 en meegeleverde accessoires | 3 |
| De optionele EH-5a/EH-5b lichtnetadapter en EP-5B stroomaansluiting gebruiken..... | 3 |
| Het deksel van het optionele BL-5 batterijvak gebruiken | 3 |
| Onderdelen van de MB-D12 | 4 |
| De MB-D12 ontspanknop, multi-selector, instelschijven en AF-ON-knop..... | 4 |
| MB-D12 Bedieningsvergrendeling..... | 4 |
| Het battery pack gebruiken | 5 |
| Het battery pack aansluiten | 5 |
| Het battery pack verwijderen..... | 5 |
| Batterijen plaatsen..... | 6 |
| De batterijen verwijderen | 8 |
| Specificaties..... | 9 |

Veiligheidsmaatregelen

Om verzekerd te zijn van een goede werking, dient u deze handleiding goed door te nemen voordat u het product gebruikt. Bewaar deze handleiding na het lezen op een plek die zichtbaar is voor iedereen die het product gebruikt.

Mededeling voor Europese klanten

WAARSCHUWING

GEVAAR VOOR EXPLOSIE ALS BATTERIJ WORDT VERVANGEN VOOR EEN ONJUIST TYPE. VOER BATTERIJEN AF VOLGENS DE INSTRUCTIES.

Dit pictogram geeft aan dat dit product via gescheiden inzameling moet worden afgevoerd.



Het volgende is alleen van toepassing op gebruikers in Europese landen:

- Dit product moet gescheiden van het overige afval worden ingeleverd bij een daarvoor bestemd inzamelingspunt. Gooi dit product niet weg als huishoudafval.
- Neem voor meer informatie contact op met de leverancier of de gemeentelijke reinigingsdienst.

Voorzorgsmaatregelen voor gebruik

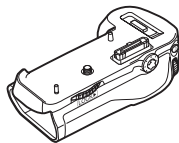
- De MB-D12 is alleen bestemd voor gebruik met compatibele camera's.
- Gebruik het apparaat niet met batterijen of batterijhouders die niet in deze handleiding worden aanbevolen.
- Om te voorkomen dat metalen voorwerpen de batterijcontacten raken en kortsluiting veroorzaken, dient u het afdekkapje terug te plaatsen als de MB-D12 niet wordt gebruikt.
- Wanneer u een batterijhouder verwijdert van de MB-D12, verwijdert u de batterijen of bergt u de houder of het deksel op in het opbergzakje om te voorkomen dat contact met andere metalen voorwerpen kortsluiting veroorzaakt.
- Het toegangslampje van de geheugenkaart kan oplichten wanneer de MB-D12 wordt bevestigd aan of verwijderd van de camera. Dat is geen storing.
- Als het battery pack rook of een ongewone geur afgeeft of een ongewoon geluid maakt, staakt u onmiddellijk het gebruik ervan. Verwijder de batterijen en breng het battery pack voor onderzoek naar de leverancier of een door Nikon goedgekeurde servicedienst.
- De MB-D12 is niet voorzien van een aan/uitschakelaar. Gebruik de hoofdschakelaar van de camera om het battery pack in of uit te schakelen.

Gefeliciteerd met uw aanschaf van een MB-D12 multifunctionele battery pack voor gebruik met alle Nikon digitale reflexcamera's die in de camerahandleiding de MB-D12 vermelden als een compatibel accessoire. De MB-D12 gebruikt één EN-EL15 of EN-EL18 oplaadbare batterij of acht AA-batterijen (alkaline, Ni-MH of lithium) en beschikt over een afwisselende ontspanknop, **AF-ON**-knop, multi-selector en zowel gewone instelschijven als secundaire instelschijven voor het maken van foto's in pretstand (staand). Met de opties in het menu van de camera kunt u aangeven of de batterijen in de camera of de batterijen in de MB-D12 het eerst moeten worden gebruikt. Raadpleeg de handleiding van de camera voor details.

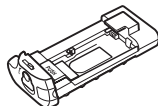
The MB-D12 en accessoires

The MB-D12 en meegeleverde accessoires

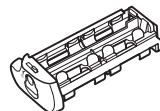
Controleer of de volgende items met de MB-D12 werden meegeleverd (batterijen worden apart verkocht).



MB-D12



MS-D12EN houder voor
EN-EL15-batterijen



MS-D12 houder
voor AA-batterijen



Opbergzakje



Afdekkapje

De MB-D12 wordt geleverd met een geplaatste MS-D12EN. Raadpleeg 'Batterijen plaatsen' voor informatie over het verwijderen van de batterijhouder.

- Gebruikshandleiding (deze handleiding)
- Waarborg

De optionele EH-5a/EH-5b lichtnetadapter en EP-5B stroomaansluiting gebruiken

De optionele EH-5a/EH-5b lichtnetadapter en EP-5B stroomaansluiting leveren een betrouwbare voedingsbron wanneer de camera voor langere perioden wordt gebruikt. Plaats de EP-5B in de MS-D12EN batterijhouder zoals beschreven op pagina 6 om een lichtnetadapter in combinatie met de MB-D12 te gebruiken en sluit vervolgens de EH-5a/EH-5b aan, zoals beschreven in de documentatie geleverd met de EP-5B.

Het deksel van het optionele BL-5 batterijvak gebruiken

Een deksel van het BL-5 batterijvak (los verkrijgbaar) is vereist bij gebruik van EN-EL18 batterijen.



Deksel BL-5
batterijvak

Onderdelen van de MB-D12 (figuur A)

- ① Afdekkapje
- ② Houder voor contactdeksel van de camera
- ③ Stroom-/signaalcontacten
- ④ **AF-ON**-knop
- ⑤ Hoofdinstelelschijf
- ⑥ Multi-selector
- ⑦ Bevestigingswiel
- ⑧ Houder voor de afdekking van de stroomaansluiting
- ⑨ Deksel van batterijvak
- ⑩ Batterijvak
- ⑪ Vergrendeling batterijvak
- ⑫ Bevestigingsschroef
- ⑬ Ontspanknop
- ⑭ Bedieningsvergrendeling
- ⑮ Secundaire instelschijf
- ⑯ Statiefaansluiting
- ⑰ MS-D12EN houder voor EN-EL15 batterijen
- ⑱ Batterijcontacten
- ⑲ Batterijcontacten (MS-D12EN batterijhouder)
- ⑳ MS-D12 houder voor AA-batterijen
- ㉑ Batterijcontacten (MS-D12 batterijhouder)
- ㉒ Deksel BL-5 batterijvak (los verkrijgbaar)

De MB-D12 ontspanknop, multi-selector, instelschijven en AF-ON-knop

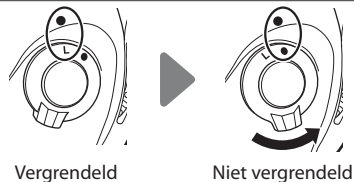
De MB-D12 is uitgerust met een ontspanknop (figuur A-⑬), multi-selector (figuur A-⑥), hoofdinstelelschijf (figuur A-⑤), secundaire instelschijf (figuur A-⑮) en **AF-ON**-knop (figuur A-④) waarmee u verticale (portret) opnamen kunt maken. Deze besturingen voeren dezelfde functies uit als de overeenkomstige besturingen op de camera. Zie de camerahandleiding voor meer informatie.

Het wijzigen van **Centrale knop multi-selector, Multi-selector, Functie instelschijven inst.** en **AF-ON MB-D12 toewijzen** in het cameramenu Persoonlijke instellingen (groep f) is ook van toepassing op de multi-selector, instelschijven en **AF-ON**-knop op de MB-D12.

MB-D12 Bedieningsvergrendeling

Met de bedieningsvergrendeling (figuur A-⑭) kunt u de bedieningsknoppen op de MB-D12 vergrendelen om onbedoeld gebruik ervan te voorkomen. Voordat u deze bedieningsknoppen gebruikt om foto's met verticale (portret) oriëntatie te maken, heft u de vergrendeling op zoals rechts wordt afgebeeld.

De bedieningsvergrendeling is geen aan/uitschakelaar. Gebruik de hoofdschakelaar van de camera om de camera in of uit te schakelen.



Het battery pack gebruiken

Het battery pack aansluiten

Controleer voordat u het battery pack aansluit of de camera uit staat en of de bedieningsvergrendeling van de MB-D12 (figuur A-⑭) op de stand **L** staat (de afbeeldingen tonen de D800).

- 1 Verwijder het afdekkapje (figuur A-①) van het battery pack.
- 2 De contacten voor de MB-D12 bevinden zich in de onderkant van de camera, waar ze worden beschermd door een contactdeksel. Verwijder het contactdeksel zoals wordt getoond in figuur B-① en plaats het in de houder voor het contactdeksel op de MB-D12 (figuur B-②).
- 3 Plaats de MB-D12 terwijl u de bevestigingsschroef van de MB-D12 (figuur C-②) uitgelijnd houdt met de statiefaansluiting van de camera (figuur C-①) en draai het bevestigingswiel aan in de richting aangegeven door de **LOCK**-pijl (figuur D). U hoeft de batterij niet uit de camera te verwijderen voordat u de MB-D12 aansluit. Standaard wordt de batterij in de camera pas gebruikt nadat de batterij in de MB-D12 uitgeput is. De optie **Batterijvolgorde** in persoonlijke instelling (groep d) kan worden gebruikt om de volgorde te veranderen waarin de batterijen worden gebruikt.

Om te voorkomen dat u het contactdeksel van de camera verliest en om het MB-D12 afdekkapje op een veilige plaats te bewaren, plaatst u het in de daarvoor bestemde houder.

Een PB-6D en PK-13 automatische tussenring zijn vereist bij gebruik van een PB-6 balgapparaat met de MB-D12.

Het battery pack verwijderen




U verwijdert de MB-D12 door de camera uit te schakelen en de bedieningsvergrendeling op de MB-D12 op **L** te zetten. Draai vervolgens het bevestigingswiel los en verwijder de MB-D12. Zorg ervoor dat u het contactdeksel opnieuw op de camera plaatst en het afdekkapje op de MB-D12 wanneer u het battery pack niet gebruikt.

Batterijen plaatsen

De MB-D12 is geschikt voor gebruik met één EN-EL15 of EN-EL18 oplaadbare Li-ionbatterij of met acht AA-batterijen. Een deksel van het BL-5 batterijvak (los verkrijgbaar) is vereist bij gebruik van een EN-EL18 batterij.

Controleer voordat u de batterijen plaatst of de camera uit staat en of de bedieningsvergrendeling van de MB-D12 op de stand **L** staat.

- 1 Draai de vergrendeling van het batterijvak van de MB-D12 naar  en verwijder de batterijhouder (figuur E).
- 2 Maak de batterijen klaar zoals hieronder wordt beschreven.

EN-EL15: Lijn de inkepingen op de batterij uit met de vooruitstekende delen op de MS-D12EN-houder, plaats de batterij met de pijl () van de batterij in de richting van de batterijcontacten van de batterijhouder (figuur F-). Duw de batterij lichtjes naar beneden en schuif ze in de richting van de pijl tot de batterijcontacten op hun plaats klikken (figuur F-)

EN-EL18: Als de batterijontgrendeling op het deksel van het optionele BL-5 batterijvak zodanig is geplaatst dat de pijl  zichtbaar is, verschuif dan de batterijontgrendeling om de pijl te bedekken (figuur G-). Steek de twee uitstekende delen op de batterij in de bijpassende sleuven op de BL-5 (figuur G-) en controleer of de batterijontgrendeling opzij werd geschoven om de pijl te tonen.

AA-batterijen: Plaats acht AA-batterijen in de MS-D12 batterijhouder, zoals aangeduid in figuur H en zorg dat de batterijen in de juiste richting zijn geplaatst.

- 3 Plaats de batterijhouder in de MB-D12 en vergrendel de deksel van het batterijvak (figuur I). Zorg ervoor dat de houder volledig is ingebracht voordat u aan de vergrendeling draait.
- 4 Zet de camera aan en controleer het batterijniveau op het LCD-venster of in de zoeker. Wanneer de camera niet kan worden ingeschakeld, controleert u of de batterij correct werd geplaatst.





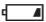



De EP-5B stroomaansluiting

Plaats bij het gebruik van de EP-5B stroomaansluiting deze in de MS-D12EN houder met de pijl () op de aansluiting in de richting van de batterijcontacten. Duw de aansluiting lichtjes naar beneden en schuif deze in de richting van de pijl totdat de contacten op hun plaats klikken (figuur J-). Open de deksel van de stroomaansluitinghouder en leidt de EP-5B stroomkabel door de opening (figuur J-).






Batterijniveau

Het batterijniveau wordt als volgt weergegeven op de camera:

EN-EL15/EN-EL18 batterij




| LCD-venster | Zoeker | Beschrijving |
|---|---|--|
|  | — | Batterij volledig opgeladen. |
|    | — | Batterij gedeeltelijk opgeladen. |
|  |  | Batterij bijna leeg. Neem een volledig opgeladen reservebatterij of laad de batterij op. |
|  (knippert) |  (knippert) | Batterij leeg. Laad de batterij op of vervang de batterij. |

AA-batterijen

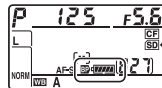
| LCD-venster | Zoeker | Beschrijving |
|---|---|---|
|  | — | Resterende lading. |
|  |  | Batterijen bijna leeg. Houd reservebatterijen gereed. |
|  (knippert) |  (knippert) | Batterijen leeg. Ontspanknop uitgeschakeld. |

Een optie in Groep d in het cameramenu voor Persoonlijke Instellingen kan worden gebruikt om de volgorde te veranderen waarin de batterijen worden gebruikt. Wanneer de camera van stroom wordt voorzien door de MB-D12, wordt een **BP**-pictogram in het LCD-venster afgebeeld. Als het **BP**-pictogram knippert, is het deksel van het batterijvak niet vergrendeld. Sluit en vergrendel het deksel van het batterijvak.

Als u er zeker van wilt zijn dat de camera het juiste batterijniveau weergeeft bij gebruik van AA-batterijen, dient u voor de juiste optie **MB-D12 batterijen** in Persoonlijke Instellingen (Groep d) in het cameramenu te kiezen. Als de juiste optie niet is geselecteerd, werkt de camera mogelijk niet zoals u verwacht.

| Optie | Batterijtype |
|--|-------------------|
|  LR6 (AA alkaline) | AA alkaline (LR6) |
|  HR6 (AA Ni-MH) | AA NiMH (HR6) |
|  FR6 (AA lithium) | AA lithium (FR6) |

Verwijder de batterijen wanneer de MB-D12 niet wordt gebruikt.



Batterijinformatie


Batterijinformatie (inclusief kalibratieinformatie voor EN-EL18 batterijen) kan in het setup-menu van de camera worden bekeken (de camera-batterij wordt links vermeld, de MB-D12 rechts). Alleen het pictogram voor het batterijniveau wordt getoond wanneer AA-batterijen worden gebruikt. Raadpleeg de handleiding van de camera voor details.



Opmerking: De afbeeldingen op deze pagina zijn van de D800.

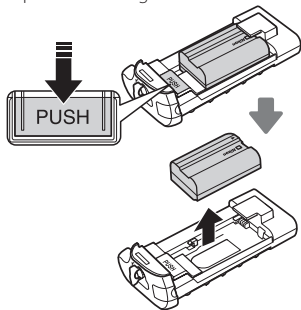
De batterijen verwijderen

Zorg ervoor dat u de batterijen of de houder niet laat vallen.

- 1 Draai de vergrendeling van het batterijvak van de MB-D12 naar  en verwijder de batterijhouder (figuur E).
- 2 Verwijder de batterij of batterijen uit de houder.

EN-EL15

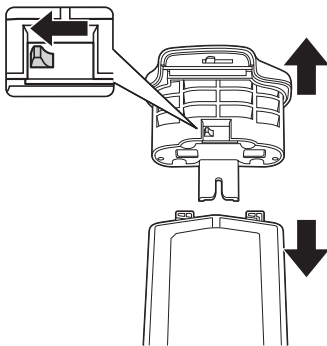
Terwijl u op de **PUSH**-knop van de houder duwt, schuift u de batterij in de richting van de knop. De batterij kan dan worden verwijderd zoals op de afbeelding.



De procedure voor het verwijderen van de EP-5B stroomaansluiting is hetzelfde als de procedure voor de EN-EL15.

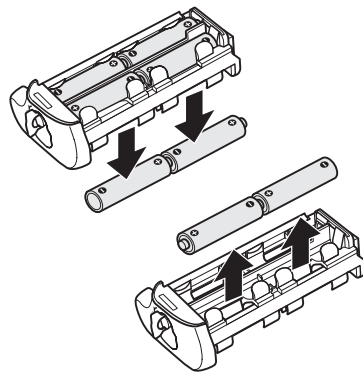
EN-EL18

Schuif de batterijontgrendeling in de richting die wordt aangeduid door de pijl () en verwijder het deksel van het batterijvak.



AA-batterijen

Verwijder de batterijen zoals wordt getoond in de afbeelding. Pas op dat u de batterijen niet laat vallen wanneer u ze uit de houder verwijdert.



Specificaties

| | |
|-------------------------------|--|
| Voeding | Eén EN-EL15 of EN-EL18 oplaadbare Li-ionbatterij, acht LR6 alkaline-, HR6 Ni-MH- of FR6 lithium AA-batterijen of EH-5b/EH-5a/EH-5 lichtnetadapter (vereist EP-5B stroomaansluiting) |
| Gebruikstemperatuur | 0 – 40 °C |
| Afmetingen (B × H × D) | Circa 151 × 50 × 81 mm |
| Gewicht | Ca. 365 g met MS-D12EN en optionele EN-EL15 batterij Ca. 460 g met MS-D12 en acht AA-batterijen (van een ander merk; los verkrijgbaar) Ca. 310 g met MS-D12EN en optionele EP-5B stroomaansluiting Ca. 425 g met optionele BL-5 en optionele EN-EL18 batterij Ca. 280 g met MS-D12EN Ca. 270 g met MS-D12 |

Specificaties en ontwerp kunnen zonder voorafgaande aankondiging worden gewijzigd.

EN-EL15 en EN-EL18 batterijen

De prestaties van EN-EL15 en EN-EL18 batterijen nemen af bij temperaturen lager dan 10 °C. Zorg dat de batterij volledig is opgeladen en houd een warme reservebatterij bij de hand, zodat u die zo nodig kunt gebruiken. Koude batterijen krijgen een deel van hun lading terug wanneer ze opwarmen.

AA-batterijen

Vanwege hun beperkte capaciteit dienen AA LR6 alkalinebatterijen alleen te worden gebruikt als er geen alternatief beschikbaar is.

De capaciteit van AA-batterijen hangt af van het merk en de bewaaromstandigheden en is soms zeer laag. In sommige gevallen werken AA-batterijen niet meer nog voordat de houdbaarheidsdatum is verstreken. Let erop dat de capaciteit van AA-batterijen aanzienlijk kan afnemen bij temperaturen lager dan 20 °C. Het gebruik ervan wordt afgeraden bij lage temperaturen.

Beeldsnelheid

EN-EL18 en AA-batterijen ondersteunen hogere beeldsnelheden dan de EN-EL15; merk echter op dat in het geval van AA-batterijen de beeldsnelheid afneemt bij lage temperaturen of wanneer de batterijen bijna leeg zijn. Zie de camerahandleiding voor meer informatie over beeldsnelheden.

Unidade de alimentação múltipla MB-D12

Manual do utilizador

Índice

| | |
|--|---|
| Precauções de segurança | 2 |
| Aviso para clientes na Europa | 2 |
| Precauções de utilização..... | 2 |
| Introdução | 3 |
| A MB-D12 e os acessórios | 3 |
| A MB-D12 e os acessórios fornecidos..... | 3 |
| Utilizar o adaptador CA opcional EH-5a/EH-5b e o conector de alimentação EP-5B | 3 |
| Usar a tampa opcional BL-5 do compartimento da bateria | 3 |
| Partes do MB-D12 | 4 |
| Botão de disparo do obturador, multisselector, discos de comando, e botão AF-ON da MB-D12..... | 4 |
| MB-D12 Travão de comando | 4 |
| Utilizar a Unidade de alimentação | 5 |
| Colocar a Unidade de alimentação..... | 5 |
| Retirar a Unidade de alimentação | 5 |
| Colocar baterias..... | 6 |
| Retirar as baterias | 8 |
| Especificações | 9 |

Precauções de segurança

Para assegurar o seu bom funcionamento, leia atentamente este manual antes de utilizar o produto. Após a leitura, guarde o manual num local acessível a todos os utilizadores do produto.

Aviso para clientes na Europa

ATENÇÃO

RISCO DE EXPLOSÃO SE A BATERIA FOR SUBSTITUÍDA POR UM TIPO INCORRECTO. DEITE FORA AS BATERIAS USADAS DE ACORDO COM AS INSTRUÇÕES.

Este símbolo indica que este produto deve ser recolhido separadamente.



As informações seguintes aplicam-se apenas a utilizadores em países da Europa:

- Este produto foi concebido para ser recolhido separadamente num ponto de recolha apropriado. Não elimine como resíduo doméstico.
- Para obter mais informações, contacte o revendedor ou as autoridades locais responsáveis pela gestão de resíduos.

Precauções de utilização

- A MB-D12 deve ser usada apenas com câmaras compatíveis.
- Não use com baterias e suportes de baterias não recomendados neste manual.
- Para evitar choques eléctricos provocados por objectos metálicos que entrem em contacto com os terminais de alimentação, coloque a tampa dos contactos quando o MB-D12 não estiver a ser utilizado.
- Quando um suporte de bateria for removido da MB-D12, remova as baterias ou coloque o suporte ou tampa no estojo do suporte para evitar curto-circuitos provocados pelo contacto com outros objectos metálicos.
- A luz de acesso ao cartão de memória poderá acender quando a MB-D12 for instalada ou removida da câmara, mas isto não significa uma avaria.
- Caso repare em fumo ou num cheiro ou ruído estranho proveniente da unidade de alimentação, interrompa imediatamente a sua utilização. Depois de retirar as baterias, leve o dispositivo a um vendedor ou a um representante de assistência Nikon para a sua inspecção.
- O MB-D12 não está equipado com um botão de alimentação. Utilize o botão de alimentação da câmara para a ligar e desligar.

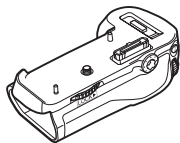
Introdução

Obrigado por ter adquirido uma unidade de alimentação múltipla MB-D12 para uso com todas as câmaras Nikon digitais reflex de objectiva simples cujo manual da câmara liste a MB-D12 como um acessório compatível. A MB-D12 leva uma bateria recarregável EN-EL15 ou EN-EL18 ou oito pilhas AA (alcalinas, Ni-MH ou lítio) e inclui um botão alternativo de disparo do obturador, um botão **AF-ON**, um multisselector e discos de controlo principal e secundário para tirar fotografias na orientação vertical (retrato). As opções do menu da câmara permitem ao utilizador escolher usar primeiro as baterias da câmara ou as da MB-D12; ver o manual da câmara para detalhes.

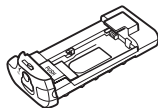
A MB-D12 e os acessórios

A MB-D12 e os acessórios fornecidos

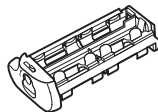
Confirme que os itens seguintes são fornecidos com a MB-D12 (as baterias são vendidas separadamente).



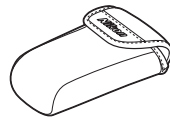
MB-D12



Suporte MS-D12EN para as baterias EN-EL15



Suporte MS-D12 para baterias AA



Estojo do suporte



Tampa dos contactos

O MS-D12EN está introduzido na MB-D12 de fábrica. Ver "Colocar baterias" para informações sobre a remoção de suportes de baterias.

- Manual do utilizador (este manual)
- Garantia

Utilizar o adaptador CA opcional EH-5a/EH-5b e o conector de alimentação EP-5B

O adaptador CA opcional EH-5a/EH-5b e o conector de alimentação EP-5B são uma fonte de energia fiável quando a câmara é usada por longos períodos. Para usar um adaptador CA com a MB-D12, insira o EP-5B no suporte MS-D12EN da bateria, como descrito na página 6, e depois ligue o EH-5a/EH-5b como se descreve na documentação fornecida com o EP-5B.

Usar a tampa opcional BL-5 do compartimento da bateria

É necessária uma tampa BL-5 do compartimento da bateria (disponível em separado) quando utilizar baterias EN-EL18.



Tampa BL-5 do compartimento da bateria

Partes do MB-D12 (Figura A)

- ① Tampa dos contactos
- ② Suporte para tampa de contactos da câmara
- ③ Contactos de alimentação/sinal
- ④ Botão **AF-ON**
- ⑤ Disco de comando principal
- ⑥ Multisselector
- ⑦ Roda de encaixe
- ⑧ Tampa do conector de alimentação do suporte
- ⑨ Tampa de compartimento de baterias
- ⑩ Compartimento de baterias
- ⑪ Fecho do compartimento de baterias
- ⑫ Parafuso de montagem
- ⑬ Botão de disparo do obturador
- ⑭ Travão de comando
- ⑮ Disco de comando secundário
- ⑯ Encaixe para tripé
- ⑰ Suporte MS-D12EN para as baterias EN-EL15
- ⑱ Terminais de alimentação
- ⑲ Terminais de alimentação (Suporte MS-D12EN de bateria)
- ⑳ Suporte MS-D12 para baterias AA
- ㉑ Terminais de alimentação (Suporte MS-D12 de bateria)
- ㉒ Tampa BL-5 do compartimento da bateria (disponível em separado)

Botão de disparo do obturador, multisselector, discos de comando, e botão AF-ON da MB-D12

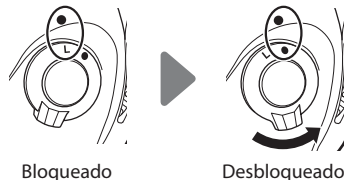
A MB-D12 está equipada com um botão de disparo do obturador (Figura A-⑬), multisselector (Figura A-⑥), disco de controlo principal (Figura A-⑤), disco de controlo secundário (Figura A-⑮), e botão **AF-ON** (Figura A-④) para uso ao tirar fotografias em orientação vertical (“ao alto” ou retrato). Estes controlos fazem as mesmas funções que os controlos correspondentes na câmara. Consulte o manual da câmara para mais informação.

Alterações ao **Botão central multisselector, Multisselector, Personal. discos de controlo e Atribuir AF-ON MB-D12** no menu de ajustes personalizáveis da câmara (grupo f), também se aplicam ao multisselector, discos de controlo e botão **AF-ON** na MB-D12.

MB-D12 Travão de comando

O travão de comando (Figura A-⑭) bloqueia os controlos da MB-D12 para evitar a utilização não intencional. Antes de usar estes controlos para tirar fotografias na orientação vertical (retrato), liberte o travão como mostrado à direita.

O travão de comando não é um interruptor de alimentação. Use o interruptor de alimentação da câmara para ligar e desligar a câmara.



Bloqueado

Desbloqueado

Utilizar a Unidade de alimentação

Colocar a Unidade de alimentação

Antes de colocar a unidade de alimentação, certifique-se de que a câmara está desligada e o travão de comando do MB-D12 (Figura A-14) na posição **L** (as ilustrações mostram a D800).

- 1 Remova a tampa dos contactos (Figura A-1) da unidade de alimentação.
- 2 Os contactos da MB-D12 ficam na base da câmara, onde são protegidos por uma tampa de contactos. Remova a tampa de contactos como mostrado na figura B-1 e coloque-a no suporte da tampa de contactos da MB-D12 (Figura B-2).
- 3 Posicione o MB-D12, mantendo o respectivo parafuso de montagem (Figura C-2) alinhado com o encaixe do tripé (Figura C-1) e aperte a roda de montagem na direcção apresentada pela seta **LOCK** (Bloquear) (Figura D). Não é necessário remover a bateria da câmara antes de ligar à MB-D12. Com configurações padrão, a bateria introduzida na câmara será usada apenas depois da bateria da MB-D12 estar esgotada. A opção **Ordem das baterias** no Menu definiç. personaliz da câmara (Grupo d) pode ser usada para alterar a ordem pela qual as baterias são usadas.

Assegure-se de que coloca a tampa dos contactos da câmara no suporte da tampa de contactos, e a cápsula de contacto da MB-D12 num lugar seguro, assim evitando a sua perda.

Um PB-6D e um anel extensível automático PK-13 são necessários quando utilizar o fole adaptador de focagem PB-6 com a MB-D12.

Retirar a Unidade de alimentação

Para remover a MB-D12, desligue a câmara e regule o travão de comando da MB-D12 em **L**, e depois desaperte a roda de encaixe e remova a MB-D12. Assegure-se de que repõe a tampa de contactos na câmara e a tampa dos contactos na MB-D12 quando a unidade de alimentação não estiver a ser usada.

Colocar baterias

A MB-D12 pode ser utilizada com uma bateria recarregável de íões de lítio EN-EL15 ou EN-EL18 ou oito pilhas AA. É necessária uma tampa BL-5 do compartimento da bateria (disponível em separado) quando utilizar uma bateria EN-EL18.

Antes de introduzir as baterias, assegure-se de que a câmara está desligada e que o travão de comando da MB-D12 está na posição **L**.

1 Rode o travão do compartimento de baterias da MB-D12 para  e remova o suporte das baterias (Figura E).

2 Prepare as baterias como descrito a seguir.

EN-EL15: Fazendo corresponder os entalhes da bateria com as saliências do suporte da MS-D12EN, introduza a bateria com a seta (▲) na bateria virada para os terminais de alimentação do suporte da bateria (Figura F-**1**). Prima ligeiramente para baixo a bateria e faça-a deslizar no sentido da seta até que os terminais de alimentação cliquem ficando no seu lugar (Figura F-**2**).

EN-EL18: Se o trinco da bateria na tampa opcional BL-5 do compartimento da bateria estiver posicionado de forma a que a seta esteja visível, deslize o trinco da bateria para tapar a seta (figura G-**1**). Insira as duas projecções da bateria nas ranhuras correspondentes na BL-5 (figura G-**2**) e confirme que o trinco da bateria está deslizado e permite ver a seta.

Pilhas AA: Coloque oito pilhas AA no suporte da bateria MS-D12 como mostrado na figura H, certificando-se de que as pilhas estão orientadas correctamente.

3 Insira o suporte da bateria na MB-D12 e tranque a tampa do compartimento da bateria (Figura I). Certifique-se de que o suporte está completamente inserido antes de trancar.

4 Ligue a câmara e verifique o nível da bateria no painel de controlo ou no visor. Se a câmara não ligar, verifique se a bateria está correctamente instalada.

0 conector de alimentação EP-5B

Quando utilizar o conector de alimentação EP-5B, insira-o no suporte MS-D12EN com a seta (▲) do conector em direcção aos terminais de alimentação da bateria. Prima o conector ligeiramente para baixo e deslize-o na direcção da seta até que os terminais de alimentação se encaixem no lugar (Figura J-**1**). Abra a tampa do conector de alimentação do suporte e passe o cabo de alimentação EP-5B pela abertura (Figura J-**2**).

Nível de carga da bateria

A câmara apresenta o nível de carga da bateria da seguinte forma:

Bateria EN-EL15/EN-EL18

| Painel de controlo | Visor | Descrição |
|--------------------|------------|--|
| | — | Bateria completamente carregada. |
| | — | Bateria parcialmente descarregada. |
| | | Bateria com pouca carga. Prepare uma bateria sobressalente carregada ou o carregamento da bateria. |
| | | Bateria completamente descarregada. Carregue ou troque a bateria. |
| (a piscar) | (a piscar) | |

Baterias AA

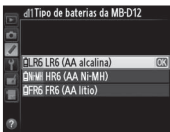
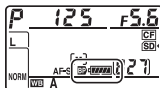
| Painel de controlo | Visor | Descrição |
|--------------------|------------|---|
| | — | Carga restante. |
| | | Baterias com pouca carga. Preparar baterias sobresselentes. |
| | | Baterias completamente descarregadas. Disparo do obturador desactivado. |
| (a piscar) | (a piscar) | |

Uma opção no Grupo d do Menu de Definições personalizadas da câmara pode ser usada para alterar a ordem pela qual as baterias são usadas. Quando a câmara estiver a ser alimentada a partir da MB-D12, é apresentado um ícone BP no painel de controlo. Se o ícone BP piscar, a tampa do compartimento da bateria não está trancada. Feche e tranque a tampa do compartimento da bateria.

Para assegurar que a câmara apresenta o nível correcto de bateria quando são usadas as baterias AA, escolha a opção apropriada para **Tipo de baterias da MB-D12** no Menu de definições personalizadas da câmara (Grupo d). Se não estiver seleccionada a opção correcta, a câmara poderá não funcionar como esperado.

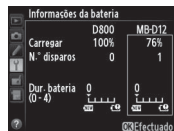
| Opção | Tipo de bateria |
|-----------------------|-------------------|
| LR6 LR6 (AA alcalina) | AA alcalina (LR6) |
| Ni-MH HR6 (AA Ni-MH) | AA NiMH (HR6) |
| FR6 FR6 (AA lítio) | AA de lítio (FR6) |

Retire as baterias quando não estiver a utilizar o MB-D12.



Informações da bateria


A informação da bateria (incluindo a informação de calibração para as baterias EN-EL18) pode ser vista a partir do menu de configuração da câmara (a bateria da câmara está listada à esquerda, a MB-D12 à direita). Quando são usadas pilhas AA, apenas o ícone do nível da bateria é apresentado. Ver o manual da câmara para detalhes.



Nota: As ilustrações nesta página são da D800.

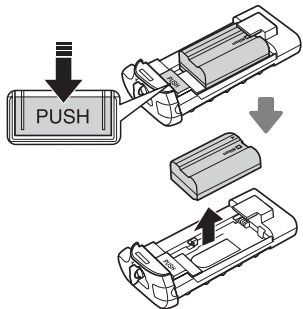
Retirar as baterias

Tenha cuidado para não deixar cair as baterias ou o suporte.

- 1 Rode o travão do compartimento de baterias da MB-D12 para  e remova o suporte das baterias (Figura E).
- 2 Retire a(s) bateria(s) do suporte.


EN-EL15

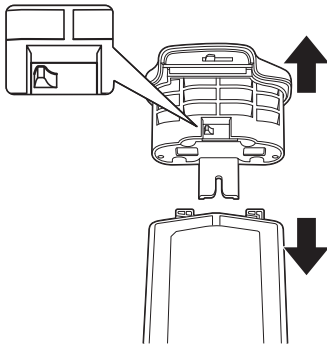
Enquanto prime o botão **PUSH** do suporte, faça deslizar a bateria na direcção do botão. A bateria pode então ser removida como indicado.



O procedimento para remover o conector de alimentação EP-5B é o mesmo que para o EN-EL15.

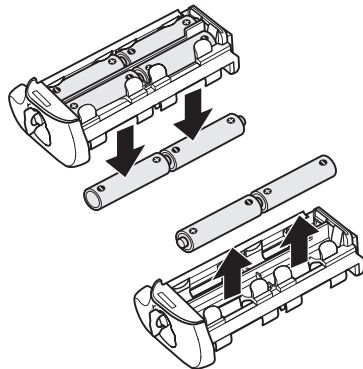
EN-EL18

Deslize o trinco da bateria na direcção indicada pela seta () e retire a tampa do compartimento da bateria.



Baterias AA

Remova as baterias conforme indicado. Tenha o cuidado para não deixar cair as baterias quando as remover do suporte.



Especificações

| | |
|--------------------------------|--|
| Fonte de alimentação | Uma bateria recarregável de íões de lítio EN-EL15 ou EN-EL18, oito pilhas AA LR6 alcalinas, HR6 NiMH ou FR6 de lítio ou um adaptador CA EH-5b/EH-5a/EH-5 (requer um conector de alimentação EP-5B) |
| Temperatura operacional | 0–40 °C |
| Dimensões (L × P × A) | Aproximadamente 151 × 50 × 81 mm |
| Peso | Aprox. 365 g com MS-D12EN e bateria opcional EN-EL15 Aprox. 460 g com MS-D12 e oito pilhas AA (disponíveis em separado de fornecedores terceiros) Aprox. 310 g com MS-D12EN e conector opcional de alimentação EP-5B Aprox. 425 g com BL-5 opcional e bateria EN-EL18 Aprox. 280 g com MS-D12EN Aprox. 270 g com MS-D12 |

As especificações e o desenho estão sujeitos a alterações sem aviso prévio.

Baterias EN-EL15 e EN-EL18

O desempenho das baterias EN-EL15 e EN-EL18 diminui a temperaturas inferiores a cerca de 10 °C. Assegure-se que a bateria está completamente carregada e mantenha à mão uma bateria aquecida pronta a trocar quando necessário. As baterias frias recuperam alguma carga quando aquecidas.

Baterias AA

Devido à sua capacidade limitada, as pilhas alcalinas AA LR6 devem apenas ser utilizadas quando não houver mais nenhuma alternativa.

A capacidade das baterias AA varia com a marca e condições de armazenagem e poderá em alguns casos ser extremamente baixa; em alguns casos, as baterias AA poderão deixar de funcionar antes da sua data de validade. Note que a capacidade das baterias AA poderá ser reduzida a temperaturas inferiores a 20 °C. A utilização não se recomenda para baixas temperaturas.

Taxa de avanço de imagem

As baterias EN-EL18 e as pilhas AA suportam maiores taxas de avanço de imagem que as EN-EL15; note, todavia, que no caso das pilhas AA, a taxa de avanço de imagem irá diminuir a temperaturas baixas ou se as baterias estiverem fracas. Para mais informação sobre a taxa de avanço de imagem consulte o manual da câmara.

Multi-power battery pack MB-D12

Manuale d'uso

Sommario

| | |
|---|---|
| Precauzioni inerenti la sicurezza | 2 |
| Avviso per gli utenti europei | 2 |
| Precauzioni per l'uso | 2 |
| Introduzione | 3 |
| Multi power battery pack MB-D12 e accessori..... | 3 |
| Multi power battery pack MB-D12 e accessori in dotazione | 3 |
| Uso dell'adattatore CA EH-5a/EH-5b e del connettore di alimentazione EP-5B opzionali | 3 |
| Utilizzo del coperchio vano batteria BL-5 opzionale... | 3 |
| Parti del multi power battery pack MB-D12..... | 4 |
| MB-D12 Pulsante di scatto, multiselettore, ghiere di comando e pulsante AF-ON | 4 |
| MB-D12 Blocco dei comandi | 4 |
| Utilizzo del battery pack | 5 |
| Collegamento del battery pack | 5 |
| Rimozione del battery pack..... | 5 |
| Inserimento delle batterie | 6 |
| Rimozione delle batterie..... | 8 |
| Caratteristiche | 9 |

Precauzioni inerenti la sicurezza

Per assicurare un corretto impiego, leggere interamente questo manuale prima di utilizzare il prodotto. Una volta letto, si consiglia di conservare il manuale in un luogo facilmente accessibile da chiunque farà uso del prodotto.

Avviso per gli utenti europei

ATTENZIONE

RISCHIO DI ESPLOSIONE SE LE BATTERIA VIENE SOSTITUITA CON UNA BATTERIA DI TIPO NON CORRETTO. SMALTIMENTO DELLE BATTERIE SECONDO LE ISTRUZIONI.

Questo simbolo indica che il presente prodotto deve essere smaltito negli appositi contenitori di rifiuti.



Le seguenti istruzioni sono rivolte esclusivamente agli utenti di paesi europei:

- Il presente prodotto deve essere smaltito nell'apposito contenitore di rifiuti. Non smaltire insieme ai rifiuti domestici.
- Per ulteriori informazioni, vi preghiamo di contattare le autorità locali responsabili dello smaltimento dei rifiuti.

Precauzioni per l'uso

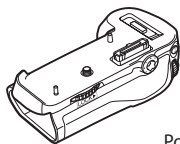
- Utilizzare il multi power battery pack MB-D12 solo con fotocamere compatibili.
- Non utilizzare con batterie e portabatterie non raccomandati in questo manuale.
- Per evitare cortocircuiti causati da oggetti metallici a contatto con i contatti di alimentazione, riposizionare il copricontatto quando il multi power battery pack MB-D12 non è utilizzato.
- Se un portabatterie viene rimosso dal multi power battery pack MB-D12, rimuovere le batterie o sistemare il portabatterie o il coperchio nel proprio contenitore per evitare cortocircuiti causati dal contatto con altri oggetti metallici.
- La luce di accesso alla scheda di memoria può accendersi quando il multi power battery pack MB-D12 viene collegato o rimosso dalla fotocamera. Ciò non indica un funzionamento errato.
- In caso di emissione di fumo, di odore acre o di rumori insoliti dal battery pack, smettere di utilizzare il dispositivo. Dopo aver rimosso le batterie portare il dispositivo al rivenditore oppure a un centro di assistenza Nikon autorizzato per una verifica.
- Il multi power battery pack MB-D12 non è dotato di interruttore di alimentazione. Utilizzare l'interruttore di alimentazione della fotocamera per l'accensione o lo spegnimento.

Grazie per aver acquistato un multi power battery pack MB-D12 da utilizzare con tutte le fotocamere digitali Nikon reflex a obiettivo singolo che lo riportano come accessorio compatibile nel proprio manuale. Il modello MB-D12 richiede una batteria ricaricabile EN-EL15 o EN-EL18 o otto batterie AA (alcaline, Ni-MH o al litio) e include un pulsante di scatto alternativo, il pulsante **AF-ON**, il multi-selettore e le ghiera di comando principale e secondaria per riprendere le immagini con orientamento "verticale". Le opzioni dei menu della fotocamera consentono di scegliere se utilizzare per prima la batteria della fotocamera o le batterie del multi power battery pack MB-D12. Per ulteriori informazioni, vedere il manuale della fotocamera.

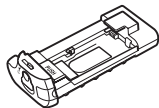
Multi power battery pack MB-D12 e accessori

Multi power battery pack MB-D12 e accessori in dotazione

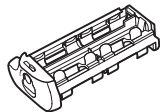
Controllare che gli articoli elencati siano forniti in dotazione con il multi power battery pack MB-D12 (le batterie sono vendute separatamente).



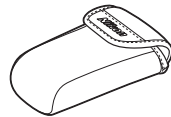
MB-D12



Portabatterie MS-D12EN
per batterie EN-EL15



Portabatterie MS-D12
per batterie AA



Contenitore
portabatterie



Copricontatto

Il portabatterie MS-D12EN è inserito nel multi power battery pack MB-D12 al momento della spedizione. Vedere la sezione relativa all'inserimento delle batterie per informazioni su come rimuoverlo.

- Manuale d'uso (questo manuale)
- Garanzia

Uso dell'adattatore CA EH-5a/EH-5b e del connettore di alimentazione EP-5B opzionali

L'adattatore CA EH-5a/EH-5b e il connettore di alimentazione EP-5B opzionali forniscono una fonte di alimentazione sicura quando la fotocamera viene usata per periodi di tempo prolungati. Per usare l'adattatore CA con il battery pack MB-D12, inserire il connettore EP-5B nel portabatterie MS-D12EN come descritto a pagina 6, quindi collegare l'adattatore EH-5a/EH-5b come descritto nella documentazione fornita con il connettore EP-5B.

Utilizzo del coperchio vano batteria BL-5 opzionale

Un coperchio vano batteria BL-5 (acquistabile separatamente) è necessario quando utilizzate batterie EN-EL18.



Coperchio vano
batteria BL-5

Parti del multi power battery pack MB-D12 (Figura A)

- ① Copricontatto
- ② Alloggiamento per coperchio vano batteria
- ③ Contatti di alimentazione/segnale
- ④ Pulsante **AF-ON**
- ⑤ Ghiera di comando principale
- ⑥ Multiselettore
- ⑦ Ruota di fissaggio
- ⑧ Coperchio di protezione connettori di alimentazione del portabatterie
- ⑨ Coperchio vano batteria
- ⑩ Vano batteria
- ⑪ Blocco vano batteria
- ⑫ Vite di ancoraggio
- ⑬ Pulsante di scatto
- ⑭ Blocco dei comandi
- ⑮ Ghiera di comando secondaria
- ⑯ Attacco cavalletto
- ⑰ Portabatterie MS-D12EN per batterie EN-EL15
- ⑱ Contatti di alimentazione (portabatterie MS-D12EN)
- ⑳ Portabatterie MS-D12 per batterie AA
- ㉑ Contatti di alimentazione (portabatterie MS-D12)
- ㉒ Coperchio vano batteria BL-5 (acquistabile separatamente)

MB-D12 Pulsante di scatto, multiselettore, ghiera di comando e pulsante AF-ON

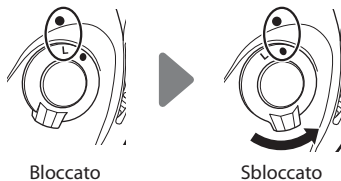
Il multi power battery pack MB-D12 è dotato di un pulsante di scatto (Figura A-⑬), di un multiselettore (Figura A-⑥), di una ghiera di comando principale (Figura A-⑤), di una ghiera di comando secondaria (Figura A-⑮) e di un pulsante **AF-ON** (Figura A-④) da utilizzare quando si scattano foto con orientamento verticale. Questi comandi eseguono le stesse funzioni dei comandi corrispondenti sulla fotocamera. Per ulteriori informazioni, fate riferimento al manuale della fotocamera.

Le modifiche apportate a **Puls. centrale multiselettore, Multi-selettore, Personalizzazione ghiera e Funz. puls. AF-ON MB-D12** nel menu Personalizzazioni della fotocamera (Gruppo f) si applicano anche al multi-selettore, alle ghiera di comando e al pulsante **AF-ON** sull'unità MB-D12.

MB-D12 Blocco dei comandi

Il blocco dei comandi (Figura A-⑭) consente di bloccare i comandi del battery pack MB-D12 per impedirne l'uso accidentale. Prima di utilizzare questi comandi per scattare delle foto con orientamento verticale (ritratto), rilasciare il blocco come mostrato a destra.

Il blocco dei comandi non è un interruttore di alimentazione. Per accendere e spegnere la fotocamera, utilizzare l'interruttore di alimentazione.



Utilizzo del battery pack

Collegamento del battery pack

Prima di collegare il battery pack, accertarsi che la fotocamera sia spenta e che il blocco dei comandi MB-D12 (Figura A-14) sia nella posizione **L** (le illustrazioni mostrano il modello D800).

- 1 Rimuovere il copricontatto (Figura A-1) dal battery pack.
- 2 I contatti per il multi power battery pack MB-D12 si trovano sulla base della fotocamera, dove sono protetti da un copricontatto. Rimuovere quest'ultimo come mostrato in Figura B-1 e inserirlo nell'apposito alloggiamento sul multi power battery pack MB-D12 (Figura B-2).
- 3 Posizionare il battery pack MB-D12, tenendo la vite di ancoraggio del battery pack MB-D12 (Figura C-2) in linea con l'attacco cavalletto della fotocamera (Figura C-1), quindi serrare la rotella di fissaggio ruotandola nella direzione indicata dalla freccia **LOCK** (BLOCCO) (Figura D). Non è necessario rimuovere la batteria dalla fotocamera prima di collegare il multi power battery pack MB-D12. Per impostazione predefinita, la batteria inserita nella fotocamera verrà utilizzata solo dopo che la batteria nel multi power battery pack MB-D12 si è esaurita. L'opzione **Ordine batterie** nel menu delle impostazioni personalizzate della fotocamera (Gruppo d) può essere utilizzata per cambiare l'ordine di utilizzo delle batterie.

Accertarsi di posizionare il coperchio di protezione dei contatti della fotocamera nell'apposito supporto del copricontatti e di conservare il tappo dei contatti del battery pack MB-D12 in un posto sicuro per evitare di perderlo.

Sono necessari gli anelli di estensione PB-6D e PK-13 quando utilizzate il soffietto di estensione PB-6 con l'unità MB-D12.

Rimozione del battery pack

Per rimuovere il multi power battery pack MB-D12, spegnere la fotocamera e posizionare il blocco dei comandi su di esso su **L**, quindi allentare la ruota di fissaggio e rimuovere il battery pack MB-D12. Accertarsi di riposizionare il coperchio dei contatti sulla fotocamera e il copricontatto sul multi power battery pack MB-D12 quando quest'ultimo non viene utilizzato.

Inserimento delle batterie

L'unità MB-D12 può essere utilizzata con una batteria Li-ion ricaricabile EN-EL15 o EN-EL18 o con otto batterie AA. Un coperchio vano batteria BL-5 (acquistabile separatamente) è necessario quando utilizzate una batteria EN-EL18.

Prima di inserire le batterie, accertarsi che la fotocamera sia spenta e che il blocco dei comandi del multi power battery pack MB-D12 si trovi sulla posizione **L**.

1 Ruotare il blocco del vano batteria del multi power battery pack MB-D12 su  e rimuovere il portabatterie (Figura E).

2 Preparare le batterie come descritto in basso.

EN-EL15: inserire la batteria in modo che corrisponda alla scanalatura sul portabatterie MS-D12EN, inserire la batteria con la freccia (▲) rivolta verso i contatti di alimentazione del portabatterie (Figura F-**1**). Premere la batteria delicatamente verso il basso e farla scivolare nella direzione della freccia fino a quando i contatti di alimentazione non risultano inseriti correttamente (Figura F-**2**).

EN-EL18: se il fermo della batteria sul coperchio vano batteria BL-5 opzionale è posizionato in modo che la freccia sia visibile, fate scorrere il fermo per coprire la freccia (Figura G-**1**). Inserite le due sporgenze sulla batteria negli alloggiamenti corrispondenti di BL-5 (Figura G-**2**) e verificate che il fermo della batteria sia scorso lateralmente in modo da mostrare la freccia.

Batterie AA: inserite le otto batterie AA nel vano batterie MS-D12 come mostrato nella Figura H, assicurandovi che l'orientamento delle batterie sia corretto.

3 Inserire il portabatterie nel battery pack MB-D12 e bloccare il coperchio del vano batteria (Figura I). Assicurarsi che il portabatterie sia completamente inserito prima di ruotare il blocco.

4 Accendere la fotocamera e controllare il livello della batteria sul pannello di controllo o nel mirino. Se la fotocamera non si accende, verificare che la batteria sia inserita correttamente.

Connettore di alimentazione EP-5B

Quando si usa il connettore di alimentazione EP-5B, inserirlo nel portabatterie MS-D12EN tenendo la freccia (▲) sul connettore in direzione dei terminali della batteria. Premere delicatamente il connettore verso il basso e farlo scorrere nella direzione della freccia fino ad avvertire lo scatto dei terminali di alimentazione (Figura J-**1**). Aprire il coperchio del connettore di alimentazione del portabatterie e passare il cavo di alimentazione del connettore EP-5B attraverso l'apertura (Figura J-**2**).

Livello della batteria

La fotocamera consente di visualizzare il livello della batteria nel modo indicato di seguito:

Batteria EN-EL15/EN-EL18

| Pannello di controllo | Mirino | Descrizione |
|-----------------------|--------|---|
| | — | Batteria carica. |
| | — | Batteria parzialmente scarica. |
| | | Livello batteria basso. Preparare una batteria di ricambio completamente carica o ricaricare la batteria. |
| | | Batteria esaurita. Carica (lampeggia) o sostituire la batteria. |

Batterie AA

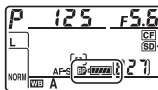
| Pannello di controllo | Mirino | Descrizione |
|-----------------------|--------|---|
| | — | Carica residua. |
| | | Livello batterie basso. Preparate la batteria di riserva. |
| | | Batterie esaurite. Scatto (lampeggia) disattivato. |

Un'opzione del gruppo d nel menu delle impostazioni personalizzate può essere utilizzata per cambiare l'ordine di utilizzo delle batterie. Se la fotocamera è alimentata dal multi power battery pack MB-D12, l'icona **BP** viene visualizzata sul pannello di controllo. Se l'icona **BP** lampeggia, il coperchio del vano batteria non è bloccato. Chiudere e bloccare il coperchio del vano batteria.

Per garantire che la fotocamera mostri il livello corretto della batteria quando si utilizzano batterie AA, scegliere l'opzione adatta per **Batterie nell'MB-D12** nel menu delle impostazioni personalizzate (Gruppo d). Se non viene selezionata l'opzione corretta, la fotocamera può non funzionare come previsto.

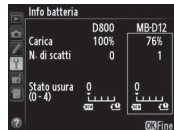
| Opzione | Tipo di batteria |
|--------------------------|-------------------|
| LR6 (Alcaline AA) | AA alcalina (LR6) |
| HR6 (Ni-MH AA) | AA NiMH (HR6) |
| FR6 (Litio AA) | AA Li-ion (FR6) |

Rimuovere le batterie quando il multi power battery pack MB-D12 non è utilizzato.



Info batteria


Le informazioni sulla batteria (compresi i dati di taratura per le batterie EN-EL18) possono essere visualizzate dal menu impostazioni della fotocamera (la batteria della fotocamera è indicata a sinistra, l'MB-D12 a destra). Quando sono usate batterie AA, viene visualizzata solo l'icona del livello della batteria. Per ulteriori informazioni, vedere il manuale della fotocamera.



Nota: Le illustrazioni in questa pagina sono state realizzate con il modello D800.

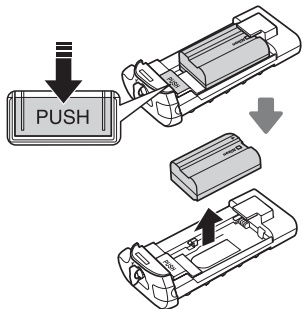
Rimozione delle batterie

Fare attenzione a non far cadere le batterie o il portabatterie.

- 1 Ruotare il blocco del vano batteria del multi power battery pack MB-D12 su  e rimuovere il portabatterie (Figura E).
- 2 Rimuovere la batteria o le batterie dal portabatterie.


EN-EL15

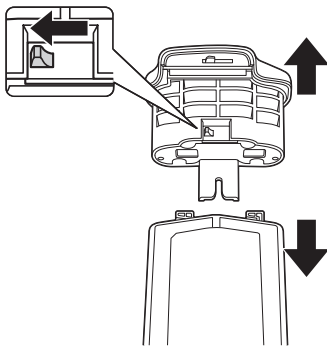
Tenendo premuto il pulsante **PUSH** (SPINGI) del portabatterie, far scivolare la batteria verso il pulsante. Rimuovere la batteria come mostrato.



La procedura per la rimozione del connettore di alimentazione EP-5B è la stessa di quella per la batteria EN-EL15.

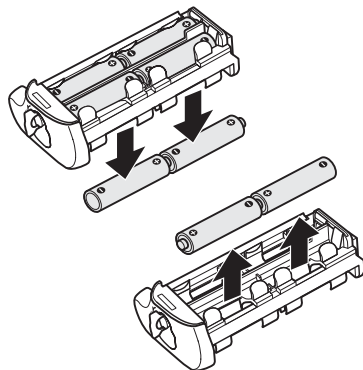
EN-EL18

Fate scorrere il fermo della batteria nella direzione indicata dalla freccia () e rimuovete il coperchio vano batteria.



Batterie AA

Rimuovere le batterie come mostrato. Fare attenzione a non lasciar cadere le batterie quando le si rimuove dal portabatterie.



Caratteristiche

| | |
|--------------------------------|---|
| Fonte di alimentazione | Una batteria Li-ion ricaricabile EN-EL15 o EN-EL18, otto batterie AA alcaline LR6, Ni-MH HR6 o al litio FR6 o un adattatore CA EH-5b/EH-5a/EH-5 (è necessario il connettore di alimentazione EP-5B) |
| Temperatura di utilizzo | 0°C – 40°C |
| Dimensioni (L x A x P) | Circa 151 x 50 x 81 mm |
| Peso | Circa 365 g con MS-D12EN e batteria EN-EL15 opzionale Circa 460 g con MS-D12 e otto batterie AA (acquistabili separatamente da fornitori terzi) Circa 310 g con MS-D12EN e connettore di alimentazione EP-5B opzionale Circa 425 g con BL-5 e batteria EN-EL18 opzionale Circa 280 g con MS-D12EN Circa 270 g con MS-D12 |

Le caratteristiche e il design sono soggetti a modifiche senza preavviso.

Batterie EN-EL15 e EN-EL18

Le prestazioni delle batterie EN-EL15 e EN-EL18 si riducono a temperature inferiori a circa 10 °C. Accertarsi che la batteria sia completamente carica e tenere pronta una batteria di riserva calda per sostituirla, se necessario. Le batterie fredde recuperano parte della carica quando vengono riscaldate.

Batterie AA

Data la loro limitata capacità, le batterie AA LR6 alcaline devono essere utilizzate solo se non vi sono alternative.

La capacità delle batterie AA varia in base al produttore e alle condizioni di conservazione e, in alcuni casi, può essere estremamente bassa; in altri, le batterie AA possono smettere di funzionare prima della data di scadenza. Tenere presente che la capacità delle batterie AA può ridursi a temperature inferiori a 20 °C. L'uso alle basse temperature non è consigliato.

Velocità di avanzamento fotogrammi

Le batterie EN-EL18 e AA supportano velocità di avanzamento fotogrammi maggiori rispetto alla batteria EN-EL15. Tenete inoltre presente che se si utilizzano batterie AA, la velocità di avanzamento fotogrammi si riduce a basse temperature o se le batterie sono quasi esaurite. Per ulteriori informazioni sulla velocità di avanzamento fotogrammi, fate riferimento al manuale della fotocamera.

Πολλαπλό τροφοδοτικό μπαταρίας MB-D12

Εγχειρίδιο οδηγιών χρήσης

Πίνακας περιχομένων

| | |
|---|---|
| Προφυλάξεις Ασφαλείας..... | 2 |
| Σημειώσεις για τους Πελάτες στην Ευρώπη..... | 2 |
| Προφυλάξεις ως προς τη Χρήση..... | 2 |
| Εισαγωγή..... | 3 |
| Το MB-D12 και Εξαρτήματα..... | 3 |
| Το MB-D12 και Παρεχόμενα Εξαρτήματα..... | 3 |
| Χρήση του Προαιρετικού Μετασχηματιστή Εναλλασσόμενου Ρεύματος EH-5a/EH-5b AC και του Ακροδέκτη Τροφοδοσίας EP-5B..... | 3 |
| Χρήση του προαιρετικού καλύμματος διαμερίσματος μπαταρίας BL-5..... | 3 |
| Μέρη του MB-D12..... | 4 |
| Το Κουμπί Λήψης MB-D12, ο Πολυ-επιλογέας, ο Επιλογέας Εντολών και το Κουμπί AF-ON..... | 4 |
| Το Κλείδωμα Χειριστηρίου του MB-D12..... | 4 |
| Χρήση του Τροφοδοτικού Μπαταρίας..... | 5 |
| Σύνδεση του Τροφοδοτικού Μπαταρίας..... | 5 |
| Αφαίρεση του Τροφοδοτικού Μπαταρίας..... | 5 |
| Εισαγωγή Μπαταριών..... | 6 |
| Αφαίρεση των Μπαταριών..... | 8 |
| Τεχνικά χαρακτηριστικά..... | 9 |

Προφυλάξεις Ασφαλείας

Για να εξασφαλίσετε την εύρυθμη λειτουργία, διαβάστε διεξοδικά το παρόν εγχειρίδιο πριν τη χρήση του προϊόντος. Μετά την ανάγνωση, βεβαιωθείτε ότι το φυλάσσετε σε μέρος προσβάσιμο σε όλους τους χρησιμοποιούν το προϊόν.

Σημειώσεις για τους Πελάτες στην Ευρώπη

ΠΡΟΣΟΧΗ

ΚΙΝΔΥΝΟΣ ΕΚΡΗΞΗΣ ΑΝ Η ΜΠΑΤΑΡΙΑ ΑΝΤΙΚΑΤΑΣΤΑΘΕΙ ΜΕ ΜΠΑΤΑΡΙΑ ΛΑΘΟΣ ΤΥΠΟΥ. ΑΠΟΡΡΙΨΤΕ ΤΙΣ ΧΡΗΣΙΜΟΠΟΙΗΜΕΝΕΣ ΜΠΑΤΑΡΙΕΣ ΣΥΜΦΩΝΑ ΜΕ ΤΙΣ ΟΔΗΓΙΕΣ.

Αυτό το σύμβολο υποδεικνύει ότι το προϊόν αυτό πρέπει να συλλέγεται ξεχωριστά.

Τα παρακάτω ισχύουν μόνο για τους χρήστες στις χώρες της Ευρώπης:

- Αυτό το προϊόν προορίζεται για ξεχωριστή συλλογή από κατάλληλο σημείο. Μην το απορρίπτετε μαζί με τα οικιακά απορρίμματα.
- Για περισσότερες πληροφορίες, επικοινωνήστε με το κατάστημα λιανικής ή τις τοπικές αρχές που είναι υπεύθυνες για τη διαχείριση των αποβλήτων.



Προφυλάξεις ως προς τη Χρήση

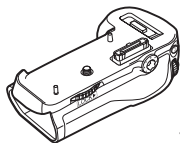
- Το MB-D12 ενδείκνυται για χρήση μόνο με συμβατές φωτογραφικές μηχανές.
- Μην το χρησιμοποιείτε με μπαταρίες και συσκευές συγκράτησης μπαταριών που δεν συνίστανται στο παρόν εγχειρίδιο.
- Για να αποφύγετε βραχυκυκλώματα λόγω επαφής των τερματικών τροφοδοσίας με μεταλλικά αντικείμενα, επανατοποθετήστε το κάλυμμα επαφής όταν το MB-D12 δεν χρησιμοποιείται.
- Όταν αφαιρείται μία συσκευή συγκράτησης μπαταριών από το MB-D12, αφαιρέστε τις μπαταρίες ή τοποθετήστε τη συσκευή συγκράτησης ή το κάλυμμα στη θήκη συγκράτησης για να αποφύγετε βραχυκυκλώματα λόγω επαφής των τερματικών τροφοδοσίας με άλλα μεταλλικά αντικείμενα.
- Η λυχνία πρόσβασης κάρτας μνήμης ενδέχεται να ανάψει όταν το MB-D12 συνδέεται ή αφαιρείται από τη μηχανή, αλλά αυτό δεν αποτελεί δυσλειτουργία.
- Εάν παρατηρήσετε καπνό ή ασυνήθιστη μυρωδιά ή θόρυβο προερχόμενα από το τροφοδοτικό μπαταρίας, σταματήστε τη χρήση αμέσως. Μετά την αφαίρεση των μπαταριών, πηγαίστε τη συσκευή στον έμπορο λιανικής ή σε εξουσιοδοτημένο αντιπρόσωπο της Nikon για έλεγχο.
- Το MB-D12 δεν διαθέτει διακόπτη τροφοδοσίας. Χρησιμοποιήστε τον διακόπτη τροφοδοσίας της φωτογραφικής μηχανής για να την ενεργοποιήσετε ή να την απενεργοποιήσετε.

Ευχαριστούμε για την αγορά ενός πολλαπλού τροφοδοτικού μπαταρίας MB-D12 για χρήση με όλες τις ψηφιακές φωτογραφικές μηχανές Nikon μονοοπτικής reflex (SLR) που συμπεριλαμβάνουν το MB-D12 ως συμβατό εξάρτημα στο εγχειρίδιο της φωτογραφικής μηχανής. Με το τροφοδοτικό μπαταρίας MB-D12 μπορεί να χρησιμοποιηθεί μία επαναφορτιζόμενη μπαταρία EN-EL15 ή EN-EL18 ή οκτώ μπαταρίες AA (αλκαλικές, Ni-MH ή λιθίου). Το τροφοδοτικό μπαταρίας περιέχει ένα εναλλακτικό κουμπί λήψης, κουμπί **AF-ON**, πολυ-επιλογή, κύριο επιλογή και υπο-επιλογή εντολών για τη λήψη εικόνων σε κατακόρυφο προσανατολισμό (πορτραίτο). Οι επιλογές μενού της φωτογραφικής μηχανής επιτρέπουν στον χρήστη να επιλέξει αν θα χρησιμοποιηθεί αρχικά η μπαταρία της μηχανής ή οι μπαταρίες στο MB-D12. Για λεπτομέρειες ανατρέξτε στο εγχειρίδιο της φωτογραφικής μηχανής.

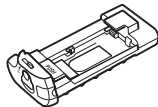
Το MB-D12 και Εξαρτήματα

Το MB-D12 και Παρεχόμενα Εξαρτήματα

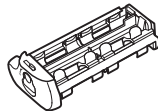
Επιβεβαιώστε ότι τα ακόλουθα αντικείμενα παρέχονται μαζί με το MB-D12 (οι μπαταρίες πωλούνται ξεχωριστά).



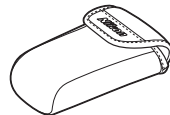
MB-D12



Συσκευή συγκράτησης MS-D12EN για μπαταρίες EN-EL15



Συσκευή συγκράτησης MS-D12 για μπαταρίες AA



Θήκη συσκευής συγκράτησης



Κάλυμμα επαφής

Το MS-D12EN εισάγεται στο MB-D12 κατά την αποστολή. Ανατρέξτε στο «Εισαγωγή Μπαταριών» για πληροφορίες ως προς την αφαίρεση της συσκευής συγκράτησης μπαταρίας.

- Εγχειρίδιο οδηγιών χρήστη (το παρόν εγχειρίδιο)
- Εγγύηση

Χρήση του Προαιρετικού Μετασχηματιστή Εναλλασσόμενου Ρεύματος EH-5a/EH-5b AC και του Ακροδέκτη Τροφοδοσίας EP-5B

Ο προαιρετικός μετασχηματιστής εναλλασσόμενου ρεύματος EH-5a/EH-5b AC και ο ακροδέκτης τροφοδοσίας EP-5B εξασφαλίζουν αξιόπιστη πηγή τροφοδοσίας όταν η μηχανή χρησιμοποιείται για μεγάλες χρονικές περιόδους. Για να χρησιμοποιήσετε έναν μετασχηματιστή ρεύματος μαζί με το MB-D12, εισάγετε το EP-5B μέσα στη συσκευή συγκράτησης μπαταρίας MS-D12EN όπως περιγράφεται στη σελίδα 6 και συνδέστε το EH-5a/EH-5b όπως περιγράφεται στην έγγραφη τεκμηρίωση που παρέχεται μαζί με το EP-5B.

Χρήση του προαιρετικού καλύμματος διαμερίσματος μπαταρίας BL-5

Κατά τη χρήση των μπαταριών EN-EL18 απαιτείται κάλυμμα διαμερίσματος μπαταρίας BL-5 (διατίθεται ξεχωριστά).



Κάλυμμα διαμερίσματος BL-5

- ① Κάλυμμα επαφής
- ② Εξάρτημα συγκράτησης για κάλυμμα επαφής μηχανής
- ③ Επαφές τροφοδοσίας
- ④ Κουμπί **AF-ON**
- ⑤ Βασικός επιλογέας εντολών
- ⑥ Πολύ-επιλογέας
- ⑦ Τροχός προσαρτήματος
- ⑧ Συσκευή συγκράτησης καλύμματος ακροδεκτών τροφοδοσίας
- ⑨ Κάλυμμα διαμερίσματος μπαταρίας
- ⑩ Διαμέρισμα μπαταρίας
- ⑪ Ασφάλεια διαμερίσματος μπαταρίας
- ⑫ Βίδα μοντούρας
- ⑬ Κουμπί λήψης
- ⑭ Κλείδωμα χειριστηρίου
- ⑮ Υπό-επιλογέας εντολών
- ⑯ Υποδοχή τριπόδου
- ⑰ Συσκευή συγκράτησης MS-D12EN για μπαταρίες EN-EL15
- ⑱ Τερματικά τροφοδοσίας
- ⑲ Τερματικά τροφοδοσίας (συσκευή συγκράτησης μπαταρίας MS-D12EN)
- ⑳ Συσκευή συγκράτησης MS-D12 για μπαταρίες AA
- ㉑ Τερματικά τροφοδοσίας (συσκευή συγκράτησης μπαταρίας MS-D12)
- ㉒ Κάλυμμα διαμερίσματος μπαταρίας BL-5 (διατίθεται ξεχωριστά)

Το Κουμπί Λήψης MB-D12, ο Πολυ-επιλογέας, ο Επιλογέας Εντολών και το Κουμπί AF-ON

Το MB-D12 είναι εφοδιασμένο με κουμπί λήψης (Εικόνα Α-13), πολυ-επιλογέα (Εικόνα Α-6), βασικό επιλογέα εντολών (Εικόνα Α-5), υπο-επιλογέα εντολών (Εικόνα Α-15) και κουμπί **AF-ON** (Εικόνα Α-4) για χρήση κατά τη λήψη φωτογραφιών με κατακόρυφο προσανατολισμό (ή πορτραίτο). Αυτά τα στοιχεία ελέγχου εκτελούν τις ίδιες λειτουργίες με τα αντίστοιχα στοιχεία ελέγχου της φωτογραφικής μηχανής. Ανατρέξτε στο εγχειρίδιο της φωτογραφικής μηχανής για περισσότερες πληροφορίες.

Οι αλλαγές στο **Multi selector center button (Κεντρικό κουμπί του πολυ-επιλογέα)**, **Multi selector (Πολυ-επιλογέας)**, **Customize command dials (Προσαρμογή επιλογέων εντολών)** και **Assign MB-D12 AF-ON (Λειτουργία AF-ON MB-D12)** στο μενού Προσαρμοσμένες ρυθμίσεις της φωτογραφικής μηχανής (Ομάδα f) ισχύουν και για τον πολυ-επιλογέα, τους επιλογείς εντολών και το κουμπί **AF-ON** στο MB-D12.

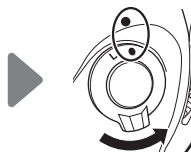
Το Κλείδωμα Χειριστηρίου του MB-D12

Το κλείδωμα χειριστηρίου (Εικόνα Α-14) κλειδώνει τα χειριστήρια στο MB-D12 για να αποτρέψει ακούσια χρήση. Πριν τη χρήση αυτών των χειριστηρίων για τη λήψη φωτογραφιών με κατακόρυφο (πορτραίτο) προσανατολισμό, απελευθερώστε το κλείδωμα όπως φαίνεται στα δεξιά.

Το κλείδωμα χειριστηρίου δεν είναι διακόπτης τροφοδοσίας. Χρησιμοποιήστε τον διακόπτη τροφοδοσίας για να ενεργοποιήσετε και να απενεργοποιήσετε τη μηχανή.



Κλειδωμένο



Μη κλειδωμένο

Χρήση του Τροφοδοτικού Μπαταρίας

Σύνδεση του Τροφοδοτικού Μπαταρίας

Πριν τη σύνδεση του τροφοδοτικού μπαταρίας, βεβαιωθείτε ότι η μηχανή είναι απενεργοποιημένη και ότι το κλείδωμα χειριστηρίου του MB-D12 (Εικόνα A-14) είναι στη θέση **L** (οι εικόνες δείχνουν το D800).

- 1 Αφαιρέστε το κάλυμμα επαφής (Εικόνα A-1) από το τροφοδοτικό μπαταρίας.
- 2 Οι επαφές για το MB-D12 βρίσκονται στη βάση της μηχανής, όπου προστατεύονται από κάλυμμα επαφής. Αφαιρέστε το κάλυμμα επαφής όπως φαίνεται στην Εικόνα B-1 και τοποθετήστε το στη συσκευή συγκράτησης καλύμματος επαφής πάνω στο MB-D12 (Εικόνα B-2).
- 3 Τοποθετήστε το MB-D12, κρατώντας τη βίδα μοντούρας του MB-D12 (Εικόνα C-2) ευθυγραμμισμένη με την υποδοχή τριπόδου της μηχανής (Εικόνα C-1) και σφίξτε τον τροχό προσαρτήματος περιστρέφοντάς τον με την κατεύθυνση που δείχνει το βέλος **LOCK** (ΚΛΕΙΔΩΜΑ) (Εικόνα D). Δεν χρειάζεται να αφαιρέσετε τη μπαταρία από τη μηχανή πριν τη σύνδεση με το MB-D12. Στις προεπιλεγμένες ρυθμίσεις, η μπαταρία που έχει εισαχθεί στη μηχανή θα χρησιμοποιηθεί μόνο όταν εξαντληθεί η μπαταρία στο MB-D12. Η επιλογή **Battery order (Διάταξη μπαταρίας)** στο μενού Προσαρμοσμένων Ρυθμίσεων της μηχανής (Ομάδα d) μπορεί να χρησιμοποιηθεί για να αλλάξει η διάταξη με την οποία χρησιμοποιούνται οι μπαταρίες.

Βεβαιωθείτε ότι τοποθετείτε το κάλυμμα επαφής της μηχανής στη συσκευή συγκράτησης επαφής και ότι διατηρείτε το κάλυμμα επαφής MB-D12 σε ασφαλές μέρος για να αποφύγετε τυχόν απώλεια.

Απαιτούνται ένα PB-6D και ένας δακτύλιος αυτόματης επέκτασης PK-13 όταν χρησιμοποιείται το πτυσσόμενο πρόσθετο εστίασης PB-6 με το MB-D12.


Αφαίρεση του Τροφοδοτικού Μπαταρίας

Για να αφαιρέσετε το MB-D12, απενεργοποιήστε τη μηχανή και ρυθμίστε το κλείδωμα χειριστηρίου στο MB-D12 στο **L**, έπειτα χαλαρώστε τον τροχό προσαρτήματος και αφαιρέστε το MB-D12. Φροντίστε να επανατοποθετήσετε το κάλυμμα επαφής στη μηχανή και το κάλυμμα επαφής στο MB-D12 όταν δεν χρησιμοποιείται το τροφοδοτικό μπαταρίας.

Εισαγωγή Μπαταριών

Το MB-D12 μπορεί να χρησιμοποιηθεί με μία επαναφορτιζόμενη μπαταρία ιόντων λιθίου EN-EL15 ή EN-EL18 ή με οκτώ μπαταρίες AA. Κατά τη χρήση μπαταρίας EN-EL18 απαιτείται κάλυμμα διαμερίσματος μπαταρίας BL-5 (διατίθεται ξεχωριστά).

Πριν την εισαγωγή μπαταριών, βεβαιωθείτε ότι η μηχανή είναι απενεργοποιημένη και ότι το κλειδωμα χειριστηρίου του MB-D12 είναι στη θέση **L**.

- 1 Στρέψτε την ασφάλεια διαμερίσματος μπαταρίας του MB-D12 στο  και αφαιρέστε τη συσκευή συγκράτησης μπαταρίας (Εικόνα E).
- 2 Ετοιμάστε τις μπαταρίες όπως περιγράφεται παρακάτω.

EN-EL15: Ταριάζοντας τα κοιλώματα της μπαταρίας στις προεξοχές της συσκευής συγκράτησης MS-D12EN, εισάγετε τη μπαταρία με το βέλος (▲) πάνω στη μπαταρία προς τα τερματικά τροφοδοσίας της συσκευής συγκράτησης μπαταρίας (Εικόνα F-①). Πιέστε ελαφρώς την μπαταρία προς τα κάτω και σύρετέ την προς την κατεύθυνση του βέλους μέχρι τα τερματικά τροφοδοσίας να εφαρμόσουν στη θέση (Εικόνα F-②).

EN-EL18: Εάν η ασφάλεια απελευθέρωσης μπαταρίας στο προαιρετικό κάλυμμα διαμερίσματος μπαταρίας BL-5 είναι τοποθετημένη με τέτοιο τρόπο ώστε το βέλος <1 να είναι ορατό, κυλήστε την ασφάλεια απελευθέρωσης μπαταρίας για να καλύψετε το βέλος (Εικόνα G-①). Εισαγάγετε τις δύο προεξοχές της μπαταρίας στις κατάλληλες υποδοχές στο BL-5 (Εικόνα G-②) και βεβαιωθείτε ότι η ασφάλεια απελευθέρωσης μπαταρίας έχει μετακινηθεί ώστε να εμφανίζεται το βέλος.

Μπαταρίες AA: Τοποθετήστε οκτώ μπαταρίες AA στη βάση μπαταριών MS-D12 όπως υποδεικνύεται στην Εικόνα H και βεβαιωθείτε ότι οι μπαταρίες είναι τοποθετημένες με το σωστό προσανατολισμό.

- 3 Εισάγετε τη συσκευή συγκράτησης μπαταρίας στο MB-D12 και ασφαλίστε το κάλυμμα διαμερίσματος μπαταρίας (Εικόνα I). Βεβαιωθείτε ότι η συσκευή συγκράτησης έχει πλήρως εισαχθεί πριν την ασφάλιση.
- 4 Ενεργοποιήστε τη μηχανή και ελέγξτε το επίπεδο φόρτισης της μπαταρίας στον πίνακα ελέγχου ή στο σκόπευτρο. Αν η μηχανή δεν λειτουργήσει, ελέγξτε αν η μπαταρία έχει εισαχθεί σωστά.

Ο Ακροδέκτης Τροφοδοσίας EP-5B

Κατά τη χρήση του ακροδέκτη τροφοδοσίας EP-5B, εισάγετέ τον στη συσκευή συγκράτησης MS-D12EN με το βέλος (▲) στον ακροδέκτη προς τα τερματικά τροφοδοσίας της μπαταρίας. Πιέστε ελαφρώς τη μπαταρία προς τα κάτω και σύρετέ την προς την κατεύθυνση του βέλους μέχρι τα τερματικά τροφοδοσίας να εφαρμόσουν στη θέση (Εικόνα J-①). Ανοίξτε το κάλυμμα ακροδέκτη συσκευής συγκράτησης και περάστε το καλώδιο τροφοδοσίας EP-5B μέσα από το άνοιγμα (Εικόνα J-②).

Επίπεδο Φορτίου Μπαταρίας.

Η μηχανή εμφανίζει το επίπεδο φορτίου της μπαταρίας ακολούθως:

Μπαταρία EN-EL15/EN-EL18

| Πίνακας ελέγχου | Σκόπευτρο | Περιγραφή |
|-------------------|-------------------|--|
| | — | Η μπαταρία είναι πλήρως φορτισμένη. |
| | — | Η μπαταρία είναι μερικώς αποφορτισμένη. |
| | — | |
| | — | |
| | | Χαμηλό φορτίο μπαταρίας. Ετοιμάστε μια πλήρως φορτισμένη εφεδρική μπαταρία ή φορτίστε τη μπαταρία. |
| (αναβοσβήνει) | (αναβοσβήνει) | Η μπαταρία έχει εξαντληθεί. Φορτίστε ή αντικαταστήστε τη μπαταρία. |

Μπαταρίες AA

| Πίνακας ελέγχου | Σκόπευτρο | Περιγραφή |
|-------------------|-------------------|--|
| | — | Εναπομένουσα φόρτιση. |
| | | Χαμηλό φορτίο μπαταριών. Ετοιμάστε εφεδρικές μπαταρίες. |
| (αναβοσβήνει) | (αναβοσβήνει) | Οι μπαταρίες έχουν εξαντληθεί. Το κουμπί λήψης έχει απενεργοποιηθεί. |

Μία επιλογή στην Ομάδα d του μενού Προσαρμοσμένων Ρυθμίσεων της μηχανής μπορεί να χρησιμοποιηθεί για να αλλάξετε τη διάταξη

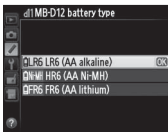
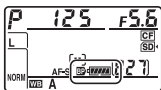
με την οποία χρησιμοποιούνται οι μπαταρίες. Όταν η μηχανή καταναλώνει ενέργεια από το MB-D12, εμφανίζεται ένα εικονίδιο **BP** στον πίνακα ελέγχου. Αν αναβοσβήνει το εικονίδιο **BP**, το κάλυμμα διαμερίσματος μπαταρίας δεν έχει κλειδωθεί. Κλείστε και ασφαλίστε το κάλυμμα του διαμερίσματος της μπαταρίας.

Για να εξασφαλίσετε ότι η μηχανή δείχνει το σωστό επίπεδο φορτίου όταν χρησιμοποιούνται μπαταρίες AA, επιλέξτε την κατάλληλη επιλογή για **MB-D12 bat-**

tery type (τύπος μπαταρίας MB-D12) στο μενού Προσαρμοσμένων Ρυθμίσεων (Ομάδα d) της φωτογραφικής μηχανής. Αν δεν έχει γίνει η σωστή επιλογή, η μηχανή μπορεί να μην λειτουργεί όπως αναμένεται.

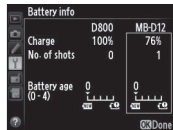
| Επιλογή | Τύπος μπαταρίας |
|--------------------------|--------------------|
| LR6 (AA alkaline) | Αλκαλικές AA (LR6) |
| HR6 (AA Ni-MH) | AA Ni-MH (HR6) |
| FR6 (AA lithium) | AA λιθίου (FR6) |

Αφαιρείτε τις μπαταρίες όταν το MB-D12 δεν χρησιμοποιείται.



Πληροφορίες Μπαταρίας

Οι πληροφορίες μπαταρίας (συμπεριλαμβανομένων των πληροφοριών ρύθμισης για τις μπαταρίες EN-EL18) μπορούν να προβληθούν από το μενού ρύθμισης της φωτογραφικής μηχανής (η μπαταρία της φωτογραφικής μηχανής εμφανίζεται στα αριστερά, το MB-D12 στα δεξιά). Εμφανίζεται μόνο το εικονίδιο επιπέδου φορτίου μπαταρίας όταν χρησιμοποιούνται μπαταρίες AA. Ανατρέξτε στο εγχειρίδιο της φωτογραφικής μηχανής για λεπτομέρειες.



Σημείωση: Οι εικόνες αυτής της σελίδας είναι από το D800.

Αφαίρεση των Μπαταριών

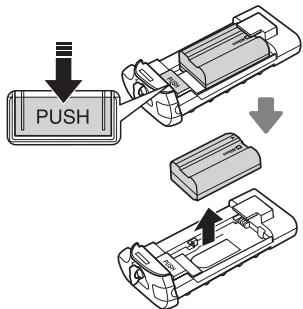
Gr

Προσέξτε να μην πέσουν κάτω οι μπαταρίες ή η συσκευή συγκράτησης.

- 1 Στρέψτε την ασφάλεια διαμερίσματος μπαταρίας MB-D12 στο  και αφαιρέστε τη συσκευή συγκράτησης μπαταρίας (Εικόνα Ε).
- 2 Αφαιρέστε τη μπαταρία ή τις μπαταρίες από τη συσκευή συγκράτησης.

EN-EL15

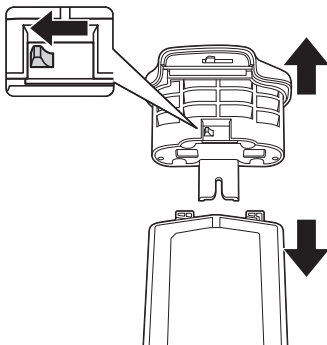
Κατά το πάτημα του κουμπιού **PUSH** (ΠΑΤΗΣΤΕ) της συσκευής συγκράτησης, σύρετε τη μπαταρία προς το κουμπί. Τότε η μπαταρία θα μπορεί να αφαιρεθεί όπως δείχνεται.



Η διαδικασία για αφαίρεση του ακροδέκτη τροφοδοσίας EP-5B είναι η ίδια με αυτή για το EN-EL15.

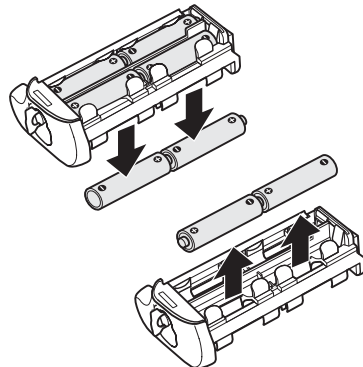
EN-EL18

Κυλήστε την ασφάλεια απελευθέρωσης προς την κατεύθυνση που υποδεικνύει το βέλος (<) και αφαιρέστε το κάλυμμα διαμερίσματος μπαταρίας.



Μπαταρίες AA

Αφαιρέστε τις μπαταρίες όπως απεικονίζεται. Προσέξτε ώστε να μην ρίξετε τις μπαταρίες κατά την αφαίρεσή τους από τη συσκευή συγκράτησης.



Τεχνικά χαρακτηριστικά

| | |
|--------------------------------|---|
| Πηγή τροφοδοσίας | Μία επαναφορτιζόμενη μπαταρία ιόντων λιθίου EN-EL15 ή EN-EL18, οκτώ αλκαλικές μπαταρίες LR6, μπαταρίες HR6 Ni-MH ή μπαταρίες λιθίου FR6 AA, ή μετασχηματιστής ρεύματος EH-5b/EH-5a/EH-5 AC (απαιτείται ακροδέκτης τροφοδοσίας EP-5B) |
| Θερμοκρασία λειτουργίας | 0–40 °C |
| Διαστάσεις (Μ × Υ × Β) | Περίπου 151 × 50 × 81 mm |
| Βάρος | Περίπου 365 g με το MS-D12EN και την προαιρετική μπαταρία EN-EL15 Περίπου 460 g με το MS-D12 και οκτώ μπαταρίες AA (διατίθενται ξεχωριστά από τρίτους προμηθευτές) Περίπου 310 g με το MS-D12EN και τον προαιρετικό ακροδέκτη τροφοδοσίας EP-5B Περίπου 425 g με προαιρετικό BL-5 και μπαταρία EN-EL18 Περίπου 280 g με MS-D12EN Περίπου 270 g με MS-D12 |

Τεχνικά χαρακτηριστικά και σχεδιασμός υπόκεινται σε αλλαγή χωρίς ειδοποίηση.

☑ Μπαταρίες EN-EL15 και EN-EL18

Η απόδοση των μπαταριών EN-EL15 και EN-EL18 μειώνεται σε θερμοκρασίες κάτω των 10 °C. Βεβαιωθείτε ότι η μπαταρία είναι πλήρως φορτισμένη και διατηρήστε μία ζεστή εφεδρική μπαταρία έτοιμη για αλλαγή αν είναι απαραίτητο. Οι κρύες μπαταρίες μπορεί να ανακτήσουν μέρος του φορτίου τους όταν ζεσταθούν.

☑ Μπαταρίες AA

Λόγω της περιορισμένης χωρητικότητάς τους, οι αλκαλικές μπαταρίες AA LR6 θα πρέπει να χρησιμοποιούνται μόνο όταν δεν υπάρχει εναλλακτική λύση.

Η χωρητικότητα των μπαταριών AA ποικίλει ανάλογα με τις συνθήκες κατασκευής και αποθήκευσης και μπορεί σε κάποιες περιπτώσεις να είναι σημαντικά χαμηλή. Σε ορισμένες περιπτώσεις οι μπαταρίες AA μπορεί να σταματήσουν να λειτουργούν πριν την ημερομηνία λήξης τους. Προσέξτε ότι η χωρητικότητα των μπαταριών AA μπορεί να μειωθεί σε θερμοκρασίες χαμηλότερες των 20 °C. Δεν συνιστάται η χρήση σε χαμηλές θερμοκρασίες.

☑ Ταχύτητα προώθησης καρέ

Οι μπαταρίες EN-EL18 και AA υποστηρίζουν μεγαλύτερες ταχύτητες προώθησης καρέ από τις μπαταρίες EN-EL15. Ωστόσο, λάβετε υπόψη ότι όσον αφορά στις μπαταρίες AA η ταχύτητα προώθησης καρέ θα μειωθεί σε χαμηλές θερμοκρασίες ή εάν το φορτίο τους είναι χαμηλό. Για περισσότερες πληροφορίες σχετικά με τις ταχύτητες προώθησης καρέ, ανατρέξτε στο εγχειρίδιο της φωτογραφικής μηχανής.

Wielofunkcyjny pojemnik na baterie MB-D12

Instrukcja obsługi

Spis treści

| | |
|--|---|
| Zasady bezpieczeństwa | 2 |
| Uwaga dla klientów w Europie | 2 |
| Zalecenia dotyczące użytkowania | 2 |
| Wprowadzenie | 3 |
| Pojemnik MB-D12 i akcesoria | 3 |
| Pojemnik MB-D12 i akcesoria w komplecie | 3 |
| Korzystanie z opcjonalnego zasilacza AC EH-5a/EH-5b i złącza zasilania EP-5B | 3 |
| Korzystanie z opcjonalnej pokrywy komory akumulatora BL-5 | 3 |
| Elementy pojemnika MB-D12 | 4 |
| Spust migawki, wybierak wielofunkcyjny, pokrętła sterujące i przycisk AF-ON pojemnika MB-D12 | 4 |
| Blokada urządzeń sterujących pojemnika MB-D12 ... | 4 |
| Korzystanie z pojemnika na baterie | 5 |
| Mocowanie pojemnika na baterie | 5 |
| Zdejmowanie pojemnika na baterie | 5 |
| Wkładanie baterii/akumulatorów | 6 |
| Wymywanie baterii/akumulatorów | 8 |
| Dane techniczne | 9 |

Zasady bezpieczeństwa

PI

Aby zapewnić prawidłowe działanie urządzenia, przed rozpoczęciem użytkowania należy dokładnie przeczytać niniejszą instrukcję obsługi. Po przeczytaniu należy umieścić ją w miejscu dostępnym dla wszystkich osób, które korzystają z tego produktu.

Uwaga dla klientów w Europie

OSTRZEŻENIE

ISTNIEJE RYZYKO EKSPLOZJI JEŚLI AKUMULATOR ZASTĄPI SIĘ NIEWŁAŚCIWYM TYPEM. ZUŻYTY AKUMULATOR NALEŻY ZUTYLIZOWAĆ ZGODNIE Z INSTRUKCJĄ.

Ten symbol wskazuje, że dany produkt powinien być wyrzucany do śmieci osobno.



Poniższe informacje dotyczą tylko użytkowników w krajach europejskich:

- Ten produkt należy wyrzucać do śmieci osobno w odpowiednich punktach zbiórki odpadów. Nie należy go wyrzucać z odpadami z gospodarstw domowych.
- Więcej informacji można uzyskać u sprzedawcy lub w wydziale miejscowych władz zajmującym się utylizacją odpadów.

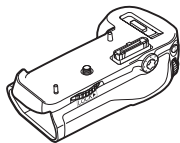
Zalecenia dotyczące użytkowania

- Pojemnik MB-D12 jest przeznaczony do użytku wyłącznie ze zgodnymi aparatami.
- Nie wolno go używać z akumulatorami lub koszykami na baterie, które nie są zalecane w niniejszej instrukcji obsługi.
- Gdy pojemnik MB-D12 jest nieużywany, należy założyć osłonę styków, aby zapobiec zwarciom elektrycznym spowodowanym przez kontakt metalowych przedmiotów ze stykami zasilania.
- Po wyjęciu koszyka na baterie z pojemnika MB-D12 należy wyjąć baterie albo umieścić koszyk lub pokrywę w pokrowcu koszyka, aby zapobiec zwarciom spowodowanym przez kontakt z innymi przedmiotami metalowymi.
- Lampka dostępu do karty pamięci może się zaświecić podczas zakładania lub zdejmowania pojemnika MB-D12, co nie jest usterką.
- Gdyby z pojemnika na baterie zaczął wydobywać się dym lub nietypowy zapach, należy natychmiast zakończyć jego używanie. Po wyjęciu baterii urządzenie należy przekazać sprzedawcy lub autoryzowanemu serwisowi firmy Nikon do kontroli.
- Pojemnik MB-D12 nie jest wyposażony w przełącznik zasilania. Do włączania i wyłączenia zasilania służy przełącznik zasilania znajdujący się na aparacie.

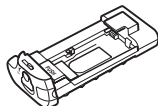
Dziękujemy za zakup wielofunkcyjnego pojemnika na baterie MB-D12 przeznaczonego do użytku ze wszystkimi jednoobiektywowymi lustrzankami cyfrowymi Nikon, których instrukcje obsługi wymieniają pojemnik MB-D12 jako kompatybilne akcesorium. W pojemniku MB-D12 mieści się jeden akumulator EN-EL15 lub EN-EL18 albo osiem baterii/akumulatorów rozmiaru AA (baterie alkaliczne, akumulatory niklowo-wodorkowe lub litowe). Pojemnik jest wyposażony w alternatywne elementy sterujące do robienia zdjęć w orientacji pionowej (portretowej): przycisk **AF-ON**, wybierak wielofunkcyjny, główne pokrętko sterowania oraz przednie pokrętko sterowania. Opcje menu aparatu pozwalają użytkownikowi wybrać, czy najpierw zużywany jest akumulator w aparacie, czy akumulatory/baterie w pojemniku MB-D12; więcej informacji można znaleźć w instrukcji obsługi aparatu.

Pojemnik MB-D12 i akcesoria w komplecie

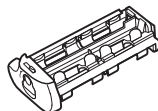
Sprawdź, czy poniższe elementy zostały dostarczone wraz z pojemnikiem MB-D12 (baterie sprzedawane są osobno).



MB-D12



Koszyk MS-D12EN na
baterie EN-EL15



Koszyk MS-D12 na
baterie AA



Pokrowiec koszyka



Osłona
styków

Do celów transportu koszyk MS-D12EN jest włożony do pojemnika MB-D12t. Informacje dotyczące wyjmowania koszyka na baterie znajdują się w części "Wkładanie baterii/akumulatorów".

- Instrukcja obsługi (ten podręcznik)
- Gwarancja

Korzystanie z opcjonalnego zasilacza AC EH-5a/EH-5b i złącza zasilania EP-5B

Opcjonalny zasilacz AC EH-5a/EH-5b i złącze zasilania EP-5B zapewniają niezawodne źródło zasilania, gdy aparat używany jest przez dłuższy okres. Aby skorzystać z zasilacza AC razem z pojemnikiem MB-D12, włóż EP-5B do koszyka na baterię MS-D12EN, tak jak to zostało opisane na stronie 6, a następnie podłącz EH-5a/EH-5b, tak jak jest to opisane w dokumentacji dostarczonej razem z EP-5B.

Korzystanie z opcjonalnej pokrywy komory akumulatora BL-5

Pokrywa komory akumulatora BL-5 (dostępna osobno) jest wymagana podczas korzystania z akumulatorów EN-EL18.



Pokrywa komory
akumulatora BL-5

- ① Osłona styków
- ② Uchwyt osłony styków aparatu
- ③ Styki zasilania/sygnalowe
- ④ Przycisk **AF-ON**
- ⑤ Główne pokrętło sterujące
- ⑥ Wybierak wielofunkcyjny
- ⑦ Pokrętło mocowania
- ⑧ Osłona złącza zasilania koszyka
- ⑨ Pokrywa komory baterii
- ⑩ Komora baterii
- ⑪ Zatrask komory baterii
- ⑫ Śruba mocująca
- ⑬ Spust migawki
- ⑭ Blokada elementów sterujących
- ⑮ Pomocnicze pokrętło sterujące
- ⑯ Gniazdo mocowania statywu
- ⑰ Koszyk MS-D12EN na baterie EN-EL15
- ⑱ Styki zasilania
- ⑲ Styki zasilania (koszyk na baterię MS-D12EN)
- ⑳ Koszyk MS-D12 na baterie AA
- ㉑ Styki zasilania (koszyk na baterię MS-D12)
- ㉒ Pokrywa komory akumulatora BL-5 (dostępna osobno)

Spust migawki, wybierak wielofunkcyjny, pokrętła sterujące i przycisk AF-ON pojemnika MB-D12

Pojemnik MB-D12 wyposażony jest w spust migawki (Rysunek A-⑬), wybierak wielofunkcyjny (Rysunek A-⑥), główne pokrętło sterowania (Rysunek A-⑤), przednie pokrętło sterowania (Rysunek A-⑮), oraz przycisk **AF-ON** (Rysunek A-④) do wykonywania zdjęć przy pionowej (portretowej) orientacji aparatu. Te elementy sterujące mają takie same funkcje, jak odpowiadające im elementy sterujące na aparacie. Aby uzyskać więcej informacji, skorzystaj z instrukcji aparatu.

Zmiany ustawień **Środek wybieraka wielof.**, **Wybierak wielofunkcyjny**, **Dostos. pokręteł sterow.** oraz **Rola prz. AF-ON na MB-D12** w menu ustawień osobistych aparatu (grupa f) mają zastosowanie również do wybieraka wielofunkcyjnego, pokręteł sterowania i przycisku **AF-ON** na MB-D12.

Blokada urządzeń sterujących pojemnika MB-D12

Blokada urządzeń sterujących (Rysunek A-⑭) blokuje urządzenia sterujące na pojemniku MB-D12, aby zapobiec niezamierzonemu ich użyciu. Przed użyciem tych elementów sterujących podczas fotografowania w pozycji pionowej (portret) należy zwolnić blokadę, tak jak pokazuje rysunek po prawej stronie.

Blokada urządzeń sterujących nie jest wyłącznikiem zasilania. Do włączania i wyłączania aparatu służy wyłącznik zasilania znajdujący się na aparacie.



Zablokowane

Odblokowane

Korzystanie z pojemnika na baterie

Mocowanie pojemnika na baterie

Przed zamocowaniem pojemnika na baterie należy upewnić się, że aparat jest wyłączony, a blokada elementów sterujących na pojemniku MB-D12 (rysunek A-14) znajduje się pozycji **L** (ilustracje przedstawiają model D800).

- 1 Zdejmij osłonę styków (rysunek A-1) z pojemnika na baterie.
- 2 Styki do podłączenia pojemnika MB-D12 znajdują się w podstawie aparatu i są chronione przez osłonę styków. Zdejmij osłonę styków, jak pokazano na Rysunku B-1 i włóż ją do uchwytu na osłonę styków na pojemniku MB-D12 (Rysunek B-2).
- 3 Ustaw pojemnik MB-D12, tak by śruba mocująca pojemnika MB-D12 (Rysunek C-2) była zbieżna z gniazdem mocowania statywu aparatu (Rysunek C-1), i dokręć pokrętło mocujące w kierunku wskazanym przez strzałkę **LOCK** (Rysunek D). Wyjmowanie baterii z aparatu przed założeniem pojemnika MB-D12 nie jest konieczne. Przy korzystaniu z ustawień domyślnych bateria włożona do aparatu będzie wykorzystywana tylko po wyczerpaniu baterii w pojemniku MB-D12. Opcja **Kolejność zasilania** w Menu Użytkownika aparatu (Groupa d) może służyć do zmiany kolejności, w jakiej wykorzystywane są baterie.

Pamiętaj, aby umieścić pokrywę styków aparatu w uchwycie pokrywy styków oraz aby schować pokrywę styków pojemnika MB-D12 w bezpiecznym miejscu, po to by jej nie zgubić.

PB-6D i pierścień pośredni PK-13 są wymagane podczas korzystania z mieszka do makrofotografii PB-6 w połączeniu z MB-D12.


Zdejmowanie pojemnika na baterie



Aby zdjąć pojemnik MB-D12, wyłącz aparat i ustaw blokadę urządzeń sterujących pojemnika MB-D12 na **L**, następnie odkręć pokrętło mocujące i zdejmij pojemnik MB-D12. Pamiętaj o ponownym założeniu pokrywy styków na aparat oraz pokrywy styków na pojemnik MB-D12, kiedy nie jest on używany.



Wkładanie baterii/akumulatorów

MB-D12 można używać z jednym akumulatorem jonowo-litowym EN-EL15 lub EN-EL18 albo z ośmioma akumulatorami/bateriami rozmiaru AA. Pokrywa komory akumulatora BL-5 (dostępna osobno) jest wymagana podczas korzystania z akumulatora EN-EL18.

Przed założeniem baterii upewnij się, czy aparat jest wyłączony, a blokada urządzeń sterujących pojemnika MB-D12 znajduje się w pozycji **L**.

- 1 Ustaw zatrzask komory baterii pojemnika MB-D12 w pozycji  i wyjmij koszyk na baterie (Rysunek E).
- 2 Załaduj baterie według opisów poniżej.



EN-EL15: Dopasuj wgłębienia na akumulatorze z wypustami na koszyku MS-D12EN, włóż baterię ze strzałką (▲) na baterii skierowaną w stronę styków zasilania koszyka na baterie (Rysunek F-). Naciśnij lekko na baterię i wsuń ją w kierunku wskazanym przez strzałkę, aż styki zasilania zaskoczą na swoje miejsce (Rysunek F-.

EN-EL18: Jeśli przycisk zwalniania akumulatora na opcjonalnej pokrywie komory akumulatora BL-5 jest ustawiony tak, że widoczna jest strzałka , przesunij przycisk zwalniania akumulatora, aby zasłonić strzałkę (Rysunek G-). Włóż dwa wystające elementy na akumulatorze w odpowiednie otwory w BL-5 (Rysunek G-) i sprawdź, czy przycisk zwalniania akumulatora przesunął się w bok, odsłaniając strzałkę.

Baterie/akumulatory AA: Włóż osiem baterii/akumulatorów AA w uchwyt baterii MS-D12 zgodnie z ilustracją H, sprawdzając, czy bieguny baterii/akumulatorów są ustawione poprawnie.

- 3 Włóż koszyk baterii do pojemnika MB-D12 i zamknij zatrzask pokrywy komory baterii (Rysunek I). Sprawdź, czy koszyk jest całkowicie wsunięty, zanim zamkniesz na zatrzask.
- 4 Włącz aparat i sprawdź poziom naładowania baterii na panelu sterowania lub w wizjerze. Jeżeli kamera nie włączy się, sprawdź czy baterie zostały poprawnie włożone.

Złącze zasilania EP-5B

W celu użycia złącza zasilania EP-5B włóż je do koszyka pojemnika MS-D12EN, tak aby strzałka (▲) na złączu była skierowana do styków zasilania baterii. Naciśnij lekko na złącze i przesuń je w kierunku wskazywanym przez strzałkę, aż styki zasilania zaskoczą na swoje miejsce (Rysunek J-). Otwórz osłonę złącza zasilania koszyka i przełóż kabel zasilania EP-5B przez otwór (Rysunek J-.

Stan baterii

Poniżej przedstawiono stan baterii wyświetlany w aparacie:

Akumulator EN-EL15/EN-EL18

| Panel kontrolny | Wizjer | Opis |
|-----------------|--------|--|
| | — | Akumulator jest całkowicie naładowany. |
| | — | Akumulator jest częściowo rozładowany. |
| | | Niski poziom naładowania akumulatora. Przygotuj zapasowy naładowany akumulator lub naładuj akumulator. |
| | | Akumulator rozładowany. Naładuj lub wymień akumulator. |

Baterie typu AA

| Panel kontrolny | Wizjer | Opis |
|-----------------|--------|---|
| | — | Stan baterii. |
| | | Niski poziom naładowania baterii. Przygotuj zapasowe baterie. |
| | | Baterie są rozładowane. Zablockowany spust migawki. |

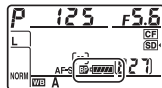
Opcja w Grupie d Menu Użytkownika aparatu może służyć do zmiany kolejności, w jakiej wykorzystywane są baterie. Kiedy aparat pobiera zasilanie z pojemnika MB-D12, na panelu kontrolnym wyświetlana jest ikona . Jeżeli ikona mruga, pokrywa komory baterii nie jest zamknięta. Zamknij i zatrzaśnij pokrywę komory baterii.

Aby mieć pewność, że aparat pokazuje poprawny stan naładowania baterii podczas korzystania z baterii AA, wybierz odpowiednią opcję dla

Rodzaj baterii w MB-D12 w menu Ustawień Osobistych aparatu (Grupa d). Jeżeli poprawna opcja nie zostanie wybrana, aparat może nie działać zgodnie z oczekiwaniami.

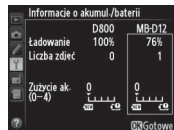
| Opcja | Typ baterii |
|---------------------|---------------------------------|
| LR6 (alkaliczne AA) | Alkaliczna typu AA (LR6) |
| HR6 (Ni-MH AA) | Niklowo-wodorkowa typu AA (HR6) |
| FR6 (litowe AA) | Litowa typu AA (FR6) |

Wymij baterie, jeżeli pojemnik MB-D12 jest nieużywany.



Informacje o zasilaniu

Informacje o akumulatorze (w tym informacje o kalibracji akumulatorów EN-EL18) można wyświetlić w menu ustawień aparatu (akumulator aparatu jest pokazany po lewej stronie, a MB-D12 po prawej). W przypadku korzystania z baterii/akumulatorów AA wyświetlana jest tylko ikona poziomu naładowania baterii/akumulatorów. Więcej informacji można znaleźć w instrukcji obsługi aparatu.




Uwaga: Ilustracje znajdujące się tej stronie pochodzą z modelu D800.

Wymowanie baterii/akumulatorów

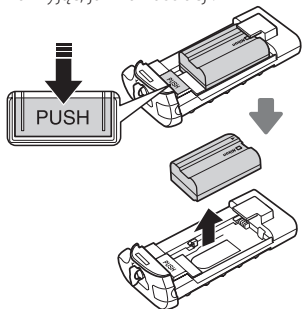
Uważaj, aby nie upuścić baterii lub koszyka.

PI

- 1 Ustaw zatrzask komory baterii pojemnika MB-D12 w pozycji  i wyjmij koszyk na baterie (Rysunek E).
- 2 Wymij akumulator lub baterie z koszyka.


EN-EL15

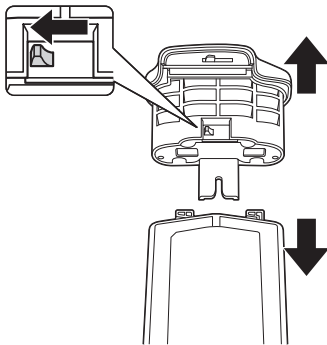
Naciskając przycisk **PUSH**, wysuń akumulator w stronę przycisku. Następnie akumulator można wyjąć, jak na ilustracji.



Procedura wyjmowania złącza zasilania EP-5B jest taka sama jak w przypadku EN-EL15.

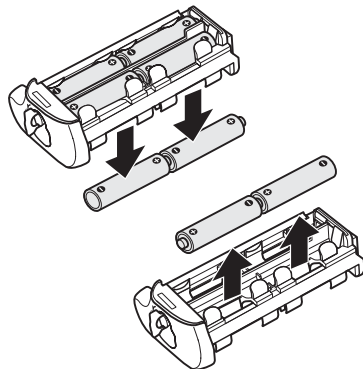
EN-EL18

Przesuń przycisk zwalniania akumulatora w kierunku wskazanym strzałką () i zdejmij pokrywę komory akumulatora.



Baterie AA

Wyjmij baterie, jak na ilustracji. Uważaj, aby nie upuścić baterii podczas wyjmowania ich z koszyka.



Dane techniczne

| | |
|-------------------------------------|---|
| Zasilanie | Jeden akumulator jonowo-litowy EN-EL15 lub EN-EL18, osiem alkalicznych baterii LR6, akumulatorów niklowo-wodorkowych HR6 lub akumulatorów litowych FR6 w rozmiarze AA, lub też zasilacz sieciowy EH-5b/EH-5a/EH-5 (wymaga złącza zasilania EP-5B) |
| Temperatura pracy | 0–40°C |
| Wymiary (szer. × wys. × gł.) | Okolo 151 × 50 × 81 mm |
| Masa | Okolo 365 g z MS-D12EN i opcjonalnym akumulatorem EN-EL15 Okolo 460 g z MS-D12 i ośmioma akumulatorami/bateriami AA (dostępne osobno od innych dostawców) Okolo 310 g z MS-D12EN i opcjonalnym złączem zasilania EP-5B Okolo 425 g z opcjonalnym BL-5 i akumulatorem EN-EL18 Okolo 280 g z MS-D12EN Okolo 270 g z MS-D12 |

Dane techniczne i wzornictwo mogą ulec zmianie bez powiadomienia.

Akumulatory EN-EL15 i EN-EL18

Wydajność akumulatorów EN-EL15 i EN-EL18 spada w temperaturze poniżej około 10 °C. Sprawdź, czy akumulator jest w pełni naładowany oraz miej pod ręką ciepły akumulator zapasowy, aby dokonać wymiany w razie potrzeby. Zimne akumulatory odzyskują część swojego ładunku po ogrzaniu.

Baterie typu AA

Ze względu na swoją ograniczoną pojemność, baterie alkaliczne AA LR6 powinny być wykorzystywane tylko w przypadku braku innej możliwości.

Pojemność baterii AA zmienia się w zależności od producenta i warunków przechowywania i może być wyjątkowo niska; w niektórych przypadkach baterie AA mogą przestać działać przed upływem terminu ich ważności. Pamiętaj, że pojemność baterii AA może spaść w temperaturach poniżej 20 °C. Nie zaleca się korzystania z nich w niskiej temperaturze.

Szybkość rejestrowania zdjęć

Akumulatory EN-EL18 i akumulatory/baterie rozmiaru AA zapewniają wyższą szybkość rejestrowania zdjęć niż akumulator EN-EL15. Zwróć jednak uwagę, że w przypadku akumulatorów/baterii AA szybkość rejestrowania zdjęć spada w niskiej temperaturze lub gdy poziom ich naładowania jest niski. Aby uzyskać więcej informacji o szybkości rejestrowania zdjęć, skorzystaj z instrukcji aparatu.

Multifunkční Battery Pack MB-D12

Návod k obsluze

Obsah

| | |
|--|---|
| Bezpečnostní upozornění | 2 |
| Upozornění pro zákazníky v Evropě | 2 |
| Informace k použití | 2 |
| Úvod | 3 |
| Příslušenství pro MB-D12..... | 3 |
| Dodávané příslušenství..... | 3 |
| Použití volitelného síťového zdroje EH-5a/EH-5b a konektoru pro připojení síťového zdroje EP-5B | 3 |
| Použití volitelné krytky prostoru pro baterii BL-5 | 3 |
| Části MB-D12 | 4 |
| Tlačítko spouště, multifunkční volič, příkazové voliče a tlačítko AF-ON na MB-D12 | 4 |
| Aretace ovladačů na MB-D12..... | 4 |
| Použití zařízení Battery Pack..... | 5 |
| Nasazení zařízení Battery Pack..... | 5 |
| Sejmutí zařízení Battery Pack..... | 5 |
| Vložení baterií | 6 |
| Vyjmutí baterií | 8 |
| Specifikace..... | 9 |

Bezpečnostní upozornění

Abyste zajistili řádný provoz, přečtěte si před použitím produktu pečlivě tento návod. Po přečtení návod uložte na místě, kde bude přístupný pro všechny, kteří tento produkt použijí.

Upozornění pro zákazníky v Evropě

VAROVÁNÍ

POKUD JE POUŽÍVÁN NESPRÁVNÝ TYP BATERIÍ, HROZÍ NEBEZPEČÍ VÝBUCHU. POUŽITÉ BATERIE LIKVIDUJTE PODLE MÍSTNĚ PLATNÝCH ZÁKONŮ.

Tento symbol značí, že přístroj nepatří do komunálního odpadu.

Následující informace jsou určeny pouze uživatelům v evropských zemích:



- Likvidace tohoto výrobku se provádí v rámci tříděného odpadu na příslušném sběrném místě. Výrobek nedávejte do běžného komunálního odpadu.
- Další informace ohledně nakládání s odpadními produkty Vám poskytne dodavatel nebo místní úřad.

Informace k použití

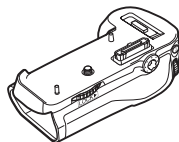
- Battery Pack MB-D12 je určen pro použití pouze s kompatibilními fotoaparáty.
- Nepoužívejte jej společně s bateriemi a držáky baterií, které nejsou v tomto návodu doporučené.
- Pokud MB-D12 právě nepoužíváte, nasadte krytku kontaktů, abyste zamezili elektrickému zkratu, který by mohl způsobit vzájemný dotek těchto kontaktů a kovových předmětů.
- Pokud je držák baterií vyjmutý z MB-D12, vyjměte baterie nebo vložte držák či kryt do pouzdra, abyste zabránili elektrickému zkratu, který by mohl způsobit dotek kovových předmětů a elektrických kontaktů.
- Při nasazování a snímání MB-D12 se může rozsvítit kontrolka přístupu na paměťovou kartu. Nejedná se o závadu.
- Pokud ze zařízení začne stoupat dým nebo zaznamenáte neobvyklý zápach, okamžitě zařízení přestaňte používat. Po vyjmutí baterií odneste zařízení ke kontrole k prodejci nebo do autorizovaného servisu Nikon.
- Zařízení MB-D12 není vybaveno hlavním vypínačem. Fotoaparát zapnete či vypnete otočením hlavního vypínače.

Děkujeme, že jste si zakoupili multifunkční Battery Pack MB-D12 určený k použití s jednookými zrcadlovkami Nikon, které ve svém návodu uvádějí MB-D12 jako kompatibilní příslušenství. Battery Pack MB-D12 je napájen pomocí jedné dobíjecí baterie EN-EL15 nebo EN-EL18, resp. pomocí osmi tužkových baterií AA (alkalických, Ni-MH nebo lithiových), a je vybaven alternativním tlačítkem spouště, tlačítkem **AF-ON**, multifunkčním voličem a hlavním a pomocným příkazovým voličem pro fotografování v orientaci na výšku (portrétní orientace). Menu fotoaparátu umožňuje uživateli zvolit prioritu používání baterie fotoaparátu či baterií v MB-D12; detaily naleznete v návodu k fotoaparátu.

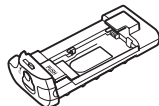
Příslušenství pro MB-D12

Dodávané příslušenství

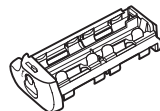
Ujistěte se, že balení MB-D12 obsahuje následující položky (baterie se prodávají samostatně).



MB-D12



Držák MS-D12EN na
baterie EN-EL15



Držák MS-D12 na
baterie AA



Pouzdro na držák



Krytka
kontaktů

Držák MS-D12EN je při dodání uložen v MB-D12. Pokyny k vyjmutí držáku, viz „Vložení baterií“.

- Návod k obsluze (tento návod)
- Záruční list

Použití volitelného síťového zdroje EH-5a/EH-5b a konektoru pro připojení síťového zdroje EP-5B

Volitelný síťový zdroj EH-5a/EH-5b a konektor pro připojení síťového zdroje EP-5B poskytují spolehlivé napájení, když je fotoaparát používán po delší dobu. Pokud chcete použít síťový zdroj s MB-D12, vložte EP-5B do držáku baterie MS-D12EN tak, jak je popsáno na straně 6, a poté připojte EH-5a/EH-5b podle návodu dodaného společně s EP-5B.

Použití volitelné krytky prostoru pro baterii BL-5

Krytka prostoru pro baterii BL-5 (dostupná samostatně) je nutná při použití baterií EN-EL18.



Krytka prostoru
pro baterii BL-5

- ① Krytka kontaktů
- ② Držák na krytku kontaktů fotoaparátu
- ③ Napájecí/signálové kontakty
- ④ Tlačítko **AF-ON**
- ⑤ Hlavní příkazový volič
- ⑥ Multifunkční volič
- ⑦ Upevňovací kolečko
- ⑧ Krytka průchodky kabelu konektoru pro připojení síťového zdroje na držáku
- ⑨ Krytka prostoru pro baterii
- ⑩ Prostor pro baterii
- ⑪ Aretace prostoru pro baterii
- ⑫ Montážní šroub
- ⑬ Tlačítko spouště
- ⑭ Aretace ovladačů
- ⑮ Pomocný příkazový volič
- ⑯ Stativový závit
- ⑰ Držák MS-D12EN na baterie EN-EL15
- ⑱ Napájecí kontakty
- ⑲ Napájecí kontakty (držák baterie MS-D12EN)
- ⑳ Držák MS-D12 na baterie AA
- ㉑ Napájecí kontakty (držák baterií MS-D12)
- ㉒ Krytka prostoru pro baterii BL-5 (dostupná samostatně)

Tlačítko spouště, multifunkční volič, příkazové voliče a tlačítko AF-ON na MB-D12

Zařízení MB-D12 je vybaveno tlačítkem spouště (Obrázek A-⑬), multifunkčním voličem (Obrázek A-⑥), hlavním příkazovým voličem (Obrázek A-⑤), pomocným příkazovým voličem (Obrázek A-⑮) a tlačítkem **AF-ON** (Obrázek A-④), které lze použít při pořizování snímků na výšku. Tyto ovládací prvky mají stejnou funkci jako příslušné ovládací prvky na fotoaparátu. Další informace viz návod k obsluze fotoaparátu.

Změny nastavení položek **Střední tlačítko mult. voliče, Multifunkční volič, Uživ. nastavení ovladačů** a **Funkce tl. AF-ON na MB-D12** v menu uživatelských funkcí fotoaparátu (Skupina f) se vztahují rovněž na multifunkční volič, příkazové voliče a tlačítko **AF-ON** na MB-D12.

Aretace ovladačů na MB-D12

Aretace ovladačů (Obrázek A-⑭) blokuje ovladače na MB-D12, aby se předešlo jejich nechtěnému použití. Před použitím těchto ovladačů k pořizování snímků na výšku nastavte aretaci tak, jak je ukázáno vpravo.

Aretace ovladačů neslouží jako hlavní vypínač. Fotoaparát zapnete a vypnete použitím hlavního vypínače.



Zaretováno



Odaretováno

Použití zařízení Battery Pack

Nasazení zařízení Battery Pack

Před nasazením zařízení Battery Pack se ujistěte, že je fotoaparát vypnutý a že se aretace ovladačů na MB-D12 (Obrázek A-14) nachází v pozici **L** (na obrázku D800).

- 1 Ze zařízení Battery Pack sejměte krytku kontaktů (Obrázek A-1).
- 2 Kontakty pro MB-D12 se nacházejí na spodní části fotoaparátu, kde jsou chráněny krytkou kontaktů. Sejměte krytku kontaktů způsobem vyobrazeným na obrázku B-1, a umístěte ji do držáku na krytku kontaktů na MB-D12 (Obrázek B-2).
- 3 Nainstalujte MB-D12 tak, že montážní šroub na MB-D12 (Obrázek C-2) vyrovnáte se stativovým závitem fotoaparátu (Obrázek C-1) a přitáhnete pomocí upevňovací kolečka, kterým budete otáčet ve směru šipky **LOCK** (Obrázek D). Před připojením MB-D12 není nutné vyjmát z fotoaparátu baterii. Baterie fotoaparátu se ve výchozím nastavení použije pouze v případě, že je baterie v MB-D12 vybitá. Pro změnu pořadí, v němž budou baterie používány, upravte nastavení položky **Pořadí použití baterií** v menu uživatelských funkcí fotoaparátu (Skupina d).

Ujistěte se, že jste umístili krytku kontaktů fotoaparátu do držáku na krytku kontaktů a že jste uložili krytku kontaktů MB-D12 na bezpečném místě, abyste zabránili její ztrátě.

Při použití měchového zařízení PB-6 v kombinaci s MB-D12 je nutný distanční nástavec PB-6D a automatický mezikroužek PK-13.

Sejmutí zařízení Battery Pack

Chcete-li sejmout MB-D12, vypněte fotoaparát, nastavte aretaci ovladačů na MB-D12 do polohy **L**, a potom uvolněte upevňovací kolečko a sejměte MB-D12 z fotoaparátu. Nebudete-li MB-D12 nadále používat, nezapomeňte nasadit zpět krytku kontaktů na fotoaparátu a krytku kontaktů na MB-D12.

Vložení baterií

Battery Pack MB-D12 lze napájet pomocí jedné dobíjecí lithium-iontové baterie EN-EL15 nebo EN-EL18, resp. pomocí osmi tužkových baterií AA. Při použití baterie EN-EL18 je nutná krytka prostoru pro baterii BL-5 (dostupná samostatně).

Před vložení baterií se ujistěte, že fotoaparát je vypnutý a že se aretace ovladačů na MB-D12 nachází v pozici **L**.

1 Aretaci prostoru pro baterii na MB-D12 nastavte do polohy  a sejměte držák baterie (Obrázek E).

2 Připravte si baterie podle níže uvedeného postupu.

EN-EL15: Vyrovnajte výřezy na baterii s výstupky na držáku MS-D12EN a vložte baterii do držáku se šipkou (▲) na baterii orientovanou ve směru napájecích kontaktů na držáku (Obrázek F-**1**). Přitiskněte baterii lehce směrem dolů a posuňte ji tak daleko ve směru šipky, až dojde k slyšitelnému propojení napájecích kontaktů (Obrázek F-**2**).

EN-EL18: Pokud je aretace baterie na volitelné krytce prostoru pro baterii BL-5 nastavená do polohy, ve které je viditelná šipka ◁, posuňte aretaci baterie tak, aby zakryla šipku (Obrázek G-**1**). Vložte dva výstupky na baterii do odpovídajících slotů v krytce BL-5 (Obrázek G-**2**) a zkontrolujte, jestli se aretace baterie posunula stranou a odkryla šipku.

Baterie AA: Způsobem vyobrazeným na obrázku H vložte do držáku baterií MS-D12 osm tužkových baterií AA. Při vkládání baterií dbejte na jejich správnou orientaci.

3 Vložte držák baterií do MB-D12 a pomocí aretace zajistěte krytku prostoru pro baterii (Obrázek I). Před otočením aretace se ujistěte, že je držák zcela zasunutý do těla zařízení.

4 Zapněte fotoaparát a zkontrolujte stav baterie na kontrolním panelu nebo v hledáčku. Pokud se fotoaparát nezapne, zkontrolujte, zda je baterie správně vložena.







Konektor pro připojení síťového zdroje EP-5B

Pokud používáte konektor pro připojení síťového zdroje EP-5B, vložte jej do držáku MS-D12EN se šipkou (▲) na konektoru orientovanou směrem k napájecím kontaktům. Přitiskněte konektor lehce směrem dolů a posuňte jej tak daleko ve směru šipky, až dojde k slyšitelnému propojení napájecích kontaktů (Obrázek J-**1**). Otevřete krytku průchodky kabelu konektoru pro připojení síťového zdroje na držáku a protáhněte kabel EP-5B otvorem (Obrázek J-**2**).






Stav baterie



Fotoaparát zobrazuje stav baterie následovně:

Baterie EN-EL15/EN-EL18




| Kontrolní panel | Hledáček | Popis |
|--|--|--|
|  | — | Baterie je zcela nabitá. |
|  | — | Baterie je částečně vybitá. |
|  |  | Nízká kapacita baterie. Použijte náhradní, zcela nabitou baterii nebo nabijte stávající baterii. |
|  (bliká) |  (bliká) | Baterie je vybitá. Nabijte nebo vyměňte baterii. |

Baterie AA

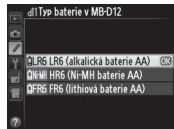
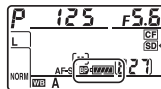
| Kontrolní panel | Hledáček | Popis |
|--|--|---|
|  | — | Dostatečná kapacita baterií. |
|  |  | Nízká kapacita baterií. Použijte náhradní baterie. |
|  (bliká) |  (bliká) | Baterie jsou vybité. Spuštění závěrky je zablokováno. |

Pokud chcete změnit pořadí, v němž budou baterie používány, můžete použít položku ve Skupině d v menu uživatelských funkcí fotoaparátu. Pokud fotoaparát využívá energii z MB-D12, na kontrolním panelu se zobrazuje ikona . Jestliže ikona  bliká, není zaaretována krytka prostoru pro baterii. Zavřete a zaaretujte krytku prostoru pro baterii.

V menu uživatelských funkcí fotoaparátu (Skupina d) nastavte odpovídajícím způsobem položku **Typ baterie v MB-D12** - zajistíte tak správnou indikaci stavu baterií fotoaparátem při použití baterií AA. Pokud tato položka nebude nastavena správně, fotoaparát může pracovat jinak, než jste očekávali.

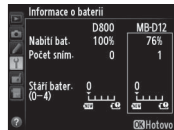
| Volba | Typ baterie |
|--|--------------------|
|  LR6 LR6 (alkalická baterie AA) | Alkalická AA (LR6) |
|  HR6 HR6 (Ni-MH baterie AA) | Ni-MH AA (HR6) |
|  FR6 FR6 (lithiová baterie AA) | Lithiová AA (FR6) |

Jestliže MB-D12 nepoužíváte, vyjměte baterie.



Informace o baterii


Informace o baterii (včetně kalibračních informací pro baterii EN-EL18) lze zobrazit v menu nastavení fotoaparátu (baterie ve fotoaparátu je uvedena vlevo, baterie v MB-D12 vpravo). Pokud používáte baterie AA, zobrazí se pouze ikona stavu baterie. Podrobnosti viz návod k použití fotoaparátu.



Poznámka: Obrázky na této stránce ukazují D800.

Vyjmutí baterií

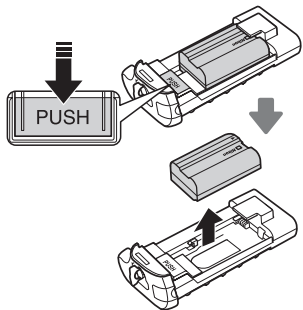
Dejte pozor, abyste baterie nebo držák neupustili.

- 1 Aretaci prostoru pro baterii na MB-D12 nastavte do polohy  a vyjměte držák baterie (Obrázek E).
- 2 Vyjměte baterii nebo baterie z držáku.

Cz


EN-EL15

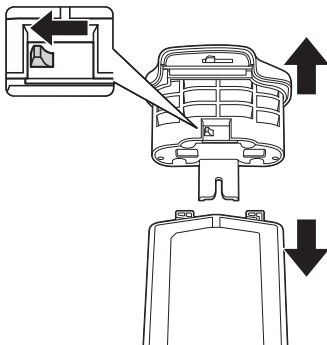
Na držáku stiskněte tlačítko **PUSH** a zároveň posuňte baterii směrem k tlačítku. Baterii lze poté vyjmout vyobrazeným způsobem z držáku.



Postup vyjmutí konektoru pro připojení síťového zdroje EP-5B je stejný jako u EN-EL15.

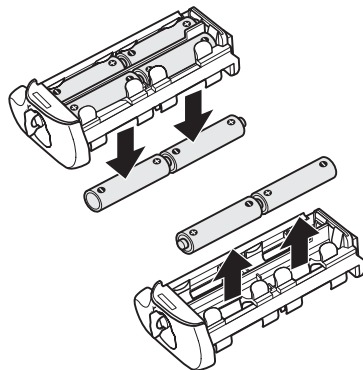
EN-EL18

Posuňte aretaci baterie ve směru vyobrazeném šipkou () a sejměte krytku prostoru pro baterii.



Baterie AA

Baterie vyjměte vyobrazeným způsobem. Dejte pozor, abyste baterie při vyjímání z držáku neupustili.



Specifikace

| | |
|-------------------------|---|
| Zdroje energie | Jedna dobíjecí lithium-iontová baterie EN-EL15 nebo EN-EL18, osm alkalických (LR6), Ni-MH (HR6) nebo lithiových (FR6) tužkových baterií AA nebo síťový zdroj EH-5b/EH-5a/EH-5 (vyžaduje konektor pro připojení síťového zdroje EP-5B) |
| Provozní teplota | 0 – 40 °C |
| Rozměry (š×v×h) | Přibližně 151 × 50 × 81 mm |
| Hmotnost | Přibližně 365 g s držákem MS-D12EN a volitelnou baterií EN-EL15 Přibližně 460 g s držákem MS-D12 a osmi tužkovými bateriemi AA (dostupné samostatně od třetích výrobců) Přibližně 310 g s držákem MS-D12EN a volitelným konektorem pro připojení síťového zdroje EP-5B Přibližně 425 g s volitelnou krytkou BL-5 a baterií EN-EL18 Přibližně 280 g s držákem MS-D12EN Přibližně 270 g s držákem MS-D12 |

Specifikace a design se mohou změnit bez předchozího upozornění.

Baterie EN-EL15 a EN-EL18

Výkonnost baterií EN-EL15 a EN-EL18 se při teplotách pod 10 °C snižuje. Ujistěte se, že je baterie plně nabitá, a pro případ potřeby mějte k dispozici rezervní baterii. Baterie po zahřátí získá zpět část své původní kapacity.

Baterie AA

Vzhledem ke své omezené kapacitě by měly být alkalické baterie AA LR6 používány pouze tehdy, pokud neexistuje jiná možnost.

Kapacita baterií AA závisí na typu baterií a skladovacích podmínkách a může být v některých případech extrémně nízká; AA baterie mohou přestat fungovat před uplynutím doby jejich životnosti. Kapacita baterií AA může poklesnout při teplotách pod 20 °C. Nedoporučujeme používání těchto baterií za nízkých teplot.

Snímací frekvence

Baterie EN-EL18 a tužkové baterie AA podporují vyšší snímací frekvence než baterie EN-EL15; je třeba však brát na zřetel, že v případě tužkových baterií AA se snímací frekvence za nízkých teplot nebo při nízké kapacitě baterií snižuje. Další informace o snímacích frekvencích viz návod k obsluze fotoaparátu.

MB-D12 Multi power elemtartó markolat Használati útmutató

Tartalomjegyzék

| | |
|---|---|
| Biztonsági előírások | 2 |
| Megjegyzések európai vásárlóink számára | 2 |
| Használati előírások | 2 |
| Bevezetés | 3 |
| Az MB-D12 és tartozékai..... | 3 |
| Az MB-D12 és a szállított tartozékai | 3 |
| Az opcionális EH-5a/EH-5b hálózati tápegység és EP-5B tápcsatlakozó használata | 3 |
| A külön megvásárolható BL-5 akkufedél használata... | 3 |
| Az MB-D12 részei..... | 4 |
| Az MB-D12 zárkioldó gombja, választógombja, vezérlőtárcsája és AF-ON gombja..... | 4 |
| Az MB-D12 vezérlő zárja..... | 4 |
| Az elemtartó használata..... | 5 |
| Az elemtartó csatlakoztatása | 5 |
| Az elemtartó eltávolítása..... | 5 |
| Elemek behelyezése | 6 |
| Az akkumulátor eltávolítása | 8 |
| Műszaki adatok..... | 9 |

Biztonsági előírások

A helyes működés érdekében, kérjük, figyelmesen olvassa el ezt a használati utasítást a használat előtt. Miután elolvasta, győződjön meg arról, hogy mindenkinek elérhető helyen tárolja, aki ezt a terméket használja.

Hu

Megjegyzések európai vásárlóink számára

FIGYELEM

A NEM MEGFELELŐ TÍPUSÚ AKKUMULÁTOROK HASZNÁLATA ROBBANÁSVESZÉLYES. AZ ELHASZNÁLT AKKUMULÁTOROK KIDOBÁSÁNÁL AZ UTASÍTÁSOKNAK MEGFELELŐEN JÁRJON EL.

Ez az ikon azt jelzi, hogy a terméket elkülönítve kell begyűjteni.



Az alábbi információ kizárólag az európai vásárlókra vonatkozik:

- Ezt a terméket külön, erre a célra kijelölt helyen gyűjtik be. Ne dobja ki háztartási hulladékként.
- Amennyiben bővebb információt szeretne kapni, lépjen kapcsolatba a viszonteladóval, vagy a hulladékkezelésért felelős helyi szervekkel.

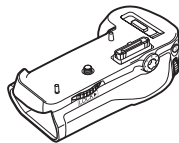
Használati előírások

- Az MB-D12-t csak kompatibilis fényképezőgépekkel használja.
- Ne használja olyan elemekkel és elemtartókkal, amelyeket nem ajánl a jelen használati útmutató.
- A csatlakozók fém tárgyakkal való érintkezése általi áramütést elkerülendő, helyezze vissza az érintkező sapkát, amikor nem használja az MB-D12-et.
- Amikor az elemtartót eltávolítja az MB-D12-ről, vegye ki az elemeket vagy helyezze a tartót vagy a fedelet a tokba, hogy elkerülje a fém tárgyakkal való érintkezés általi áramütést.
- A kártyaművelet jelzőfénye felvillanhat, amikor az MB-D12-et csatlakoztatja, vagy eltávolítja a fényképezőgépről, de ez nem jelent hibás működést.
- Amennyiben füstöt vagy szokatlan szagot, hangot észlel az elemtartóból, azonnal hagyja abba a használatát. Miután eltávolította az elemeket, vigye vissza a kereskedőhöz vagy egy Nikon által engedélyezett képviselőhöz átvizsgálásra.
- Az MB-D12 nincs felszerelve főkapcsolóval. Használja a fényképezőgép főkapcsolóját a be- és kikapcsoláshoz.

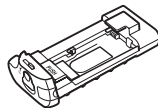
Köszönjük, hogy egy MB-D12 multi power elemtartó markolatot vásárolt, melyet minden olyan Nikon tükörreflexes digitális fényképezőgéphez használhat, amelynek használati útmutatója kompatibilis tartozékként jelöli meg az MB-D12 egységet. Az MB-D12 egység egy EN-EL15 vagy EN-EL18 újratölthető akkumulátorral, vagy nyolc darab AA méretű (alkáli, Ni-MH vagy lítium) elemmel működik, egy helyettesítő kioldógombot, **AF-ON** gombot, választógombot, valamint vezérlő- és segédtárcsákat tartalmaz az „álló” (portré) tájolású fényképek elkészítéséhez. A fényképezőgép menü választéka lehetővé teszi a felhasználónak, hogy kiválassza, melyik akkumulátort használja először, a fényképezőgépét, vagy az MB-D12-ét; részletekért olvassa el a fényképezőgép használati útmutatóját.

Az MB-D12 és a szállított tartozékai

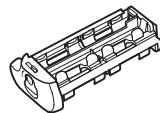
Győződjön meg arról, hogy a következő tartozékok leszállításra kerültek az MB-D12-gyel együtt (az elemek külön megvásárolhatóak).



MB-D12



EN-EL15 elemek
MS-D12EN tartója



AA elemek
MS-D12 tartója



Tartó tokja



Érintkező
sapka

Az MS-D12EN az MB-D12-be van beillesztve szállításkor. Az elemtartó eltávolításához tartozó információt lásd a „Elemek behelyezése” részénél.

- Használati útmutató (ez az útmutató)
- Jótállás

Az opcionális EH-5a/EH-5b hálózati tápegység és EP-5B tápcsatlakozó használata

Az opcionális EH-5a/EH-5b hálózati tápegység és EP-5B tápcsatlakozó megbízható energiaforrást biztosít, amikor a fényképezőgépet huzamosabb ideig használja. Az MB-D12-nél, a hálózati tápegység használatához, illesse be az EP-5B-t az MS-D12EN akkumulátor tartóba, ahogyan az a 6. oldalon szerepel, és ezután csatlakoztassa az EH-5a/EH-5b-t, ahogyan az az EP-5B dokumentációjában szerepel.

A külön megvásárolható BL-5 akkumulátorfedél használata

A (külön beszerezhető) BL-5 akkumulátorfedélre EN-EL18 akkumulátorok használata esetén van szükség.



BL-5
akkumulátorfedél

- ① Érintkező sapka
- ② A fényképezőgép érintkező sapkájának tokja
- ③ Kapcsoló/jelző érintkezők
- ④ **AF-ON** gomb
- ⑤ Fő vezérlőtárcsa
- ⑥ Választógomb
- ⑦ Toldalék tárcsa
- ⑧ Tartó kapcsolójának csatlakozó fedele
- ⑨ Akkufedél
- ⑩ Akkumulátor-foglalat
- ⑪ Akkufedél zárja
- ⑫ Csatlakoztató csavar
- ⑬ Kioldógomb
- ⑭ Vezérlő zár
- ⑮ Segéd tárcsa
- ⑯ Állványmenet
- ⑰ EN-EL15 elemek MS-D12EN tartója
- ⑱ Kapcsolási csatlakozók
- ⑲ Kapcsolási csatlakozók (MS-D12EN elemtartóhoz)
- ⑳ AA elemek MS-D12 tartója
- ㉑ Kapcsolási csatlakozók (MS-D12 elemtartóhoz)
- ㉒ BL-5 akkumulátorfedél (külön beszerezhető)

Az MB-D12 zárkioldó gombja, választógombja, vezérlőtárcsái és AF-ON gombja

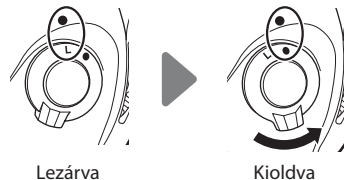
Az MB-D12 fel van szerelve kioldógombbal (A-⑬ ábra), választógombbal (A-⑥ ábra), fő vezérlőtárcsával (A-⑤ ábra), segéd tárcsával (A-⑮ ábra), és **AF-ON** gombbal (A-④ ábra) függőleges („álló” vagy portré) fényképek készítéséhez. Ezek a vezérlők a fényképezőgépen található azonos vezérlőkkel egyező funkciót töltenek be. További információkat a fényképezőgép használati útmutatójában talál.

A fényképezőgép Egyéni beállítások menüjében (f. csoport) a **Multi selector center button (választógomb középső gombjára)**, a **Multi selector (választógombra)**, a **Customize command dials (vezérlőtárcsák egyéni beállításaira)** és az **Assign MB-D12 AF-ON (MB-D12 AF kiosztása)** vonatkozó beállításokon végrehajtott módosítások az MB-D12 választógombjára, vezérlőtárcsáira és **AF-ON** gombjára is hatással vannak.

Az MB-D12 vezérlő zárja

A vezérlő zárja (A-⑭ ábra) lezárja az MB-D12 vezérlőit, hogy megakadályozza a véletlenszerű használatot. Mielőtt ezeket a vezérlőket használná függőleges (porté) fényképek készítésénél, oldja ki a zárat a jobb oldalon bemutatott módon.

A vezérlő zárja nem főkapcsoló. Használja a fényképezőgép főkapcsolóját a fényképezőgép be- és kikapcsolásához.



Az elemtartó használata

Az elemtartó csatlakoztatása

Mielőtt csatlakoztatná az elemtartót, bizonyosodjon meg arról, hogy a fényképezőgép kikapcsolt állapotban van és az MB-D12 (A-14 ábra) vezérlő zárja **L** helyzetben van (az ábrák a D800-est mutatják).

- 1 Távolítsa el az érintkező sapkáját (A-1 ábra) az elemtartóról.
- 2 Az MB-D12 érintkezői a fényképezőgép alján találhatóak, ahol azokat egy fedél védi. Távolítsa el az érintkező sapkát, ahogyan az a B-1 ábrán látható és helyezze az érintkező sapka tartójába az MB-D12-en (B-2 ábra).
- 3 Állítsa az MB-D12-et úgy, hogy az MB-D12 csatlakoztató csavarját (C-2 ábra) tartsa összehangolva a fényképezőgép állványmenetével (C-1 ábra) és szorítsa meg a toldaléktárcsát úgy, hogy elfordítja a **LOCK (ZÁR)** nyíl irányába (D ábra). Nincs szükség az elem fényképezőgépről való eltávolítására, mielőtt csatlakoztatná az MB-D12-et. Gyári beállításnál, a fényképezőgépbe helyezett akkumulátor csak akkor kerül használatba, ha az MB-D12 akkumulátora lemerült. A fényképezőgép Egyéni beállítás menüjének (d csoport) **Battery order (Akkumulátor sorrend)** opciója is használható az akkumulátorok használatának sorrendjének megváltoztatásához.

Győződjön meg arról, hogy a fényképezőgép érintkező sapkáját az érintkező sapka tartójába helyezi, és az MB-D12 érintkező sapkáját biztonságos helyen tartja, hogy megelőzze annak elvesztését.

A PB-6D és PK-13 automatikus közgyűrűkre akkor van szükség, ha PB-6 fókuszáló kihuzatot használ az MB-D12-vel.

Az elemtartó eltávolítása

Az MB-D12 eltávolításához, kapcsolja ki a fényképezőgépet és állítsa az MB-D12 vezérlőzárját **L** pozícióba, ezután lazítsa meg a toldalék tárcsát és távolítsa el az MB-D12-et. Győződjön meg róla, hogy visszahelyezte az érintkező sapkát a fényképezőgépre és az MB-D12-re, amikor az elemtartó használaton kívül van.

Elemek behelyezése


Az MB-D12 egy EN-EL15 vagy EN-EL18 lítium-ion akkumulátorral, vagy nyolc darab AA méretű elemmel használható. A (külön beszerezhető) BL-5 akkumulátorfedélre EN-EL18 akkumulátor használata esetén van szükség.


Mielőtt csatlakoztatná az elemeket, bizonyosodjon meg arról, hogy a fényképezőgép kikapcsolt állapotban van és az MB-D12 vezérlő zárja **L** helyzetben van.

Hu

1 Fordítsa el az MB-D12 akkurögzítő zárat  állásba és távolítsa el az akkumulátor tartót (E ábra).

2 Az alábbiak szerint készítse elő az elemeket.

EN-EL15: Illessze össze az akkumulátoron lévő bemélyedéseket az MS-D12EN tartó kiszögelléseibe, illessze bele az akkumulátort úgy, hogy az akkumulátoron lévő () nyíl az akkumulátortartó áramcsatlakozói felé mutasson (F-**1** ábra). Nyomja le az akkumulátort gyengéden és csúsztassa a nyíl irányába addig, ameddig az áram csatlakozói a helyükre nem kattannak (F-**2** ábra).


EN-EL18: Ha a külön megvásárolható BL-5 akkumulátorfedélen lévő akku-kioldó úgy van beállítva, hogy a  nyíl látható, csúsztassa el az akku-kioldót, hogy az eltakarja a nyilat (G-**1** ábra). Helyezze az akkumulátoron található két kiemelkedő részt a BL-5 megfelelő nyílásaiba (G-**2** ábra), majd ellenőrizze, hogy az akku-kioldó elcsúszott és a nyíl láthatóvá vált.

AA elemek: Helyezze a nyolc darab AA méretű elemet az MS-D12 elemtartó rekeszébe a H ábrán látható módon, ellenőrizze, hogy az elemeket megfelelő irányba helyezte be.

3 Illessze be az akkumulátor tartót az MB-D12-be és zárja le az akkufedelet (I ábra). Győződjön meg róla, hogy a tartó teljesen a helyén van, mielőtt elfordítaná a zárat.

4 Kapcsolja be a fényképezőgépet és ellenőrizze az akkumulátor töltöttségét a vezérlőpanelen vagy a keresőben. Ha a fényképezőgép nem kapcsol be, ellenőrizze, hogy az akkumulátor helyesen áll-e.

Az EP-5B tápcsatlakozó

Amikor az EP-5B tápcsatlakozót használja, illessze azt be az MS-D12EN tartóba úgy, hogy a tápcsatlakozón lévő () nyíl az akkumulátor áramcsatlakozói felé mutat. Nyomja le az akkumulátort gyengéden és csúsztassa a nyíl irányába addig, ameddig az áramcsatlakozói a helyükre nem kattannak (J-**1** ábra). Nyissa fel a tartó tápcsatlakozójának fedelét és nyomja keresztül az EP-5B tápkábelét a nyíláson (J-**2** ábra).

Akkumulátor töltöttségi szintje

A fényképezőgép a következő módon jelzi ki a töltöttségi szintet:

EN-EL15/EN-EL18 Akkumulátor

| Funkciókijelző | Kereső | Leírás |
|----------------|--------|--|
| | — | Az akkumulátor teljesen fel van töltve. |
| | — | Az akkumulátor részben lemerült. |
| | | Az akkumulátor töltöttségi szintje alacsony. Álljon készen egy teljesen feltöltött tartalék akkumulátor, vagy készüljön fel az akkumulátor töltéséhez. |
| | | Az akkumulátor lemerült. Töltse fel az akkumulátort, vagy helyezzen be egy másikat. |

AA elemek

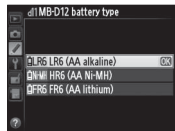
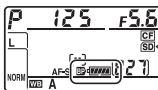
| Funkciókijelző | Kereső | Leírás |
|----------------|--------|--|
| | — | Maradék töltés. |
| | | Elemek töltöttségi szintje alacsony. Álljon készen egy tartalék akkumulátor. |
| | | Az akkumulátor lemerült. Nem lehet exponálni. |

A fényképezőgép Egyéni beállítás menüjének d csoportjában egy opció használható az akkumulátorok használatának sorrendjének megváltoztatásához. Amikor a fényképezőgép az MB-D12-től kapja az energiát, egy **BP** ikon jelenik meg a vezérlőpanelen. Ha a **BP** ikon villog, az akkufedél nincs lezárva. Csukja és zárja le az akkufedelet.

Hogy a fényképezőgép a helyes töltöttségi szintet mutassa amikor AA elemeket használ, válassza az **MB-D12 battery type (MB-D12 akkumulátor típusának)** megfelelő opciót a fényképezőgép Egyéni beállítások menüjében (d csoport). Ha nem a helyes opciót választotta, a fényképezőgép nem az elvárt módon fog működni.

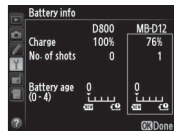
| Beállítás | Akkumulátor típusa |
|------------------------------|--------------------|
| LR6 LR6 (AA alkaline) | AA alkáli (LR6) |
| HR6 (AA Ni-MH) | AA Ni-MH (HR6) |
| FR6 (AA lithium) | AA Lítium (FR6) |

Amikor nem használja az MB-D12-et, távolítsa el az elemeket.



Akkumulátor adatai


Az akkumulátor adatai (az EN-EL18 akkumulátorok kalibrálási adatait is beleértve) a fényképezőgép beállítás menüjében tekinthetők meg (a fényképezőgép akkumulátorának adatai a bal, az MB-D12 adatai a jobb oldalon vannak felsorolva). Csak az akkumulátor töltöttségi szintjének ikonja jelenik meg, ha AA elemeket használ. További részletek a fényképezőgép használati útmutatójában olvashatók.



Megjegyzés: Az ezen az oldalon bemutatott ábrák a D800-hez tartoznak.

Az akkumulátor eltávolítása

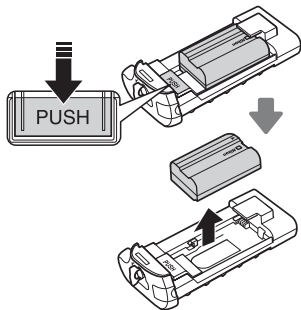
Legyen óvatos, ne ejtse el az elemeket vagy a tartót.

- 1 Fordítsa el az MB-D12 akkurögzítő zárat  állásba, és távolítsa el az akkumulátor tartót (E ábra).
- 2 Távolítsa el az akkumulátort vagy az elemeket a tartóból.

Hu

EN-EL15

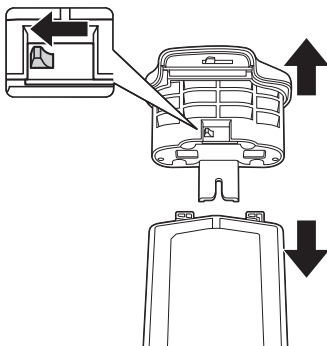
Amíg nyomja a tartó **PUSH (NYOM)** gombját, csúsztassa az akkut a gomb felé. Ezek után eltávolíthatja az akkut a látott módon.



Az EP-5B tápcsatlakozó eltávolításának folyamata ugyanaz, mint az EN-EL15-nek.

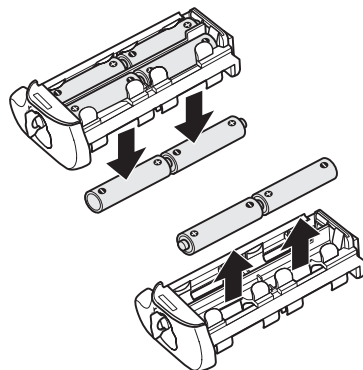
EN-EL18

Csúsztassa az akku-kioldót a nyíl () jelölt irányba, majd vegye le az akkumulátorfedelet.



AA elemek

Távolítsa el az elemeket az ábrán látható módon. Legyen óvatos, ne ejtse el az elemeket mielőtt azokat kivesszi a tartóból.



Műszaki adatok

| | |
|---------------------------------|--|
| Tápellátás | Egy EN-EL15 vagy EN-EL18 lítium-ion akkumulátor, nyolc darab AA méretű LR6 alkáli, HR6 Ni-MH vagy FR6 lítium elem, vagy EH-5b/EH-5a/EH-5 hálózati tápegység (EP-5B tápcsatlakozóval használható) |
| Üzemeltetési hőmérséklet | 0–40 °C |
| Méret (Sz × Ma × Mé) | Kb. 151 × 50 × 81 mm |
| Tömeg | Kb. 365 g az MS-D12EN egységgel és a külön megvásárolható EN-EL15 akkumulátorral Kb. 460 g az MS-D12 egységgel és nyolc darab AA méretű elemmel (külső beszállítótól beszerezhető) Kb. 310 g az MS-D12EN egységgel és a külön megvásárolható EP-5B tápcsatlakozóval Kb. 425 g a külön megvásárolható BL-5 akkumulátorfedéllel és EN-EL18 akkumulátorral Kb. 280 g az MS-D12EN egységgel Kb. 270 g az MS-D12 egységgel |

A műszaki adatok és a konstrukció előzetes tájékoztatás nélkül megváltoztathatóak.

EN-EL15 és EN-EL18 akkumulátorok

Az EN-EL15 és EN-EL18 akkumulátorok teljesítménye 10 °C alatti hőmérsékleten csökken. Bizonyosodjon meg arról, hogy az akkumulátor teljesen fel van töltve és kéznél van meleg tartalék akkumulátor, amivel szükség esetén kicserélheti. A hideg akkumulátorok visszanyerik töltésük egy részét, ha felmelegszenek.

AA elemek

A korlátozott kapacitásuk miatt, AA LR6 alkáli elemeket csak akkor használjon, ha nincs más lehetőség.

Az AA elemek kapacitása függ a készítésük és tárolásuk feltételeitől, és néhány esetben a kapacitásuk rendkívül alacsony; néhány esetben az AA elemek szavatossági idejük lejártá előtt már használhatatlanná válnak. Ne feledje, hogy az AA elemek teljesítménye 20 °C hőmérséklet alatt lecsökkenhet. Használatuk alacsony hőmérsékleten nem javasolt.

Képtovábbítási sebesség

Az EN-EL18 akkumulátor és az AA méretű elemek gyorsabb képtovábbítást támogatnak mint az EN-EL15; azt azonban vegye figyelembe, hogy AA méretű elemek használatakor a képtovábbítási sebesség csökken alacsony hőmérséklet, vagy az elemek alacsony töltöttsége esetén. A képtovábbítási sebességről a fényképezőgép használati útmutatójában talál további információkat.

Multifunkčný Battery Pack MB-D12

Užívateľská príručka

Obsah

| | |
|--|---|
| Bezpečnostné upozornenia..... | 2 |
| Poznámky pre užívateľov v Európe | 2 |
| Upozornenia pri používaní..... | 2 |
| Úvod..... | 3 |
| Battery pack MB-D12 a príslušenstvo | 3 |
| Battery pack MB-D12 a dodané príslušenstvo | 3 |
| Používanie voliteľného konektora sieťového zdroja EH-5a/EH-5b a napájacieho konektora EP-5B..... | 3 |
| Použitie voliteľného krytu priestoru pre batériu BL-5 | 3 |
| Súčasti battery pack-u MB-D12 | 4 |
| Tlačidlo spúšte, multifunkčný volič, príkazové voliče a tlačidlo AF-ON bloku batérií MB-D12 | 4 |
| Ovládacia poistka battery pack-u MB-D12 | 4 |
| Používanie battery pack-u | 5 |
| Pripojenie battery pack-u | 5 |
| Odpojenie battery pack-u | 5 |
| Vkladanie batérií | 6 |
| Vyberanie batérií..... | 8 |
| Technické parametre | 9 |

Bezpečnostné upozornenia

Pred použitím výrobku si dôkladne prečítajte túto príručku, aby ste zabezpečili jeho správne fungovanie. Po prečítaní uložte príručku na miesto, kde ju môžu nájsť všetci, ktorí používajú tento výrobok.

Poznámky pre užívateľov v Európe

POZOR

PRI ZÁMENE BATÉRIE ZA NESPRÁVNY TYP HROZÍ NEBEZPEČENSTVO VÝBUCHU. POUŽITÉ BATÉRIE LIKVIDUJTE PODĽA POKYNOV.

Tento symbol označuje, že výrobok treba odovzdať do separovaného odpadu.



Nasledujúce upozornenie platí len pre používateľov v európskych krajinách:

- Tento výrobok je určený na separovaný zber na vhodnom zbernom mieste. Nevyhadzujte ho do bežného domového odpadu.
- Ďalšie informácie získate od predajcu alebo miestnych úradov zodpovedných za likvidáciu odpadov.

Upozornenia pri používaní

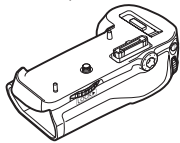
- Battery pack MB-D12 používajte len s kompatibilnými fotoaparátmi.
- Nepoužívajte s batériami a zásobníkmi, ktoré neodporúča táto príručka.
- Keď battery pack MB-D12 nepoužívate, zakryte kontakty krytom, aby ste zabránili elektrickému skratu spôsobenému dotykom kontaktov s kovovými predmetmi.
- Ak je zásobník na batérie vybraný z battery pack-u MB-D12, vyberte batérie alebo uložte zásobník do puzdra na zásobník, aby ste zabránili elektrickému skratu spôsobenému dotykom s inými kovovými predmetmi.
- Pri pripájaní alebo odpájaní battery pack-u MB-D12 od fotoaparátu sa môže kontrolka prístupu na pamäťovú kartu rozsvietiť, ale neznamená to poruchu.
- Ak spozorujete dym alebo nezvyčajný zápach či šum z battery pack-u, okamžite prerušte jeho používanie. Vyberte batérie a vezmite zariadenie na kontrolu k predajcovi alebo do autorizovaného servisu spoločnosti Nikon.
- Battery pack MB-D12 nie je vybavený hlavným vypínačom. Použite hlavný vypínač fotoaparátu na zapnutie alebo vypnutie napájania.

Ďakujeme, že ste si kúpili multifunkčný blok batérií MB-D12, ktorý je možné používať so všetkými jednookými digitálnymi zrkadlovkami Nikon, ktoré ho uvádzajú ako kompatibilné príslušenstvo v príručke k fotoaparátu. V MB-D12 je možné použiť jednu nabíjateľnú batériu EN-EL15 alebo EN-EL18, alebo osem batérií typu AA (alkalických, Ni-MH alebo lítiových), pričom súčasťou je aj náhradné tlačidlo spúšte, tlačidlo **AF-ON**, multifunkčný volič, ako aj hlavné a pomocné príkazové voliče na snímkanie záberov „na výšku“ (portrét). Možnosti ponuky fotoaparátu umožňujú užívateľovi vybrať si, či sa ako prvá použije batéria fotoaparátu, alebo batérie v bloku batérií MB-D12; podrobné informácie nájdete v príručke k fotoaparátu.

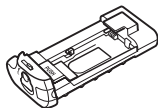
Battery pack MB-D12 a príslušenstvo

Battery pack MB-D12 a dodané príslušenstvo

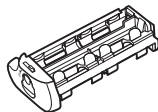
Uistite sa, že nasledujúce časti sú dodané s battery pack-om MB-D12 (batérie nie sú súčasťou dodávky).



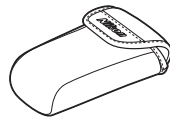
Battery pack
MB-D12



Zásobník MS-D12EN
na batérie EN-EL15



Zásobník MS-D12
na batérie AA



Puzdro na zá-
sobník



Kryt
kontaktov

Zásobník MS-D12EN je vložený do battery pack-u MB-D12 pri expedícii. Ďalšie informácie o vyberaní zásobníka na batérie nájdete v časti „Vkladanie batérií“.

- Užívateľská príručka (táto príručka)
- Záručný list

Používanie voliteľného konektora sieťového zdroja EH-5a/EH-5b a napájacieho konektora EP-5B

Voliteľný konektor sieťového zdroja EH-5a/EH-5b a napájací konektor EP-5B zabezpečujú spoľahlivý zdroj napájania, keď sa fotoaparát používa počas dlhšej doby. Keď chcete použiť sieťový zdroj s battery pack-om MB-D12, vložte EP-5B do zásobníka na batérie MS-D12EN, ako sa uvádza na strane 6 a pripojte EH-5a/EH-5b, ako sa uvádza v dokumentácii k EP-5B.

Použitie voliteľného krytu priestoru pre batériu BL-5

Pri použití batérií EN-EL18 sa vyžaduje kryt priestoru pre batériu BL-5 (k dispozícii samostatne).



Kryt priestoru pre
batériu BL-5

- ① Kryt kontaktov
- ② Držiak na kryt kontaktov fotoaparátu
- ③ Kontakty na napájanie / prenos signálov
- ④ Tlačidlo **AF-ON**
- ⑤ Hlavný príkazový volič
- ⑥ Multifunkčný volič
- ⑦ Krúžok upevňovacej skrutky
- ⑧ Kryt napájacieho konektora na zásobníku na batérie
- ⑨ Kryt priestoru pre batériu
- ⑩ Priestor pre batériu
- ⑪ Poistka krytu priestoru pre batériu
- ⑫ Upevňovacia skrutka
- ⑬ Tlačidlo spúšte
- ⑭ Ovládacia poistka
- ⑮ Pomocný príkazový volič
- ⑯ Závit na pripojenie statívu
- ⑰ Zásobník MS-D12EN na batérie EN-EL15
- ⑱ Napájacie kontakty
- ⑲ Napájacie kontakty (zásobník na batérie MS-D12EN)
- ⑳ Zásobník MS-D12 na batérie AA
- ㉑ Napájacie kontakty (zásobník na batérie MS-D12)
- ㉒ Kryt priestoru pre batériu BL-5 (k dispozícií samostatne)

Tlačidlo spúšte, multifunkčný volič, príkazové voliče a tlačidlo AF-ON bloku batérií MB-D12

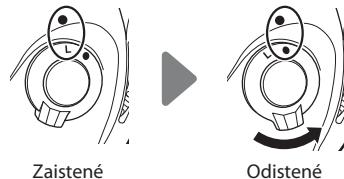
Blok batérií MB-D12 je vybavený tlačidlom spúšte (obrázok A-⑬), multifunkčným voličom (obrázok A-⑥), hlavným príkazovým voličom (obrázok A-⑤), pomocným príkazovým voličom (obrázok A-⑮) a tlačidlom **AF-ON** (obrázok A-④) na snímanie fotografií so zvislou orientáciou („na výšku“). Týmto ovládacími prvkami sa vykonávajú rovnaké funkcie ako so zodpovedajúcimi ovládacími prvkami na fotoaparáte. Ďalšie informácie nájdete uvedené v návode na obsluhu fotoaparátu.

Zmeny vykonané prostredníctvom funkcií **Multi selector center button (stredného tlačidla multifunkčného voliča)**, **Multi selector (multifunkčného voliča)**, **Customize command dials (prispôsobenia príkazových voličov)** a **Assign MB-D12 AF-ON (priradenia MB-D12 AF-ON)** v ponuke vlastných nastavení fotoaparátu (skupina f) sa vzťahujú aj na multifunkčný volič, príkazové voliče a tlačidlo **AF-ON** na MB-D12.

Ovládacia poistka battery pack-u MB-D12

Ovládacia poistka (obrázok A-⑭) blokuje ovládacie prvky na battery pack-u MB-D12, aby sa zabránilo mimovoľnému použitiu. Pred použitím ovládacích prvkov na snímanie fotografií vo vertikálnej orientácii (na výšku) uvoľnite poistku, ako je znázornené vpravo.

Ovládacia poistka nie je hlavným vypínačom. Použite hlavný vypínač fotoaparátu na zapnutie a vypnutie fotoaparátu.



Používanie battery pack-u

Pripojenie battery pack-u

Pred pripojením battery pack-u sa uistite, že fotoaparát je vypnutý, a že ovládacia poistka battery pack-u MB-D12 (obrázok A-14) je v pozícii **L** (na obrázku je fotoaparát D800).

- 1 Odstráňte kryt kontaktov (obrázok A-1) z battery pack-u.
- 2 Kontakty pre battery pack MB-D12 sú na spodku fotoaparátu a sú chránené krytom kontaktov. Odstráňte kryt kontaktov, ako je znázornené na obrázku B-1 a vložte ho do držiaka na kryt kontaktov na battery pack-u MB-D12 (obrázok B-2).
- 3 Nasadte battery pack MB-D12 tak, aby bola upevňovacia skrutka battery pack-u MB-D12 (obrázok C-2) zarovnaná so závitom fotoaparátu na pripojenie statívu (obrázok C-1) a utiahnite krúžok upevňovacej skrutky točením v smere, ako ukazuje šípka **LOCK** (obrázok D). Pred pripojením battery pack-u MB-D12 k fotoaparátu nie je potrebné vyberať batériu z fotoaparátu. Implicitne je nastavené, že batéria vo fotoaparáte sa použije, len ak je batéria v battery pack-u MB-D12 vybitá. Možnosť **Battery order (Poradie batérií)** v ponuke používateľských nastavení fotoaparátu (Skupina d) sa použije na zmenu poradia, v akom sa batérie majú použiť.

Uistite sa, že kryt kontaktov fotoaparátu je v držiaku na kryt kontaktov a kryt kontaktov battery pack-u MB-D12 uložte na bezpečné miesto, aby sa nestratil.

Pri použití zaostrovacieho nadstavca Bellows PB-6 s MB-D12 sa vyžadujú automatické medzikrúžky PB-6D a PK-13.

Odpojenie battery pack-u

Ak chcete odpojiť battery pack MB-D12, vypnite fotoaparát, ovládaciú poistku na battery pack-u nastavte do polohy **L**, potom uvoľnite krúžok upevňovacej skrutky a odpojte battery pack. Ak battery pack nepoužívate, určite nasadte kryt kontaktov na fotoaparát aj na battery pack.

Sk

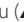


Vkladanie batérií

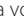

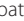
MB-D12 sa môže použiť s jednou nabíjateľnou lítium-iónovou batériou EN-EL15 alebo EN-EL18, alebo s ôsmymi batériami typu AA. Pri použití batérií EN-EL18 sa vyžaduje kryt priestoru pre batériu BL-5 (k dispozícii samostatne).

Pred vloženíím batérií sa uistite, že fotoaparát je vypnutý a ovládacia poistka battery pack-u MB-D12 je v pozícii **L**.

1 Pootočte poistku priestoru batérie MB-D12 do  a vyberte zásobník na batérie (obrázok E).

2 Pripravte batérie, ako je uvedené nižšie.

Batéria EN-EL15: Vložte batériu šípkou () smerom k napájacím kontaktom zásobníka (obrázok F-) , zarovnávajúc drážkovanie na batérii s kolíkmi v lôžku zásobníka MS-D12EN. Zľahka potlačte batériu smerom dolu a zasuňte v smere šípky, kým napájacie kontakty nezapadnú na miesto (obrázok F-) .




Batéria EN-EL18: Ak je páčka na uvoľnenie batérie na voliteľnom kryte priestoru pre batériu BL-5 v polohe, pri ktorej je viditeľná šípka , páčku na uvoľnenie batérie posuňte tak, aby sa táto šípka zakryla (Obrázok G-) . Vložte dva výstupky na batérii do zodpovedajúcich štrbín na BL-5 (Obrázok G-) a uistite sa, že páčka na uvoľnenie batérie sa posunula bokom, a to tak, že sa odkryla šípka.

Batérie AA: Umiestnite osem batérií typu AA do držiaka batérií MS-D12 tak, ako je to znázornené na obrázku H, pričom sa uistite, že batérie majú správnu orientáciu.

3 Vložte zásobník na batérie do battery pack-u MB-D12 a zaistite kryt priestoru na batérie (obrázok I). Uistite sa, že zásobník je úplne zasunutý, kým pootočíte poistku späť.

4 Zapnite fotoaparát a skontrolujte úroveň nabitia batérie na kontrolnom paneli, alebo v hľadáči. Ak sa fotoaparát nezapne, skontrolujte, či je batéria správne vložená.

Napájací konektor EP-5B

Ak chcete použiť napájací konektor EP-5B, vložte ho do zásobníka MS-D12EN tak, že šípka () na konektore smeruje k napájacím kontaktom batérie. Zľahka potlačte konektor smerom dolu a zasuňte ho v smere šípky, kým napájacie kontakty nezapadnú na miesto (obrázok J-) . Otvorte kryt napájacieho konektora na zásobníku a vyvedte napájací kábel EP-5B cez otvor (obrázok J-) .

Úroveň nabitia batérie

Fotoaparát zobrazuje úroveň nabitia batérie takto:

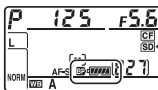
Batéria EN-EL15/EN-EL18

| Kontrolný panel | Hľadáčik | Popis |
|-----------------|-------------|--|
| | — | Batéria je úplne nabitá. |
| | — | Batéria je čiastočne vybitá. |
| | | |
| | | |
| | | Batéria takmer vybitá. Pripravte úplne nabitú náhradnú batériu alebo batériu nabite. |
| (bliká) | (bliká) | Batéria je vybitá. Nabite batériu, alebo vložte nabitú batériu. |

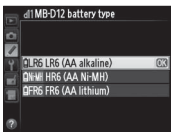
Batérie AA

| Kontrolný panel | Hľadáčik | Popis |
|-----------------|-------------|--|
| | — | Zostávajúce nabitie batérie. |
| | | Batérie takmer vybité. Pripravte náhradné batérie. |
| (bliká) | (bliká) | Batérie vybité. Spúšť je neaktívna. |

Možnosť v Skupine d v ponuke používateľských nastavení fotoaparátu možno použiť na zmenu poradia, v akom sa batérie budú používať. Ak je fotoaparát napájaný z battery pack-u MB-D12, na kontrolnom paneli sa zobrazí ikona **BP**. Ak ikona **BP** bliká, kryt priestoru pre batériu nie je uzavretý. Zatvorte a zaistite kryt priestoru pre batériu.



Ak sa pri použití batérie AA chcete uistiť, že fotoaparát ukazuje správnu úroveň nabitia batérií, zvolte príslušnú možnosť pre **MB-D12 battery type (MB-D12 typ batérie)** v ponuke používateľských nastavení fotoaparátu (Skupina d). Ak nevyberiete správnu možnosť, fotoaparát nemusí vykonať úkon správne.

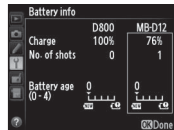


| Možnosť | Typ batérie |
|--------------------------|---------------------------------|
| LR6 (AA alkaline) | Alkalické batérie typu AA (LR6) |
| HR6 (AA Ni-MH) | Ni-MH batérie typu AA (HR6) |
| FR6 (AA lithium) | Lítiové batérie typu AA (FR6) |

Ak sa battery pack MB-D12 nepoužíva, vyberte batérie.

Informácie o batérii

Informácie o batériách (vrátane informácií o kalibrácii batérií EN-EL18) sa nachádzajú v ponuke nastavenia fotoaparátu (batéria fotoaparátu je uvedená vľavo, MB-D12 vpravo). Ikona úrovne nabitia batérie sa zobrazuje len vtedy, keď sa použijú batérie typu AA. Podrobné informácie nájdete v príručke k fotoaparátu.



Sk

Poznámka: Obrázky na tejto strane sú z príručky k D800.

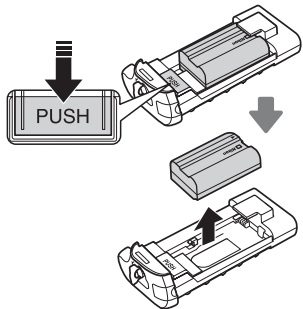
Vyberanie batérií

Dajte pozor, aby vám batérie alebo zásobník nespadli.

- 1 Pootočte poistku priestoru batérie MB-D12 do ☞ a vyberte zásobník na batérie (obrázok E).
- 2 Vyberte batériu alebo batérie zo zásobníka.

Batéria EN-EL15

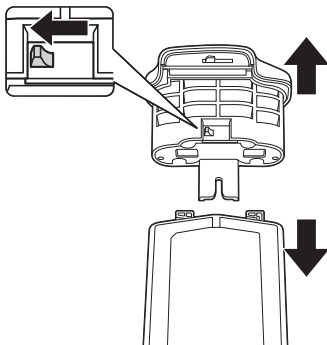
Podržte tlačidlo zásobníka **PUSH** stlačené a posuňte batériu smerom k tlačidlu. Batériu potom možno vybrať tak, ako je znázornené.



Postup výberu napájacieho konektora EP-5B je ten istý ako u batérie EN-EL15.

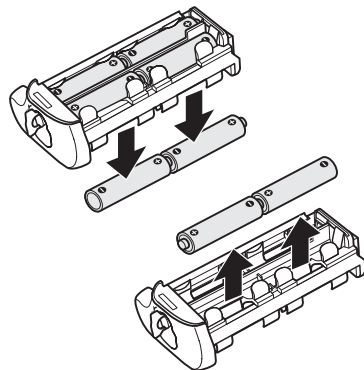
Batéria EN-EL18

Páčku na uvoľnenie batérie posuňte v smere šípky (◁) a odstráňte kryt priestoru pre batériu.



Batérie AA

Vyberte batérie, ako je znázornené. Dajte pozor, aby vám batérie pri výbere zo zásobníka nevypadli.



Technické parametre

| | |
|----------------------------|--|
| Zdroj energie | Jedna nabíjateľná lítium-iónová batéria EN-EL15 alebo EN-EL18, osem alkalických batérií LR6, Ni-MH batérií HR6 alebo lítiových batérií FR6 typu AA, alebo sieťový zdroj EH-5b/EH-5a/EH-5 (vyžaduje sa napájací konektor EP-5B) |
| Prevádzková teplota | 0–40 °C |
| Rozmery (Š × V × H) | Približne 151 × 50 × 81 mm |
| Hmotnosť | Približne 365 g s MS-D12EN a voliteľnou batériou EN-EL15 Približne 460 g s MS-D12 a ôsmymi batériami typu AA (k dispozícii samostatne od podporných dodávateľov) Približne 310 g s MS-D12EN a voliteľným napájacím konektorom EP-5B Približne 425 g s voliteľným krytom BL-5 a batériou EN-EL18 Približne 280 g s MS-D12EN Približne 270 g s MS-D12 |

Technické parametre a konštrukcia sa môžu zmeniť bez predchádzajúceho upozornenia.

Batérie EN-EL15 a EN-EL18

Výkon batérií EN-EL15 a EN-EL18 klesá pri teplotách približne pod 10 °C. Uistite sa, že batéria je plne nabitá a majte pripravenú teplú náhradnú batériu na výmenu, ak by bolo potrebné. Ak sa studené batérie zohrejú, získajú späť časť náboja.

Batérie AA

Alkalické batérie LR6 typu AA používajte vzhľadom na ich obmedzenú kapacitu, len keď nemáte inú alternatívu.

Kapacita batérií typu AA je rôzna v závislosti od typu a podmienok úschovy a môže byť niekedy extrémne nízka; v niektorých prípadoch môžu byť batérie nefunkčné už pred dátumom expirácie. Pamätajte, že kapacita batérií AA sa môže znížiť pri teplotách pod 20 °C. Pri nízkych teplotách sa ich používanie neodporúča.

Rýchlosť snímania

Batérie typu EN-EL18 a AA podporujú vyššie rýchlosti snímania ako typ EN-EL15; vezmite však do úvahy, že v prípade batérií typu AA rýchlosť snímania klesne pri nízkych teplotách, alebo keď sú batérie takmer vybité. Ďalšie informácie o rýchlostiach snímania nájdete uvedené v návode na obsluhu fotoaparátu.

MB-D12 Zavoj zelo zmogljivih baterij

Navodila za uporabo

Kazalo vsebine

| | |
|--|---|
| Varnostni ukrepi..... | 2 |
| Obvestilo za stranke v Evropi..... | 2 |
| Varnostni ukrepi za uporabo..... | 2 |
| Uvod..... | 3 |
| MB-D12 in dodatna oprema..... | 3 |
| MB-D12 in priložena dodatna oprema..... | 3 |
| Uporaba dodatnega električnega vmesnika EH-5a/ EH-5b in električnega priključka EP-5B..... | 3 |
| Uporaba dodatnega pokrova predalčka za baterije BL-5..... | 3 |
| Deli MB-D12..... | 4 |
| MB-D12 - gumb za sprostitvev sprožilca, večnamenski izbirnik, gumbi za ukaze, gumb AF-ON..... | 4 |
| MB-D12 - kontrolni zaklop..... | 4 |
| Uporaba baterijskega napajalnika..... | 5 |
| Priključitev baterijskega napajalnika..... | 5 |
| Odstranjevanje baterijskega napajalnika..... | 5 |
| Vstavljanje baterij..... | 6 |
| Odstranjevanje baterij..... | 8 |
| Tehnični podatki..... | 9 |

Varnostni ukrepi

Pravilno uporabo zagotovite tako, da pred uporabo izdelka temeljito preberete ta navodila. Ko jih preberete, poskrbite, da bodo shranjena na mestu, kjer bodo dostopna vsem, ki uporabljajo izdelek.

Obvestila za stranke v Evropi

PREVIDNO

ČE BATERIJO ZAMENJATE Z NADOMESTNO BATERIJO NAPAČNEGA TIPA, OBSTAJA NEVARNOST EKSPLOZIJE. ODSLUŽENE BATERIJE ODSTRANITE V SKLADU Z NAVODILI.

Simbol označuje, da je treba izdelek odstraniti ločeno.

Spodnje zahteve veljajo le za evropske uporabnike:

- Izdelek je določen za ločeno zbiranje in odstranjevanje na ustreznem zbirališču. Ne odstranjujte ga kot gospodinjski odpadki.
- Več informacij dobite pri prodajalcu ali lokalnih oblasteh, zadolženih za ravnanje z odpadki.



Varnostni ukrepi za uporabo

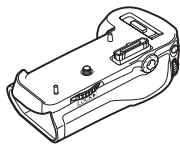
- MB-D12 je za uporabo samo z združljivimi fotoaparati.
- Ne uporabljajte z baterijami in držali za baterije, ki niso priporočena v teh navodilih.
- Ko MB-D12 ne uporabljate, pokrijte kontakte s pokrovčkom, da preprečite električni kratki stik, do katerega bi prišlo, če bi se kovinski predmeti dotaknili električnih priključkov.
- Ko z MB-D12 odstranite držalo za baterije, odstranite baterije ali dajte držalo ali pokrov v torbico za držalo, da preprečite električni kratki stik, do katerega bi prišlo ob stiku z drugimi kovinskimi predmeti.
- Ko MB-D12 priključite ali odstranite s fotoaparata, lahko zasveti lučka za dostop do pomnilniške kartice, kar ni okvara.
- Če opazite dim ali nenavaden vonj ali zvok iz baterijskega napajalnika, takoj prenehajte z uporabo. Ko odstranite baterije, napravo nesite v pregled prodajalcu ali serviserju, pooblaščenemu s strani Nikonu.
- MB-D12 nima stikala za vklop/izklop. Za vklop/izklop napajanja uporabite stikalo fotoaparata.

Hvala, da ste kupili zavojev zelo zmogljivih baterij MB-D12 za uporabo z Nikonovimi zrcalno-refleksnimi digitalnimi fotoaparati, ki imajo v navodilih za uporabo fotoaparata MB-D12 naveden kot združljivo dodatno opremo. MB-D12 uporablja eno baterijo za polnjenje EN-EL15 ali EN-EL18 ali osem baterij AA (alkalne, Ni-MH ali litijeve) in vključuje alternativni gumb za sprostitve sprožilca, gumb **AF-ON**, večnamenski izbirnik ter gumb za glavne ukaze in gumb za podukaze za fotografiranje v pokončnem (portretnem) položaju. Možnosti menija fotoaparata uporabniku omogočajo, da izbere, ali naj se najprej uporablja baterija fotoaparata ali baterije v MB-D12. Za podrobnosti glejte navodila za uporabo fotoaparata.

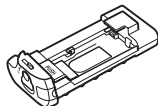
MB-D12 in dodatna oprema

MB-D12 in priložena dodatna oprema

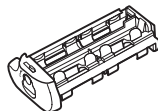
Prepričajte se, da ste z MB-D12 dobili naslednje predmete (baterije so na prodaj ločeno).



MB-D12



MS-D12EN držalo za baterije EN-EL15



MS-D12 držalo za baterije AA



Torbica za držalo



Pokrovček za kontakte

MS-D12EN se vstavi v MB-D12 ob dobavi. Za informacije o držalu za baterije glejte »Vstavljanje baterij«.

- Navodila za uporabo (ta navodila)
- Garancija

Uporaba dodatnega električnega vmesnika EH-5a/EH-5b in električnega priključka EP-5B

Dodatni električni vmesnik EH-5a/EH-5b in električni priključek EP-5B nudita zanesljiv vir napajanja, ko fotoaparati uporabljate dlje časa. Če želite z MB-D12 uporabljati električni vmesnik, vstavite EP-5B v držalo za baterije MS-D12EN, kot je opisano na strani 6, nato povežite EH-5a/EH-5b, kot je opisano v dokumentaciji, priloženi EP-5B.

Uporaba dodatnega pokrova predalčka za baterije BL-5

Pri uporabi baterij EN-EL18 uporabljajte pokrov predalčka za baterije BL-5 (na voljo posebej).



Pokrov predalčka za baterije BL-5

- ① Pokrovček za kontakte
- ② Držalo za pokrovček kontaktov fotoaparata
- ③ Kontakti napajanja/signala
- ④ Gumb **AF-ON**
- ⑤ Gumb za glavne ukaze
- ⑥ Večnamenski izbirnik
- ⑦ Kolesce nastavka
- ⑧ Pokrovček električnega priključka za držalo
- ⑨ Pokrov predalčka za baterijo
- ⑩ Predalček za baterijo
- ⑪ Zatič predalčka za baterije
- ⑫ Namestitveni vijak
- ⑬ Gumb za sprostitvev sprožilca
- ⑭ Kontrolni zaklep
- ⑮ Gumb za podukaze
- ⑯ Nastavek za trinožnik
- ⑰ MS-D12EN držalo za baterije EN-EL15
- ⑱ Električni priključki
(držalo za baterije MS-D12EN)
- ⑳ MS-D12 držalo za baterije AA
- ㉑ Električni priključki
(držalo za baterije MS-D12)
- ㉒ Pokrov predalčka za baterije BL-5 (na voljo posebej)

MB-D12 - gumb za sprostitvev sprožilca, večnamenski izbirnik, gumbi za ukaze, gumb AF-ON

MB-D12 ima gumb za sprostitvev sprožilca (slika A-⑬), večnamenski izbirnik (slika A-⑥), gumb za glavne ukaze (slika A-⑤), gumb za podukaze (slika A-⑮) in gumb **AF-ON** (slika A-④) za uporabo pri fotografiranju v pokončnem (portretne) položaju. Ti gumbi imajo enake funkcije kot ustrezni gumbi na fotoaparatu. Za več informacij glejte navodila za uporabo fotoaparata.

Spremembe nastavitvev **Multi selector center button (Središnji gumb večnamenskega izbirnika)**, **Multi selector (Večnamenski izbirnik)**, **Customize command dials (Nastavitve gumbov za ukaze)** in **Assign MB-D12 AF-ON (Funkcija gumba AF-ON na MB-D12)** v meniju fotoaparata za nastavitve po meri (skupina f) veljajo tudi za večnamenski izbirnik, gumbe za ukaze in gumb **AF-ON** na MB-D12.

MB-D12 - kontrolni zaklep

Kontrolni zaklep (slika A-⑭) zaklene krmilne elemente na MB-D12, da prepreči nenameravano uporabo. Preden uporabite te krmilne elemente za fotografiranje v pokončnem (portretne) položaju, sprostite zaklep, kot je prikazano na desni.

Kontrolni zaklep ni stikalo za vklop/izklop. Za vklop/izklop napajanja uporabite stikalo fotoaparata.



Zaklenjeno

Odklenjeno

Uporaba baterijskega napajalnika

Priključitev baterijskega napajalnika

Preden priključite baterijski napajalnik, se prepričajte, da je fotoaparati izklopljen in da je kontrolni zaklep MB-D12 (slika A-14) v položaju **L** (na ilustraciji je D800).

- 1 Odstranite pokrovček za kontakte (slika A-1) z baterijskega napajalnika.
- 2 Kontakti za MB-D12 so na dnu fotoaparata, kjer jih ščiti pokrovček za kontakte. Odstranite pokrovček za kontakte, kot je prikazano na sliki B-1, in ga dajte v držalo pokrovčka za kontakte na MB-D12 (slika B-2).
- 3 Umestite MB-D12, pri čemer držite namestitveni vijak MB-D12 (slika C-2) poravnani z vtičnico trinožnika fotoaparata (slika C-1) ter privijte kolesce nastavka tako, da ga zavrtite v smeri, ki kaže puščica **LOCK** (slika D). Preden povežete MB-D12, ni treba odstraniti baterije iz fotoaparata. Pri privzetih nastavitvah bo baterija, vstavljena v fotoaparati, uporabljena šele, ko se baterija v MB-D12 izprazni. Možnost **Battery order (Vrstni red baterij)** v meniju Custom Settings (Nastavitve po meri) (skupina d) lahko uporabite, da spremenite vrstni red uporabe baterij.

Prepričajte se, da je pokrovček za kontakte fotoaparata v držalu za pokrovček za kontakte, in skrbite, da je pokrovček za kontakte MB-D12 varno spravljen, da se ne izgubi.

Samodejna podaljška objektiv PB-6D in PK-13 sta potrebna za uporabo izostritvenega priključka PB-6 z MB-D12.


Odstranjevanje baterijskega napajalnika

Če želite odstraniti MB-D12, izklopite fotoaparati in nastavite kontrolni zaklep na MB-D12 na **L**, nato zrahljajte kolesce nastavka in odstranite MB-D12. Ko baterijskega napajalnika ne uporabljate, obvezno pokrov za kontakte znova namestite na fotoaparati in pokrovček za kontakte na MB-D12.

Vstavljanje baterij

MB-D12 lahko uporabljate z eno litij-ionsko baterijo za polnjenje EN-EL15 ali EN-EL18 ali z osmimi baterijami AA. Pri uporabi baterije EN-EL18 uporabljajte pokrov predalčka za baterije BL-5 (na voljo posebej).

Preden vstavite baterije, se prepričajte, da je fotoaparatus izklopljen in da je kontrolni zaklep MB-D12 v položaju **L**.

- 1 Obrnite zatič predalčka za baterije MB-D12 na  in odstranite držalo za baterije (slika E).
- 2 Pripravite baterije tako, kot je opisano v nadaljevanju.

EN-EL15: Poravnajte vdolbine na bateriji z izbočenimi deli na držalu MS-D12EN, vstavite baterijo s puščico (▲) na bateriji v smeri električnih priključkov držala za baterije (slika F-❶). Pritisnite baterijo narahlo navzdol in jo potisnite v smeri puščice, da se električni priključki staknejo (slika F-❷).

EN-EL18: Če je gumb za sprostitve baterije na dodatnem pokrovu predalčka za baterije BL-5 usmerjen tako, da je vidna puščica , gumb za sprostitve baterije premaknite tako, da pokrije puščico (slika G-❶). Oba izbočena dela baterije potisnite v ustrezni reži na BL-5 (slika G-❷) in se prepričajte, da se je gumb za sprostitve baterije pomaknil v stran ter razkril puščico.

Baterije AA: Vstavite osem baterij AA v držalo za baterije MS-D12, kot je prikazano na sliki H, in poskrbite, da bodo baterije pravilno obrnjene.

- 3 Vstavite držalo za baterije v MB-D12 in zaklenite pokrov predalčka za baterije (slika I). Prepričajte se, da je držalo popolnoma vstavljeno, preden obrnete zatič.
- 4 Vklonite fotoaparatus in preverite napolnjenost baterije na nadzorni plošči ali v iskalu. Če se fotoaparatus ne vklopi, se prepričajte, da je baterija pravilno vstavljena.

Električni priključek EP-5B

Ko uporabljate električni priključek EP-5B, ga vstavite v držalo MS-D12EN s puščico (▲) na priključku v smeri električnih priključkov baterije. Pritisnite priključek narahlo navzdol in ga potisnite v smeri puščice, da se električni priključki staknejo (slika J-❶). Odprite pokrovček električnega priključka za držalo in potisnite napajalni kabel EP-5B skozi odprtino (slika J-❷).

Stanje baterije

Fotoaparati prikazuje stanje baterije tako:

Baterija EN-EL15/EN-EL18

| Nadzorna plošča | Iskalo | Opis |
|-----------------|--------|---|
| | — | Baterija je polna. |
| | — | Baterija je delno izpraznjena. |
| | | Baterija je skoraj prazna. Pripravite nadomestno polno baterijo ali napolnite baterijo. |
| | | Baterija je prazna. Napolnite ali zamenjajte baterijo. |

Baterije AA

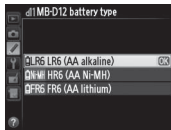
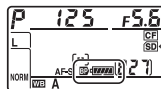
| Nadzorna plošča | Iskalo | Opis |
|-----------------|--------|--|
| | — | Preostala napolnjenost. |
| | | Baterije so skoraj prazne. Pripravite rezervne baterije. |
| | | Baterije so prazne. Sprostitev sprožilca je onemogočena. |

Možnost v skupini d v meniju Custom Settings (Nastavitve po meri) lahko uporabite, da spremenite vrstni red uporabe baterij. Ko fotoaparati črpa napajanje iz MB-D12, je na nadzorni plošči prikazana ikona **BP**. Če ikona **BP** utripa, pokrov predalčka za baterijo ni zaklenjen. Zaprite in zaklenite pokrov predalčka za baterije.

Da bo fotoaparati prikazoval pravilno raven napolnjenosti baterije ob uporabi baterij AA, izberite ustrezno možnost za **MB-D12 battery type (Vrsto baterij za MB-D12)** v meniju Custom Settings (Nastavitve po meri) fotoaparata (skupina d). Če ne izberete pravilne možnosti, fotoaparati morda ne bo deloval po pričakovanjih.

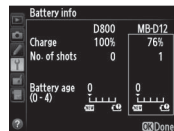
| Možnost | Vrsta baterije |
|-------------------|-------------------|
| LR6 (AA alkaline) | AA alkalne (LR6) |
| HR6 (AA Ni-MH) | AA Ni-MH (HR6) |
| FR6 (AA lithium) | AA litijeve (FR6) |

Baterije odstranite, ko MB-D12 ni v uporabi.



Podatki o bateriji


Podatke o bateriji (vključno s podatki o umerjanju za baterije EN-EL18) si lahko ogledate v nastavitvenem meniju fotoaparata (baterija fotoaparata je navedena na levi, MB-D12 na desni). Ko uporabljate baterije AA, je prikazana samo ikona napolnjenosti baterij. Za podrobnosti si oglejte priročnik za uporabo fotoaparata.



Opomba: Ilustracije na tej strani so za D800.

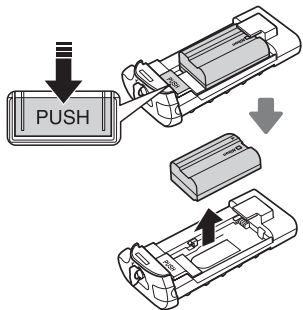
Odstranjevanje baterij

Pazite, da vam baterije ali držalo ne padejo.

- 1 Obrnite zatič predalčka za baterije MB-D12 na  in odstranite držalo za baterije (slika E).
- 2 Odstranite baterijo ali baterije iz držala.

EN-EL15

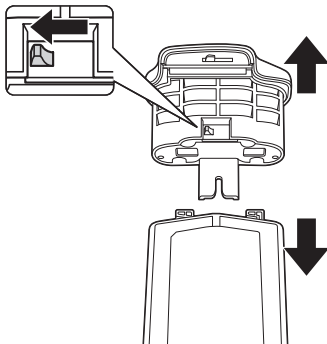
Medtem ko držite gumb **PUSH** na držalu, potisnite baterijo v smeri gumba. Baterijo nato lahko odstranite, kot je prikazano.



Postopek za odstranjevanje električnega priključka EP-5B je enak kot za EN-EL15.

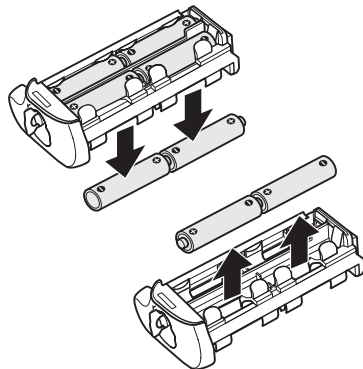
EN-EL18

Gumb za sprostitev baterije potisnite v smeri, ki jo nakazuje puščica (), in odstranite pokrov predalčka za baterije.



Baterije AA

Odstranite baterije, kot je prikazano. Pazite, da vam baterije ne padejo, ko jih odstranjujete iz držala.



Tehnični podatki

| | |
|------------------------------|---|
| Vir napajanja | Ena litij-ionska baterija za polnjenje EN-EL15 ali EN-EL18, osem alkalnih baterij LR6, Ni-MH baterij HR6 ali litijevih AA baterij FR6, ali električni vmesnik EH-5b/EH-5a/EH-5 (zahteva električni priključek EP-5B) |
| Temperatura delovanja | 0–40 °C |
| Mere (Š × V × G) | Pribl. 151 × 50 × 81 mm |
| Teža | Pribl. 365 g z MS-D12EN in dodatno baterijo EN-EL15 Pribl. 460 g z MS-D12 in osmimi baterijami AA (na voljo posebej pri drugih proizvajalcih) Pribl. 310 g z MS-D12EN in dodatnim električnim priključkom EP-5B Pribl. 425 g z dodatnim BL-5 in baterijo EN-EL18 Pribl. 280 g z MS-D12EN Pribl. 270 g z MS-D12 |

Tehnični podatki in oblikovanje se lahko spremenijo brez predhodnega obvestila.

Baterije EN-EL15 in EN-EL18

Delovanje baterij EN-EL15 in EN-EL18 se poslabša pri temperaturah pod približno 10 °C. Poskrbite, da bo baterija povsem napolnjena, in imejte pri roki toplo rezervno baterijo za zamenjavo po potrebi. Hladnim baterijam se povrne nekaj napoljenosti, ko se segrejejo.

Baterije AA

Zaradi omejene zmogljivosti alkalne baterije AA LR6 uporabljajte samo, ko ni drugih alternativ.

Zmogljivost baterij AA se razlikuje glede na izdelavo in pogoje hranjenja in je v nekaterih primerih lahko izjemno nizka. Včasih lahko baterije AA nehajo delati še pred rokom izteka uporabnosti. Upoštevajte, da zmogljivost baterij AA lahko pade pri temperaturah pod 20 °C. Pri nizkih temperaturah ne priporočamo uporabe.

Hitrost menjavanja sličic

Baterije EN-EL18 in AA podpirajo višje hitrosti menjavanja sličic v primerjavi z EN-EL15, vendar pa ne pozabite, da se pri baterijah AA hitrost menjavanja sličic zniža pri nizkih temperaturah ali če so baterije skoraj prazne. Za več informacij o hitrostih menjavanja sličic glejte navodila za uporabo fotoaparata.

MB-D12 Mitme toiteallikaga akukomplekt

Kasutusjuhend

Sisukord

| | |
|---|---|
| Ettevaatusabinõud | 2 |
| Teade Euroopa klientidele | 2 |
| Kasutuse ettevaatusabinõud | 2 |
| Sissejuhatus | 3 |
| MB-D12 ja tarvikud | 3 |
| MB-D12 ja kaasasolevad tarvikud | 3 |
| Valikulise EH-5a/EH-5b vahelduvvooluadapteri ja EP-5B toitepistmiku kasutamine | 3 |
| Valikulise akupesaga katte BL-5 kasutamine | 3 |
| MB-D12 osad | 4 |
| MB-D12 päästik, mitmikvalija, käsivaliku nupud ja AF-ON nupp | 4 |
| MB-D12 nuppude lukk | 4 |
| Akukomplekti kasutamine | 5 |
| Akukomplekti kinnitamine | 5 |
| Akukomplekti eemaldamine | 5 |
| Akude paigaldamine | 6 |
| Akude eemaldamine | 8 |
| Tehnilised andmed | 9 |

Ettevaatusabinõud

Õige kasutuse tagamiseks lugege antud juhend enne seadme kasutamist hoolikalt läbi. Pärast lugemist hoidke seda kõikide toote kasutajate jaoks alati käepärast.

Teated Euroopa klientidele

HOIATUS

AKU ASENDAMISEL EBAÕIGE TÜÜBIGA ESINEB PLAHVATUSOHT. KASUTATUD AKUD TULEB LIKVIDEERIDA VASTAVALT JUHISTELE.

Et

See sümbol näitab, et antud toodet tuleb eraldi koguda.

Alljärgnev kehtib üksnes Euroopa riikide kasutajatele:

- Antud toodet tuleb utiliseerida selleks ettenähtud kogumispunktides. Ärge visake majapidamisjätmete hulka.
- Lisainfo saamiseks võtke ühendust müüja või vastava kohaliku ametiasutusega, kes vastutab prügimajanduse eest.



Kasutuse ettevaatusabinõud

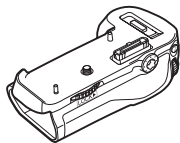
- MB-D12 on mõeldud kasutamiseks ainult ühilduvate kaameratega.
- Ärge kasutage koos akude või akuhoidikutega, mida siin juhendis ei mainita.
- Vältimaks lühise tekkimist metalleseme puutumisel vastu klemme, vahetage kontakti kate, kui MB-D12 ei ole kasutuses.
- Kui akuhoidik on MB-D12-st eemaldatud, eemaldage akud või asetage hoidik või kate hoidiku karpi, et vältida lühise tekkimist teiste metallesemetega kokkupuutumisel.
- Mälukaardi juurdepääsu tuli võib MB-D12 kinnitamise või eemaldamise ajal süttida, tegu ei ole veaga.
- Kui märkate akukomplektist tulevat suitsu, ebatavalist lõhna või heli, lõpetage koheselt kasutamine. Pärast akude eemaldamist seadmest viige see müüjale või Nikoni ametliku esindaja juurde kontrolli.
- MB-D12 ei ole toitelülitiga varustatud. Kasutage toite sisse- ja väljalülitamiseks kaamera toitelüliti.

Täname teid, et ostsite MB-D12 mitme toiteallikaga akukomplekti kasutamiseks Nikoni ühe objektiiviga digitaalsete peegelkaamera-tega, mille kasutusjuhendites on MB-D12 ühilduvate tarvikute hulka loetud. MB-D12 kasutab ühte EN-EL15 või EN-EL18 akut või kaheksat AA-patareid (leelis-, Ni-MH või liitium-) ning on varustatud alternatiivse päästiku, **AF-ON** (automaatse teravustamise sisselülitamise) nupu, mitmikvalija ning põhi- ja alamkäsuvalliku nupuga püstpaigalduses (portree) piltide tegemiseks. Kaamera menüü valikud lubavad kasutajal valida, kas esimesena kasutatakse kaamera akut või akusid MB-D12-s; täpselt vt kaamera juhendist.

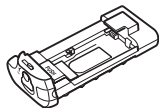
MB-D12 ja tarvikud

MB-D12 ja kaasolevad tarvikud

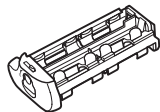
Kontrollige, et järgmised esemed on MB-D12-ga kaasas (akusid müüakse eraldi).



MB-D12



MS-D12EN hoidik
EN-EL15 akude jaoks



MS-D12 hoidik AA
akude jaoks



Hoidiku karp



Kontakti
kate

MS-D12EN on saatmise ajal paigaldatud MB-D12 sisse. Akuhoidiku eemaldamise kohta vt „Akude paigaldamine“.

- Kasutusjuhend (antud juhend)
- Garantii

Valikulise EH-5a/EH-5b vahelduvvooluadapteri ja EP-5B toitepistmiku kasutamine

Valikuline EH-5a/EH-5b vahelduvvooluadapter ja EP-5B toitepistmik kindlustavad töökindla toiteallika olemasolu kaamera pikaajalisel kasutamisel. Vahelduvvooluadapteri kasutamiseks MB-D12-ga sisestage EP-5B MS-D12EN akuhoidikusse nagu kirjeldatud lk 6 ning seejärel ühendage EH-5a/EH-5b nagu kirjeldatud EP-5B-ga kaasas olevas dokumentatsioonis.

Valikulise akupesa katte BL-5 kasutamine

Akupesa kate BL-5 (saadaval eraldi) on vajalik EN-EL18 akude kasutamisel.



Akupesa kate BL-5

- ① Kontakti kate
- ② Kaamera kontakti katte hoidik
- ③ Toite/signaali kontaktid
- ④ **AF-ON** nupp
- ⑤ Peamine käsivaliku nupp
- ⑥ Mitmikvalija
- ⑦ Kinnitusratas
- ⑧ Hoidiku toiteühenduse kate
- ⑨ Akupesa kate
- ⑩ Akupesa
- ⑪ Akupesa lukk
- ⑫ Kinnituskruvi
- ⑬ Päästik
- ⑭ Nuppude lukk
- ⑮ Alamkäsivaliku nupp
- ⑯ Statiivi pesa
- ⑰ MS-D12EN hoidik EN-EL15 akude jaoks
- ⑱ Toiteklennid
- ⑲ Toiteklennid (MS-D12EN akuhoidik)
- ⑳ MS-D12 hoidik AA akude jaoks
- ㉑ Toiteklennid (MS-D12 akuhoidik)
- ㉒ Akupesa kate BL-5 (saadaval eraldi)

MB-D12 päästik, mitmikvalija, käsivaliku nupud ja AF-ON nupp

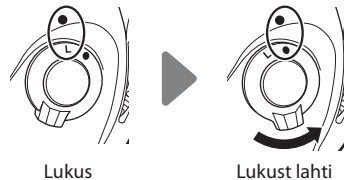
MB-D12 on varustatud päästikuga (joonis A-⑬), mitmikvalijaga (joonis A-⑥), peamise käsivaliku nupuga (joonis A-⑤), alamkäsivaliku nupuga (joonis A-⑮) ja **AF-ON** nupuga (joonis A-④) pildistamiseks vertikaalses paigutuses (püstipaigutus või portree). Need nupud täidavad samu funktsioone kaamera vastavate nuppudega. Täpsemalt vt kaamera juhendist.

Muudatused kaamera kohandatud sätete menüü (grupp f) suvandites **Multi selector center button (mitmikvalija kesknupp)**, **Multi selector (mitmikvalija)**, **Customize command dials (käsivaliku nuppude kohandamine)** ning **Assign MB-D12 AF-ON (MB-D12 AF-ON (automaatse teravustamise sisselülitamise) määramine)** rakenduvad samuti MB-D12 mitmikvalijale, käsivaliku nuppudele ja **AF-ON** nupule.

MB-D12 nuppude lukk

Nuppude lukk (joonis A-⑭) lukustab MB-D12 nupud, et vältida soovimatut kasutamist. Enne nende nuppude kasutamist pildistamiseks vertikaalses paigutuses (portree), vabastage lukk nagu näidatud paremal.

Nuppude lukk ei ole toitelüliti. Kasutage kaamera sisse ja välja lülitamiseks kaamera toitelüliti.



Akukomplekti kasutamine

Akukomplekti kinnitamine

Enne akukomplekti kinnitamist kontrollige, et kaamera on välja lülitatud ja MB-D12 nuppude lukk (joonis A-④) on asendis **L** (illustratsioonidel on kujutatud D800).

- 1 Eemaldage akukomplektilt kontakti kate (joonis A-①).
- 2 MB-D12 kontaktid on kaamera põhjas, kus neid kaitseb kontakti kate. Eemaldage kontakti kate nagu näidatud joonisel B-① ja asetage kontakti katte hoidik MB-D12-le (joonis B-②).
- 3 Asetage MB-D12 kohale, hoides MB-D12 kinnituskrugi (joonis C-②) ühitatuna kaamera statiivi pesaga (joonis C-①), ning pinguldage kinnitusratas keerates seda **LOCK** noolega näidatud suunas (joonis D). Enne MB-D12 ühendamist pole vaja akut kaamerast eemaldada. Vaikesätetel kasutatakse kaamerasse sisestatud akut alles pärast seda, kui MB-D12 aku on tühjenenud. Suvandit **Battery order (aku järjekord)** kaamera kohandatud sätete menüüs (grupp d) saab kasutada akude kasutamise järjekorra muutmiseks.

Asetage kaamera kontakti kate kindlasti kontakti katte hoidikusse ja hoidke MB-D12 kontakti katet kindlas kohas, et vältida selle kadumist.

Teravustamise lõõts-lisatarviku PB-6 kasutamisel koos MB-D12-ga on vajalikud automaatse särituse rõngad PB-6D ja PK-13.


Akukomplekti eemaldamine




MB-D12 eemaldamiseks lülitage kaamera välja ja seadke MB-D12 nuppude lukk asendisse **L**, seejärel vabastage kinnitusratas ja eemaldage MB-D12. Vahetage kindlasti kaamera kontakti kate ja MB-D12 kontakti kate, kui akukomplekt ei ole kasutuses.


Akude paigaldamine

MB-D12 saab kasutada koos ühe EN-EL15 või EN-EL18 liitium-ioonaku või kaheksa AA-patareiga. EN-EL18 aku kasutamisel on vajalik akupesa kate BL-5 (saadaval eraldi).

Enne akude paigaldamist kontrollige, et kaamera on välja lülitatud ja MB-D12 nuppude lukk on asendis **L**.

- 1 Keerake MB-D12 akupesa lukk asendisse  ja eemaldage akuhoidik (joonis E).
- 2 Seadke akud valmis allpool kirjeldatud viisil.




EN-EL15: sobitades aku täkked MS-D12EN hoidiku väljaulatuvate osadega, paigaldage aku nii, et sellel olev nool () on suunatud akuhoidiku toiteklemmide suunas (joonis F-). Vajutage aku kergelt allapoole ja libistage noole suunas, kuni toiteklemmid klõpsatavad kohale (joonis F-.

EN-EL18: Kui aku vabastaja valikulisel akupesa kattel BL-5 on seatud nii, et nool  on nähtaval, nihutage aku vabastajat kuni noole katmiseni (joonis G-). Sisestage aku kaks klemmi BL-5 vastavatesse pesadesse (joonis G-) ning veenduge, et aku vabastaja on kõrvale nihkunud ja nool on nähtaval.

AA akud: Paigaldage kaheksa AA-patareid MS-D12 patareihoidikusse vastavalt joonisele H, jälgides, et patareid oleks õiges suunas.

- 3 Paigaldage akuhoidik MB-D12-sse ja lukustage akupesa kate (joonis I). Veenduge enne luku keeramist, et hoidik on täielikult sees.
- 4 Lülitage kaamera sisse ja kontrollige juhtpaneelil või pildiotsijas aku taset. Kui kaamera ei lülitu sisse, kontrollige, kas aku on õigesti paigaldatud.







EP-5B toitepistmik

Kasutades EP-5B toitepistmiku, paigaldage see MS-D12EN hoidikusse nii, et nool () pistmikul on suunatud aku toiteklemmide suunas. Vajutage pistmik kergelt allapoole ja libistage noole suunas, kuni toiteklemmid klõpsatavad kohale (joonis J-). Avage hoidiku toitepistmiku kate ja suunake EP-5B toitekaabel läbi avause (joonis J-.






Akutase

Kaamera kuvab akutaseme järgnevalt.

EN-EL15/EN-EL18 aku




| Juhtpaneel | Pildiotsija | Kirjeldus |
|---|---|---|
|  | — | Aku on täielikult laetud. |
|  | — | Aku on osaliselt tühi. |
|  | | |
|  | | |
|  |  | Tühjenev aku. Pange valmis täielikult laetud varuaku või laadige aku. |
|  (vilgub) |  (vilgub) | Aku on tühi. Laadige või vahetage aku. |

AA akud

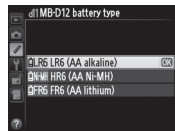
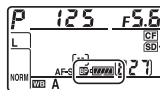
| Juhtpaneel | Pildiotsija | Kirjeldus |
|---|---|--|
|  | — | Järelejäänud laeng. |
|  |  | Akud tühjenevad. Pange valmis varuakud. |
|  (vilgub) |  (vilgub) | Akud on tühjad. Katiku vabastus blokeeritud. |

Kaamera kohandatud sätete menüü grupi d suvandit saab kasutada akude kasutamise järjekorra muutmiseks. Kui kaamera saab voolu MB-D12-st, kuvatakse juhtpaneelil ikoon BP. Kui ikoon BP vilgub, pole akupesa kate lukus. Sulgege ja lukustage akupesa kate.

Kindlustamaks, et kaamera näitab AA akude kasutamisel õiget akutaset, valige kaamera kohandatud sätete menüüs (grupp d) sobiv suvand **MB-D12 battery type (MB-D12 aku tüüp)** jaoks. Kui õiget suvandit ei ole valitud, võib kaamera mitte töötada nii nagu eeldatav.

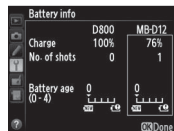
| Suvand | Aku tüüp |
|---|------------------|
|  LR6 LR6 (AA alkaline) | AA leelis (LR6) |
|  Ni-MH HR6 (AA Ni-MH) | AA Ni-MH (HR6) |
|  FR6 FR6 (AA lithium) | AA liitium (FR6) |

Eemaldage akud kui MB-D12-t ei kasutata.



Aku info


Akuteavet (koos EN-EL18 aku kalibreerimisandmetega) saab vaadata kaamera häälestusmenüüs (kaamera aku andmed on näidatud vasakul, MB-D12 omad paremal). AA akude kasutamisel kuvatakse ainult aku taseme ikoon. Täpsemalt vt kaamera juhendist.



Märkus: antud lehekülje illustatsioonidel on kujutatud D800.

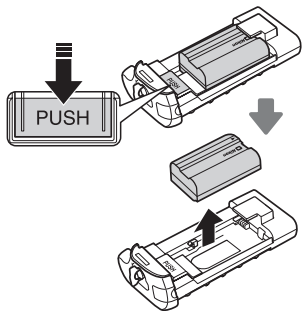
Akude eemaldamine

Olge ettevaatlikud, et mitte pillata akusid või hoidikut.

- 1 Keerake MB-D12 akupesa lukk asendisse  ja eemaldage aku hoidik (joonis E).
- 2 Eemaldage aku või akud hoidikust.

EN-EL15

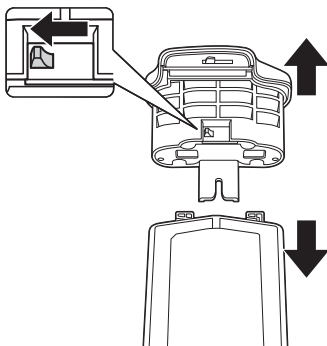
Vajutades hoidikul **PUSH** nuppu, libistage aku nupu suunas. Aku saab seejärel eemaldada nagu näidatud.



EP-5B toitepistmiku eemaldamise protsess on sama, mis EN-EL15 puhul.

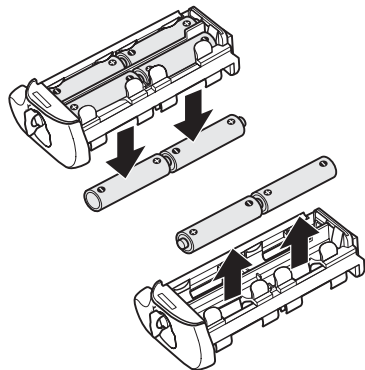
EN-EL18

Nihutage aku vabastaja noolega () näidatud suunas ning eemaldage akupesa kate.



AA akud

Eemaldage akud nagu näidatud. Olge ettevaatlikud, et mitte pillata akusid nende eemaldamisel hoidikust.



Tehnilised andmed

| | |
|----------------------------|---|
| Toiteallikas | Üks EN-EL15 või EN-EL18 liitium-ioonaku, kaheksa LR6 leelisakut, HR6 Ni-MH (nikkel-metallhüdriid-) akut või FR6 AA liitiumakut või EH-5b/EH-5a/EH-5 vahelduvvooluadapter (nõuab EP-5B toitepistmikku) |
| Töötemperatuur | 0–40 °C |
| Mõõtmed (L × K × S) | U 151 × 50 × 81 mm |
| Kaal | U 365 g koos MS-D12EN ja valikulise EN-EL15 akuga U 460 g koos MS-D12 ja kaheksa AA-patareiga (saadaval eraldi kolmandatelt tarnijatelt) U 310 g koos MS-D12EN ja valikulise EP-5B toitepistmikuga U 425 g koos valikulise BL-5 ja EN-EL18 akuga U 280 g koos MS-D12EN-ga U 270 g koos MS-D12-ga |

Tehnilisi andmeid ja disaini võidakse muuta ilma ette teatamiseta.

EN-EL15 ja EN-EL18 akud

EN-EL15 ja EN-EL18 akude jõudlus langeb temperatuuril alla u 10 °C. Kindlustage, et aku on täielikult laetud ning hoidke soe varuaku käepärast, et vajadusel vahetada. Soojendatuna taastab külm aku osa oma laetusest.

AA akud

Tulenevalt oma piiratud mahust tuleks AA LR6 leelisakusid kasutada ainult siis, kui puudub alternatiiv.

AA akude maht varieerub valmistamise ja säilitamise tingimustest ning võib mõnedel juhtudel olla väga madal; mõnedel juhtudel võivad AA akud lakata töötamast enne realiseerimisaega. Pange tähele, et AA akude maht võib langeda temperatuuridel alla 20 °C. Ei ole soovitatav kasutada madalatel temperatuuridel.

Kaadri ettenihke kiirus

EN-EL18 ja AA-patareid toetavad suuremat kaadri ettenihke kiirust kui EN-EL15; arvestage siiski, et AA-patareide korral kaadri ettenihke kiirus langeb madalatel temperatuuridel või patareide tühenemisel. Täpsemalt kaadri ettenihke kiiruse kohta vt kaamera juhendist.

Akumulators ar vairākām uzlādes iespējām MB-D12 Lietošanas rokasgrāmata

Satura rādītājs

| | |
|--|---|
| Drošības pasākumi | 2 |
| Paziņojumi pircējiem Eiropā..... | 2 |
| Piesardzības pasākumi, lietojot kameru..... | 2 |
| Ievads..... | 3 |
| MB-D12 un piederumi | 3 |
| MB-D12 un piegādes komplektā iekļautie piederumi | 3 |
| Papildu maiņstrāvas adaptera EH-5a/EH-5b un strāvas savienotāja EP-5B lietošana..... | 3 |
| Papildu akumulatora nodalījuma vāka BL-5 lietošana | 3 |
| Barošanas bloka MB-D12 daļas | 4 |
| MB-D12 aizvara atbrīvošanas poga, kursortaustiņš, komandu ciparripas un AF-ON poga..... | 4 |
| MB-D12 vadības bloķētājs..... | 4 |
| Barošanas bloka lietošana | 5 |
| Barošanas bloka piestiprināšana | 5 |
| Barošanas bloka izņemšana | 5 |
| Bateriju ievietošana | 6 |
| Akumulatora un bateriju izņemšana | 8 |
| Specifikācijas | 9 |

Drošības pasākumi

Lai nodrošinātu pareizu darbību, iekams lietot šo izstrādājumu, uzmanīgi izlasiet šo rokasgrāmatu. Pēc izlasīšanas glabājiet to vietā, kur tā būs pieejama visiem, kas izmantos izstrādājumu.

Paziņojumi pircējiem Eiropā

UZMANĪGI!

JA AKUMULATORS TIEK AIZVIETOTS AR NEPAREIZĀ TIPIA AKUMULATORU, VAR NOTIKT EKSPLOZĪJA. IZLIETOTOS AKUMULATORUS IZNĪCINIET, KĀ NORĀDĪTS INSTRUKCIJĀ.

Šis simbols norāda, ka šis produkts ir jāsavāc atsevišķi.



Tālāk tekstā minētais attiecas tikai uz lietotājiem Eiropas valstīs:

- Šis produkts ir paredzēts atsevišķai savākšanai tam piemērotos savākšanas punktos. To nedrīkst iznīcināt kā mājsaimniecības atkritumus.
- Lai noskaidrotu papildu informāciju, sazinieties ar mazumtirgotāju vai vietējām iestādēm, kas atbild par atkritumu apsaimniekošanu.

Piesardzības pasākumi, lietojot kameru

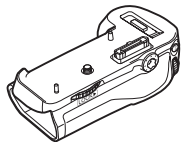
- Barošanas bloks MB-D12 paredzēts izmantošanai tikai ar saderīgām kamerām.
- Nelietojiet to ar baterijām un bateriju turētājiem, ko neiesaka šī rokasgrāmata.
- Lai nepieļautu elektriskos īssavienojumus, ko, saskaroties ar kontaktiem, var izraisīt metāla priekšmeti, uzlieciet kontaktiem vāku, kad barošanas bloks MB-D12 netiek izmantots.
- Kad bateriju turētājs ir izņemts no MB-D12, izņemiet baterijas vai ievietojiet turētāju vai vāku turētāja korpusā, lai nepieļautu īssavienojumus, ko var izraisīt saskare ar citiem metāla priekšmetiem.
- Pievienojot MB-D12 kamerai vai atvienojot no tās, uz brīdi var iedegties atmiņās kartes piekļuves lampiņa, taču tas nenorāda uz darbības traucējumiem.
- Ja pamanāt, ka no barošanas bloka nāk dūmi vai neparasta smaka, nekavējoties pārtrauciet tā lietošanu. Izņemiet baterijas un nogādājiet ierīci pārbaudīšanai mazumtirgotājam vai „Nikon” pilnvarotā apkopes centrā.
- Pats MB-D12 nav aprīkots ar strāvas slēdzi. Lai ieslēgtu vai izslēgtu strāvas padevi, pagrieziet barošanas slēdzi.

Pateicamies, ka esat iegādājušies akumulatoru ar vairākām uzlādes iespējām MB-D12, ko var izmantot ar visām Nikon vienobjektīva digitālajam spoguļkamerām, kuru rokasgrāmatās MB-D12 ir norādīts kā saderīga ierīce. MB-D12 var ievietot vienu uzlādējamo akumulatoru EN-EL15 vai EN-EL18, vai arī astoņas AA tipa baterijas (sārma, Ni-MH vai litija); tas ir aprīkots ar alternatīvu aizvara atbrīvošanas pogu, **AF-ON (AF-IESLĒGTS)** pogu, kursortaustiņu, kā arī ar galveno un apakškomandu ciparripām attēlu uzņemšanai „vertikālā” (portreta) orientācijā. Kameras izvēlnes opcijas ļauj lietotajam izvēlēties, vai pirmais tiks izmantots kameras akumulators vai barošanas blokā MB-D12 ievietotais strāvas avots (sīkāk par to skatiet kameras rokasgrāmatu).

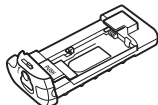
MB-D12 un piederumi

MB-D12 un piegādes komplektā iekļautie piederumi

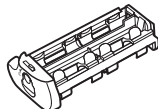
Pārliecinieties, ka kopā ar MB-D12 ir piegādāti šādi piederumi (baterijas tiek pārdotas atsevišķi).



MB-D12



MS-D12EN turētājs
EN-EL15 akumulatoriem



MS-D12 turētājs
AA tipa baterijām



Turētāja korpus



Kontaktu
vāks

Pirms nosūtīšanas MS-D12EN tiek ievietots MB-D12. Sīkāku informāciju par bateriju turētāja izņemšanu skatiet sadaļā „Bateriju ievietošana”.

- Lietotāja rokasgrāmatā (šī rokasgrāmata)
- Garantija

Papildu maiņstrāvas adaptera EH-5a/EH-5b un strāvas savienotāja EP-5B lietošana

Papildu maiņstrāvas adapteris EH-5a/EH-5b un strāvas savienotājs EP-5B nodrošina uzticamu strāvas avotu, ja kamera jālieto ilgāku laiku. Lai maiņstrāvas adapteri lietotu kopā ar MB-D12, ievietojiet EP-5B MS-D12EN bateriju turētājā, kā norādīts 6. lpp. un pēc tam pievienojiet EH-5a/EH-5b, kā norādīts EP-5B dokumentācijā.

Papildu akumulatora nodalījuma vāka BL-5 lietošana

Ja tiek izmantoti akumulatori EN-EL18, ir nepieciešams akumulatora nodalījuma vāks BL-5 (pieejams atsevišķi).



Akumulatora
nodalījuma vāks
BL-5

- ① Kontakta vāks
- ② Kameras kontakta vāka turētājs
- ③ Strāvas/signāla kontakti
- ④ **AF-ON** poga
- ⑤ Komandu ciparripa
- ⑥ Kursortaustiņš
- ⑦ Piederumu disks
- ⑧ Barošanas savienotāja vāka turētājs
- ⑨ Akumulatora nodalījuma vāks
- ⑩ Bateriju nodalījums
- ⑪ Akumulatora nodalījuma sprūds
- ⑫ Stiprinājuma skrūve
- ⑬ Aizvara atbrīvošanas poga
- ⑭ Vadības bloķētājs
- ⑮ Apakškomandu skala
- ⑯ Trijkāja ligzda
- ⑰ MS-D12EN turētājs EN-EL15 akumulatoriem
- ⑱ Strāvas kontakti (MS-D12EN bateriju turētājs)
- ⑳ MS-D12 turētājs AA tipa baterijām
- ㉑ Strāvas kontakti (MS-D12 bateriju turētājs)
- ㉒ Akumulatora nodalījuma vāks BL-5 (pieejams atsevišķi)

MB-D12 aizvara atbrīvošanas poga, kursortaustiņš, komandu ciparripas un AF-ON poga

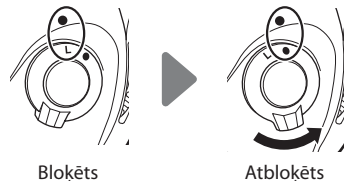
Barošanas bloks MB-D12 ir aprīkots ar aizvara atbrīvošanas pogu (attēls A-⑬), kursortaustiņu (attēls A-⑥), komandu ciparripu (attēls A-⑤), apakškomandu skalu (attēls A-⑮) un **AF-ON** pogu (attēls A-④), ko izmanto, uzņemot fotogrāfijas vertikālā (portreta) orientācijā. Šīs vadības ierīces pilda tās pašas funkcijas kā kameras attiecīgās vadības ierīces. Sīkāku informāciju skatiet kameras rokasgrāmatā.

Izmaiņas, kas kameras iestatījumu izvēlnē veiktas vienumiem **Multi selector center button (Kursortaustiņa centrālā poga)**, **Multi selector (Kursortaustiņš)**, **Customize command dials (Pielāgot komandu ciparripas)** un **Assign MB-D12 AF-ON (MB-D12 AF-IESLĒGT piešķīre)** (f grupa), tiek piemērotas MB-D12 kursortaustiņam, komandu ciparripām un **AF-ON (AF IESLĒGT)** pogai.

MB-D12 vadības bloķētājs

Vadības bloķētājs (attēls A-⑭) bloķē MB-D12 vadību, lai nepieļautu tās neparedzētu darbību. Pirms lietot šīs vadības ierīces, lai uzņemtu fotogrāfijas vertikālā (portreta) orientācijā, atbrīvojiet fiksatoru, kā parādīts ilustrācijā pa labi.

Vadības fiksators nav strāvas slēdzis. Lai ieslēgtu un izslēgtu kameru, izmantojiet kameras barošanas slēdzi.



Bloķēts

Atbloķēts

Barošanas bloka lietošana

Barošanas bloka piestiprināšana

Pirms pievienot barošanas bloku, pārlicinieties, ka kamera ir izslēgta un ka MB-D12 vadības bloķētājs (attēls A-④) ir stāvoklī **L** (ilustrācijām izmantota kamera D800).

- 1 Noņemiet barošanas blokam kontaktu vāku (attēls A-①).
- 2 MB-D12 kontakti atrodas kameras pamatnē, kur tos aizsargā kontaktu vāks. Noņemiet kontaktu vāku, kā parādīts attēlā B-①, un ievietojiet to MB-D12 kontaktu vāka turētājā (attēls B-②).
- 3 Pozicionējiet MB-D12, izlīdzinot MB-D12 stiprinājuma skrūvi (attēls C-②) ar kameras trijkāja ligzdu (attēls C-①) un pievelciet piederumu disku, griežot to ar bultiņu **LOCK** norādītajā virzienā (attēls D). Pirms MB-D12 piestiprināšanas nav nepieciešams izņemt akumulatoru no kameras. Ar noklusējuma iestatījumiem kamerā ievietotais akumulators tiks izmantots tikai pēc tam, kad būs iztukšots MB-D12 ievietotais strāvas avots. Pielāgoto iestatījumu opciju **Battery order (Bateriju secība)** (grupa "d") var izmantot, lai mainītu secību, kādā tiek izmantoti akumulatori.

Kameras kontaktu vāku noteikti ielieciet vāka turētājā, savukārt MB-D12 kontaktu vāku glabājiet drošā vietā, lai to nepazaudētu.

Ja kopā ar MB-D12 tiek izmantota fokusēšanas pierīce PB-6, ir nepieciešami pagarinātājgredzeni PB-6D un PK-13.

Barošanas bloka izņemšana

Lai izņemtu barošanas bloku MB-D12, izslēdziet kameru un iestatiet MB-D12 vadības bloķētāju stāvoklī **L**, pēc tam atskrūvējiet vaļīgāk piederumu disku un noņemiet MB-D12. Ja barošanas bloks netiek izmantots, noteikti uzlieciet vietā kameras kontaktu vāku un barošanas bloka MB-D12 kontaktu vāku.

Bateriju ievietošana

MB-D12 var lietot ar vienu uzlādējamo litija jonu akumulatoru EN-EL15 vai EN-EL18, vai arī ar astoņām AA tipa baterijām. Ja tiek izmantots akumulators EN-EL18, ir nepieciešams akumulatora nodalījuma vāks BL-5 (pieejams atsevišķi).

Pirms pievienot barošanas bloku, pārliecinieties, ka kamera ir izslēgta un ka MB-D12 vadības bloķētājs ir **L** pozīcijā.

1 Pagrieziet MB-D12 akumulatora nodalījuma sprūdu uz  un izņemiet bateriju turētāju (attēls E).

2 Sagatavojiet baterijas, kā norādīts tālāk.

EN-EL15: Savietojiet uz akumulatora esošos apzīmējumus ar MS-D12EN turētāja izvirzījumiem, ievietojiet akumulatoru, pavēršot bultiņu (▲) pret bateriju turētāja strāvas kontaktiem (attēls F-**1**). Viegli paspiediet akumulatoru uz leju un bīdiet to bultiņas virzienā, līdz strāvas kontakti ar klikšķi nofiksējas vietā (attēls F-**2**).

EN-EL18: Ja papildu akumulatora nodalījuma vāka BL-5 akumulatora sprūds ir pozicionēts tā, ka ir redzama bultiņa ◁, pabīdiet akumulatora sprūdu, lai tas nosegtu bultiņu (G-**1**, attēls). Ievietojiet akumulatora BL-5 (G-**2**, attēls) divus izvirzījumu atbilstošos slotos un pārliecinieties, ka akumulatora sprūds ir pabīdīts sāņus, atklājot bultiņu.

AA tipa baterijas: ievietojiet astoņas AA tipa baterijas MS-D12 akumulatora turētājā, kā parādīts H attēlā, pārliecinoties, ka baterijas ir pareizi orientētas.

3 Ievietojiet bateriju turētāju barošanas blokā MB-D12 un nostipriniet akumulatora nodalījuma vāku (attēls I). Iekams pagrieziet sprūdu, pārliecinoties, ka turētājs ir ievietots pilnībā.

4 Ieslēdziet kameru un pārbaudiet baterijas līmeni vadības panelī vai skatu meklētājā. Ja kamera neieslēdzas, pārbaudiet, vai baterija ir ievietota pareizi.

Barošanas savienotājs EP-5B

Ja izmantojat barošanas savienotāju EP-5B, ievietojiet to turētājā MS-D12EN tā, lai uz savienotājā esošā bultiņa (▲) būtu pret strāvas kontaktiem. Viegli paspiediet savienotāju uz leju un bīdiet to bultiņas virzienā, līdz strāvas kontakti ar klikšķi nofiksējas vietā (attēls J-**1**). Atveriet turētāja barošanas savienotāja vāku un izvadiet cauri atverei barošanas kabeli EP-5B (attēls J-**2**).

Akumulatora līmenis

Kamera akumulatora līmeni parāda šādi:

Akumulators EN-EL15/EN-EL18

| Vadības panelis | Skatu meklētājs | Apraksts |
|-----------------|-----------------|--|
| | — | Akumulators pilnībā uzlādēts. |
| | — | Akumulators daļēji izlādējies. |
| | — | |
| | — | |
| | | Zems akumulatora līmenis. Sagatavojiet pilnīgi uzlādētu rezerves akumulatoru vai uzlādējiet akumulatoru. |
| | | Akumulators ir iztukšots. Uzlādējiet vai nomainiet akumulatoru. |

AA tipa baterijas

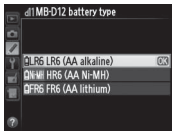
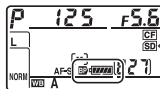
| Vadības panelis | Skatu meklētājs | Apraksts |
|-----------------|-----------------|---|
| | — | Atlikušais lādiņš. |
| | | Zems baterijas lādiņš. Sagatavojiet rezerves baterijas. |
| | | Baterijas ir iztukšotas. Aizvara atbrīvošana atspējota. |

Kameras pielāgoto iestatījumu izvēlnes grupas "d" opciju var izmantot, lai mainītu bateriju un akumulatora izmantošanas secību. Kad kamera tiek darbināta, izmantojot barošanas bloku MB-D12, vadības panelī tiek parādīta ikona **BP**. Ja **BP** ikona mirgo, tas nozīmē, ka akumulatora nodalījuma vāks nav aizvērts. Aizveriet un nostipriniet ar sprūdu akumulatora nodalījuma vāku.

Lai nodrošinātu, ka kamera parāda pareizu bateriju līmeni, kad tiek izmantotas AA tipa baterijas, iestatiet opcijai **MB-D12 battery type (MB-D12 baterijas tips)** atbilstošu pielāgoto iestatījumu (grupa "d") izvēlnes opciju. Ja netiek atlasīta pareiza opcija, kamera var sākt darboties nepareizi.

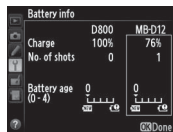
| Opcija | Bateriju tips |
|--------------------------|------------------|
| LR6 (AA alkaline) | AA, sārma (LR6) |
| HR6 (AA Ni-MH) | AA, Ni-MH (HR6) |
| FR6 (AA lithium) | AA, litija (FR6) |

Ja MB-D12 netiek izmantots, izņemiet no tā baterijas.



Bateriju informācija


Akumulatora informāciju (tostarp akumulatora EN-EL18 kalibrēšanas informāciju) var apskatīt, izmantojot kameras iestatīšanas izvēlni (kameras akumulatori ir uzskaitīti pa kreisi, bet MB-D12 – pa labi). Ja tiek izmantotas AA tipa baterijas, tiek parādīta tikai bateriju līmeņa ikona. Papildu informāciju skatiet kameras rokasgrāmatā.



Piezīme: Šajā lappusē redzamajās ilustrācijās izmantota kamera D800.

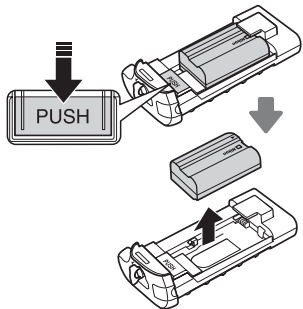
Akumulatora un bateriju izņemšana

Esiet uzmanīgi un nenometiet baterijas vai turētāju.

- 1 Pagrieziet MB-D12 akumulatora nodalījuma sprūdu uz  un noņemiet bateriju turētāju (attēls E).
- 2 Izņemiet akumulatoru vai baterijas no turētāja.


EN-EL15

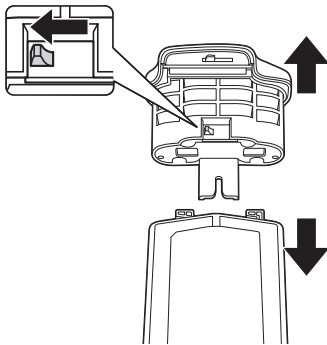
Nospiediet turētāja pogu **PUSH** un bīdiet akumulatoru pogas virzienā. Tagad akumulatoru var izņemt, kā parādīts ilustrācijā.



Barošanas savienotāja EP-5B izņemšanas procedūra ir tāda pat kā EN-EL15 izņemšanas procedūra.

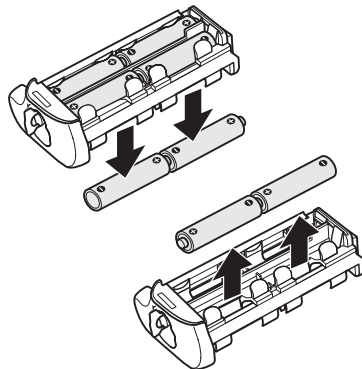
EN-EL18

Bīdiet akumulatora sprūdu bultiņas () norādītajā virzienā un noņemiet akumulatora nodalījuma vāku.



AA tipa baterijas

Izņemiet baterijas, kā parādīts ilustrācijā. Esiet uzmanīgi un, izņemot no turētāja, nenometiet baterijas zemē.



Specifikācijas

| | |
|---------------------------|--|
| Barošanas avots | Viens uzlādējams litija jonu akumulators EN-EL15 vai EN-EL18, astoņas LR6 sārma, HR6 Ni-MH vai FR6 litija AA tipa baterijas vai maiņstrāvas adapteris EH-5b/EH-5a/EH-5 (nepieciešams barošanas savienotājs EP-5B) |
| Darba temperatūra | 0–40 °C |
| Izmēri (P × A × D) | Aptuveni 151 × 50 × 81 mm |
| Svars | Apm. 365 g – ar MS-D12EN papildu akumulatoru EN-EL15 Apm. 460 g – ar MS-D12 un astoņām AA tipa baterijām (pieejamas atsevišķi pie trešo pušu piegādātājiem) Apm. 310 g – ar MS-D12EN un papildu barošanas savienotāju EP-5B Apm. 425 g – ar papildu akumulatoru BL-5 un EN-EL18 Apm. 280 g – ar MS-D12EN Apm. 270 g – ar MS-D12 |

Specifikācijas un konstrukcija var tika mainīta bez iepriekšēja paziņojuma.

Akumulatori EN-EL15 un EN-EL18

Akumulatoru EN-EL15 un EN-EL18 sniegums samazinās, ja temperatūra ir zemāka par 10 °C. Pārliecinieties, ka akumulators ir pilnībā uzlādēts un turiet gatavībā siltu rezerves akumulatoru, vai esiet gatavi to uzlādēt pēc vajadzības. Uzsildot aukstu akumulatoru, tas var atgūt daļu lādiņa.

AA tipa baterijas

Ierobežotās ietilpības dēļ AA tipa sārma baterijas LR6 jāizmanto tikai tad, ja nav citas alternatīvas.

AA tipa bateriju ietilpība mainās atkarībā no modeļa un atsevišķos gadījumos tā var būt ļoti maza. Atsevišķos gadījumos AA tipa baterijas var pārtraukt darboties pirms to derīguma termiņa izbeigšanās. Ņemiet vērā, ka AA tipa bateriju ietilpība var samazināties, ja vides temperatūra ir zemāka par 20 °C. Nav ieteicams tās izmantot zemās temperatūrās.

Kadru ātrums

Akumulatori EN-EL18 un AA tipa baterijas atbalsta lielākus kadru ātrumus nekā EN-EL15; tomēr ņemiet vērā, ka AA tipa bateriju gadījumā kadru ātrums samazināsies zemā temperatūrā un arī tad, ja bateriju lādiņa līmenis ir zems. Sīkāku informāciju kadru ātrumiem skatiet kameras rokasgrāmatā.

MB-D12 įvairių srovės šaltinių akumulatorius

Naudojimo instrukcija

Turinys

| | |
|--|---|
| Atsargumo priemonės | 2 |
| Pranešimas klientams Europoje | 2 |
| Atsargumo priemonės naudojant prietaisą | 2 |
| Įžanga | 3 |
| MB-D12 ir priedai | 3 |
| MB-D12 ir pateikti priedai | 3 |
| Papildomo EH-5a/EH-5b kintamosios srovės adapterio ir EP-5B kintamosios srovės jungties naudojimas | 3 |
| Papildomo BL-5 akumulatoriaus skyriaus dangtelio naudojimas | 3 |
| MB-D12 dalys | 4 |
| MB-D12 užrakto atleidimo mygtukas, kryptinis valdiklis, komandų ratukai ir AF-ON mygtukas | 4 |
| MB-D12 valdymo fiksatorius | 4 |
| Akumulatoriaus naudojimas | 5 |
| Akumulatoriaus pritvirtinimas | 5 |
| Akumulatoriaus nuėmimas | 5 |
| Akumuliatorių įdėjimas | 6 |
| Akumuliatorių išėmimas | 8 |
| Techniniai duomenys | 9 |

Atsargumo priemonės

Kad užtikrintumėte tinkamą veikimą, atidžiai perskaitykite šią instrukciją prieš naudodamiesi gaminiu. Perskaitykite visiems naudojančiams šį gaminį prieinamoje vietoje.

Pranešimai klientams Europoje

DĖMESIO

JEI BUS NAUDOJAMAS NETINKAMO TIPO AKUMULIATORIUS, GALI VYKTI SPROGIMAS. AKUMULIATORIUS IŠMESKITE TAIP, KAIP NURODYTA INSTRUKCIJOJE.

Šis simbolis nurodo, kad gaminys turi būti surenkamas atskirai.



Tai taikoma tik vartotojams Europos šalyse:

- Šis gaminys sukurtas atskirai surinkti tinkamame surinkimo punkte. Nemeskite su buitinėmis atliekomis.
- Daugiau informacijos galite gauti iš pardavėjo ar vietinių kompetentingų specialistų, atsakingų už atliekų tvarkymą.

Atsargumo priemonės naudojant prietaisą

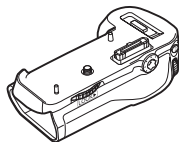
- MB-D12 galima naudoti tik su suderinamais fotoaparatais.
- Nenaudokite su akumuliatoriais ar akumuliatorių laikikliais, nerekomenduotais šioje instrukcijoje.
- Kad būtų išvengta trumpojo elektros grandinių jungimo, sukkelto metalinių objektų, liečiančių maitinimo kontaktus, kai nenaudojate MB-D12, uždėkite kontaktų dangtelį.
- Kai akumuliatorių laikiklis išimtas iš MB-D12, išimkite akumuliatorius, arba laikykite laikiklį ar gaubtą jo dėkle, kad išvengtumėte trumpojo jungimo dėl kontakto su kitais metaliniais objektais.
- Prijungiant MB-D12 prie fotoaparato arba nuimant nuo jo gali užsidegti atminties kortelės prieigos lemputė, tačiau tai nereiškia gedimo.
- Jei iš akumuliatoriaus imtų sklįsti dūmai, neįpras tas kvapas ar triukšmas, nedelsiant nustokite jį naudoti. Išėmę akumuliatorius nuneškite prietaisą pardavėjui arba „Nikon“ įgaliotajam techninės priežiūros atstovui.
- MB-D12 neturi maitinimo jungiklio. Kad jį įjungtumėte ar išjungtumėte, naudokite fotoaparato maitinimo jungiklį.

Dėkojame, kad įsigijote MB-D12 įvairių srovės šaltinių akumuliatorių, tinkamą naudoti su višais „Nikon“ vieno objektyvo atspindimaisiais skaitmeniniais fotoaparatais, kurių instrukcijose MB-D12 paminėtas kaip tinkamas priedas. Į MB-D12 telpa vienas EN-EL15 ar EN-EL18 įkraunamas akumuliatorius arba aštuonios AA baterijos (šarminiai maitinimo elementai, Ni-MH arba ličio akumuliatoriai), jame papildomai įrengtas dar vienas užrakto atleidimo mygtukas, **AF-ON** mygtukas, kryptinis valdiklis ir pagrindinis bei papildomas komandų ratukai, padedantys fotografuoti laikant fotoaparata vertikalčiai. Fotoaparato meniu galite pasirinkti, kuris akumuliatorius bus naudojamas pirmas – fotoaparato, ar MB-D12; daugiau skaitykite fotoaparato instrukcijoje.

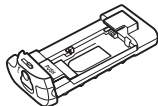
MB-D12 ir priedai

MB-D12 ir pateikti priedai

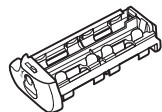
Patikrinkite, ar kartu su MB-D12 gavote šias dalis (baterijos parduodamos atskirai):



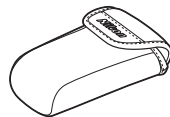
MB-D12



MS-D12EN laikiklis
EN-EL15
akumuliatoriams



MS-D12 laikiklis
AA tipo baterijoms



Laikiklio dėklas



Laikiklio dėklas

MS-D12EN yra įdėtas į MB-D12 pristatymo metu. Skyriuje „Akumuliatorių įdėjimas“ rasite informacijos, kaip išimti akumuliatorių laikiklį.

- Naudojimo instrukcija (ši instrukcija)
- Garantija

Papildomo EH-5a/EH-5b kintamosios srovės adapterio ir EP-5B kintamosios srovės jungties naudojimas

Papildomas EH-5a/EH-5b kintamosios srovės adapteris ir EP-5B kintamosios srovės jungtis yra patikimi maitinimo šaltiniai, kai fotoaparatas naudojamas ilgą laiką. Kad galėtumėte naudoti kintamosios srovės adapterį kartu su MB-D12, įdėkite EP-5B į MS-D12EN akumuliatorių laikiklį taip, kaip aprašyta 6 psl. Tada prijunkite EH-5a/EH-5b, kaip aprašyta kartu su EP-5B pateiktoje dokumentacijoje.

Papildomo BL-5 akumuliatoriaus skyriaus dangtelio naudojimas

Naudojant EN-EL18 akumuliatorių, reikalingas BL-5 akumuliatoriaus skyriaus dangtelis (įsigyjamas atskirai).



BL-5 akumuliatoriaus skyriaus dangtelis

- ① Kontaktų dangtelis
- ② Fotoaparato kontaktų dangtelio laikiklis
- ③ Maitinimo / signalo kontaktai
- ④ **AF-ON** mygtukas
- ⑤ Pagrindinis komandų ratukas
- ⑥ Kryptinis valdiklis
- ⑦ Pritvirtinimo ratukas
- ⑧ Laikiklio maitinimo jungties dangtelis
- ⑨ Akumuliatoriaus skyriaus dangtelis
- ⑩ Akumuliatoriaus skyrius
- ⑪ Akumuliatoriaus skyriaus fiksatorius
- ⑫ Montavimo varžtas
- ⑬ Užrakto atleidimo mygtukas
- ⑭ Valdymo fiksatorius
- ⑮ Papildomų komandų ratukas
- ⑯ Trikojo lizdas
- ⑰ MS-D12EN laikiklis EN-EL15 akumuliatoriams
- ⑱ Maitinimo kontaktai
- ⑲ Maitinimo kontaktai
(MS-D12EN akumuliatorių laikiklis)
- ⑳ MS-D12 laikiklis AA tipo baterijoms
- ㉑ Maitinimo kontaktai
(MS-D12 akumuliatorių laikiklis)
- ㉒ BL-5 akumuliatoriaus skyriaus dangtelis
(įsigyjamas atskirai)

MB-D12 užrakto atleidimo mygtukas, kryptinis valdiklis, komandų ratukai ir AF-ON mygtukas

MB-D12 yra užrakto atleidimo mygtukas (pav. A-⑬), kryptinis valdiklis (pav. A-⑥), pagrindinių komandų ratukas (pav. A-⑤), papildomų komandų ratukas (pav. A-⑮) ir **AF-ON** mygtukas (pav. A-④), naudojami fotografuojant vertikaliai (vadinamoji „portreto“ orientacija). Šie valdymo elementai atlieka tas pačias funkcijas, kaip ir atitinkami fotoaparato valdymo elementai. Papildomos informacijos rasite fotoaparato vadove.

Multi selector center button (kryptinio valdiklio centrinio mygtuko), Multi selector (kryptinio valdiklio), Customize command dials (tinkinamų komandų ratukų) ir Assign MB-D12 AF-ON (MB-D12 valdymo elemento AF-ON priskyrimo) keitimas fotoaparato pasirinktinių nustatymų meniu (f grupė) papildomai taikomi MB-D12 kryptiniam valdikliui, komandų ratukams ir **AF-ON** mygtukui.

MB-D12 valdymo fiksatorius

Valdymo fiksatorius (pav. A-⑭) užblokuoja MB-D12 valdiklius, kad būtų išvengta nepageidaujamo jų naudojimo. Prieš naudodami šiuos valdiklius fotografuoti vertikaliai („portreto“ orientacija), atleiskite fiksatorių, kaip parodyta dešinėje.

Valdymo fiksatorius nėra maitinimo jungiklis. Jei fotoaparatą norite įjungti arba išjungti, naudokite fotoaparato maitinimo jungiklį.



Užrakinta

Atrakinta

Akumulatoriaus naudojimas

Akumulatoriaus pritvirtinimas

Prieš pritvirtindami akumuliatorių patikrinkite, ar fotoaparatas išjungtas ir ar MB-D12 valdymo fiksatorius (pav. A-14) yra nustatytas į padėtį **L** (paveikslėliuose pavaizduotas D800).

- 1 Nuimkite kontaktų dangtelį (pav. A-1) nuo akumulatoriaus.
- 2 MB-D12 kontaktai yra fotoaparato apačioje. Jie apsaugoti kontaktų dangteliu. Nuimkite kontaktų dangtelį, kaip parodyta pav. B-1, ir įdėkite jį į kontaktų dangtelio laikiklį ant MB-D12 (pav. B-2).
- 3 Uždėkite MB-D12, laikydami MB-D12 montavimo varžtą (pav. C-2) sulgyjotą su fotoaparato trikojo lizdu (pav. C-1), ir užveržkite tvirtinimo ratuką pasukdami jį kryptimi, nurodyta rodykle **LOCK (FIKSUOTI)** (pav. D). Prieš prijungiant MB-D12, akumulatoriaus išimti iš fotoaparato nereikia. Pagal numatytuosius nustatymus, akumulatorius, esantis fotoaparate, bus naudojamas tik po to, kai MB-D12 akumulatorius bus išseikvotas. Akumuliatorių naudojimo eiliškumą pakeisti galima parinktimi **Battery order (Akumuliatorių tvarka)**, esančia fotoaparato pasirinktinių nustatymų meniu (grupė d).

Kad nepamestumėte, įsitikinkite, kad įdėjote fotoaparato kontaktų dangtelį į kontaktų dangtelio laikiklį ir MB-D12 kontaktų dangtelis laikomas saugioje vietoje.

Su MB-D12 naudojant PB-6 dumplių fokusavimo priedą, reikalingi PB-6D ir PK-13 automatinio pailginimo žiedai.


Akumulatoriaus nuėmimas

Kad nuimtumėte MB-D12, išjunkite fotoaparata, nustatykite valdymo fiksatorių ant MB-D12 į padėtį **L**, tada atleiskite tvirtinimo ratuką ir nuimkite MB-D12. Kai akumulatoriaus nenaudojate, uždėkite dangtelius ant fotoaparato ir MB-D12 kontaktų.

Akumuliatorių įdėjimas

Į MB-D12 galima įdėti vieną EN-EL15 arba EN-EL18 įkraunamą ličio jono akumuliatorių arba aštuonias AA baterijas. Naudojant EN-EL18 akumuliatorių, reikalingas BL-5 akumuliatoriaus skyriaus dangtelis (įsigyjamas atskirai).

Prieš įdėdami akumuliatorius patikrinkite, ar fotoaparatas išjungtas, o MB-D12 valdymo fiksatorius nustatytas į padėtį **L**.

- 1 Pasukite MB-D12 akumuliatoriaus skyriaus fiksatorių į padėtį  ir išimkite akumuliatoriaus laikiklį (pav. E).
- 2 Paruoškite akumuliatorius, kaip aprašyta toliau.

EN-EL15: suderinę įdubas ant akumuliatoriaus su iškyšomis ant MS-D12EN laikiklio įdėkite akumuliatorių. Rodyklę (▲) nukreipkite link akumuliatoriaus laikiklio maitinimo kontaktų (pav. F-①). Lengvai nuspauskite akumuliatorių žemyn ir stumkite jį rodyklės kryptimi, kol maitinimo kontaktai spragtelėdami užsifikuos (pav. F-②).

EN-EL18: jei papildomo BL-5 akumuliatoriaus skyriaus dangtelio akumuliatoriaus atleidiklis yra nustatytas taip, kad matoma rodyklė ◁, nustumkite akumuliatoriaus atleidiklį, kad uždengtumėte rodyklę (G-① pav.). Įstatykite dvi akumuliatoriaus iškyšas į atitinkamus BL-5 lizdus (G-② pav.) ir įsitinkinkite, kad akumuliatoriaus atleidiklis pasistūmė į šoną ir atidengs rodyklę.

AA baterijos: įdėkite aštuonias AA baterijas į MS-D12 baterijų laikiklį (žr. H pav.). Patikrinkite, kad baterijos būtų dedamos teisinga orientacija.

- 3 Įdėkite akumuliatorių laikiklį į MB-D12 ir užfiksukite akumuliatoriaus skyriaus dangtelį (pav. I). Prieš pasukdami fiksatorių įsitinkinkite, kad laikiklis įkištas iki galo.
- 4 Įjunkite fotoaparata ir patikrinkite akumuliatoriaus įkrovos lygį valdymo pulte ar vaizdo iešiklyje. Jei fotoaparatas neįsijungia, patikrinkite, ar akumuliatorius įdėtas teisingai.

EP-5B kintamosios srovės jungtis

Jei naudojate EP-5B kintamosios srovės jungtį, įkiškite ją į MS-D12EN laikiklį, rodyklę (▲) ant jungties nukreipę link akumuliatoriaus maitinimo kontaktų. Palengva spustelėkite jungtį žemyn ir stumkite ją rodyklės kryptimi, kol maitinimo kontaktai spragtelėdami užsifikuos (pav. J-①). Atidarykite laikiklio kintamosios srovės jungties dangtelį ir prakiškite EP-5B maitinimo laidą pro angą (pav. J-②).

Akumuliatoriaus įkrovos lygis

Fotoaparate akumuliatoriaus įkrovos lygis rodomas taip:

EN-EL15/EN-EL18 akumuliatorius

| Valdymo pultas | Vaizdo ieškiklis | Aprašymas |
|----------------|------------------|--|
| | — | Akumuliatorius visiškai įkrautas. |
| | — | Akumuliatorius iš dalies išsikrovęs. |
| | | |
| | | |
| | | Akumuliatorius beveik išsekvotas. Paruoškite visiškai įkrautą akumuliatorių arba pakraukite akumuliatorių. |
| | | Akumuliatorius išsekvotas. Įkraukite ar keiskite akumuliatorių. |

AA baterijos

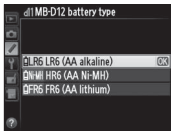
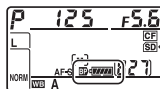
| Valdymo pultas | Vaizdo ieškiklis | Aprašymas |
|----------------|------------------|---|
| | — | Likusi įkrova. |
| | | Akumuliatoriai beveik išsekvoti. Paruoškite atsarginius akumuliatorius. |
| | | Akumuliatoriai išsekvoti. Užrakto atleidimas išjungtas. |

Akumuliatorių naudojimo eiliškumą pakeisti galima parinktimi, esančia fotoaparato pasirinktinių nustatymų meniu d grupėje. Kai fotoaparatas yra maitinamas iš MB-D12, valdymo pulte rodoma piktograma . Jei piktograma mirksi, akumuliatoriaus skyriaus dangtelis nėra užfiksuotas. Uždarykite ir užfiksuokite akumuliatoriaus skyriaus dangtelį.

Kad fotoaparatas teisingai rodytų akumuliatoriaus įkrovos lygį, kai naudojamos AA baterijos, pasirinkite tinkamą parinktį **MB-D12 battery type (MB-D12 akumuliatoriaus tipas)** vertę fotoaparato pasirinktinių nustatymų meniu (grupė d). Jei nepasirinkta teisinga parinktis, fotoaparatas gali neveikti, kaip tikėtasi.

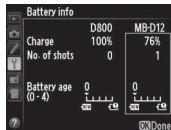
| Parinktis | Akumuliatoriaus tipas |
|--------------------------|-----------------------------|
| LR6 (AA alkaline) | AA šarminis elementas (LR6) |
| HR6 (AA Ni-MH) | AA Ni-MH (HR6) |
| FR6 (AA lithium) | AA ličio (FR6) |

Jeigu MB-D12 nenaudojate, išimkite akumuliatorius.



Informacija apie akumuliatorių


Informaciją apie akumuliatorių (įskaitant EN-EL18 akumuliatorių kalibravimo informaciją) galima peržvelgti fotoaparato sąrankos meniu (fotoaparato akumuliatorius pateiktas kairėje, o MB-D12 – dešinėje). Kai naudojamos AA baterijos, rodoma tik akumuliatoriaus įkrovos lygio piktograma. Išsamiau žr. fotoaparato instrukciją.



Pastaba: šiame puslapyje pavaizduotas D800 modelis.

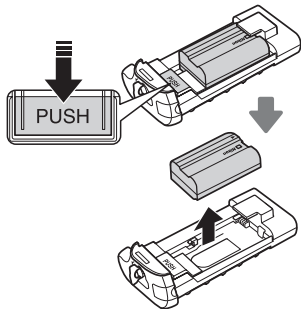
Akumuliatorių išėmimas

Stenkitės nenumesti akumuliatorių ir laikiklio.

- 1 Pasukite MB-D12 akumuliatoriaus skyriaus fiksatorių į padėtį  ir išimkite akumuliatoriaus laikiklį (pav. E).
- 2 Išimkite akumuliatorių (-ius) iš laikiklio.


EN-EL15

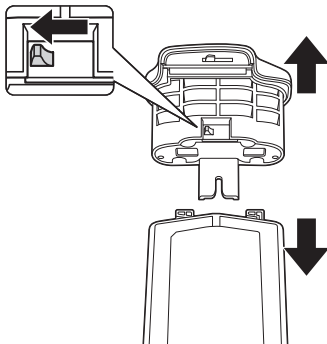
Laikydami nuspaudę laikiklio mygtuką **PUSH (SPAUSTI)**, slinkite akumuliatorių link mygtuko. Tada galite išimti akumuliatorių, kaip parodyta.



EP-5B kintamosios srovės jungties išėmimo tvarka yra ta pati, kaip ir EN-EL15.

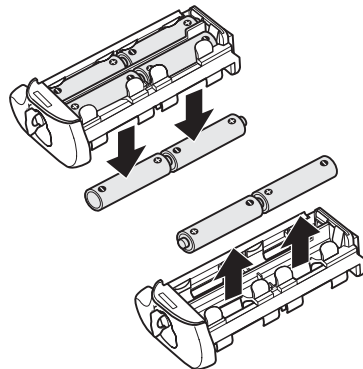
EN-EL18

Nustumkite akumuliatoriaus atleidiklį rodyklės nurodyta kryptimi () ir nuimkite akumuliatoriaus skyriaus dangtelį.



AA baterijos

Išimkite baterijas, kaip parodyta. Būkite atsargūs, kad nenumestumėte akumuliatorių, kai juos išimate iš laikiklio.



Techniniai duomenys

| | |
|--|--|
| Maitinimo šaltinis | Vienas EN-EL15 arba EN-EL18 įkraunamas ličio jono akumuliatorius, aštuoni LR6 šarminiai maitinimo elementai, HR6 Ni-MH arba FR6 ličio jono AA akumuliatoriai arba EH-5b/EH-5a/EH-5 kintamosios srovės adapteris (reikalinga EP-5B kintamosios srovės jungtis) |
| Darbinė temperatūra | 0–40 °C |
| Matmenys (Plotis × aukštis × ilgis) | Maždaug 151 × 50 × 81 mm |
| Svoris | Apie 365 g su MS-D12EN ir papildomu EN-EL15 akumuliatoriumi Apie 460 g su MS-D12 ir aštuoniomis AA baterijomis (įsigyjamos atskirai, iš trečiųjų šalių tiekėjų) Apie 310 g su MS-D12EN ir papildoma EP-5B kintamosios srovės jungtimi Apie 425 g su papildomu BL-5 ir EN-EL18 akumuliatoriumi Apie 280 g su MS-D12EN Apie 270 g su MS-D12 |

Techniniai duomenys ir dizainas gali būti keičiami neįspėjus.

EN-EL15 ir EN-EL18 akumuliatoriai

Jei temperatūra nukrenta žemiau 10 °C, EN-EL15 ir EN-EL18 akumuliatorių talpa sumažėja. Patikrinkite, ar akumuliatorius visiškai įkrautas ir turėkite paruošę šiltą atsarginį akumuliatorių, jei prireiktų pakeisti. Šalti akumuliatoriai atgaus dalį savo įkrovos, kai atšils.

AA baterijos

Dėl ribotos talpos AA LR6 šarminės baterijos turėtų būti naudojamos tik tada, kai nėra kito pasirinkimo.

AA baterijų talpa yra įvairi, ji priklauso nuo gamintojo ir laikymo sąlygų. Baterijos gali išsikrauti labai greitai. Tam tikrais atvejais AA baterijos gali išsieikvoti ir nesibaigus jų tinkamumo naudoti laikotarpiui. Atminkite, kad esant žemesnei nei 20 °C temperatūrai, AA baterijos gali nusilpti. Kai temperatūra žema, jų naudoti nerekomenduojama.

Maksimali kadryų sparta

EN-EL18 akumuliatorius ir AA baterijos dera su didesniu kadryų dažniu nei EN-EL15, tačiau reikia atminti, kad naudojant AA baterijas ir esant žemai aplinkos temperatūrai arba joms senkant kadryų dažnis sumažės. Papildomos informacijos apie kadryų dažnį rasite fotoaparato vadove.

MB-D12 Fjölvirkur rafhlöðubúnaður

Notendahandbók

Efnisyfirlit

| | |
|--|---|
| Öryggisreglur | 2 |
| Tilkynning til viðskiptavina í Evrópu | 2 |
| Viðvaranir fyrir notkun | 2 |
| Inngangur | 3 |
| MB-D12 og aukabúnaður | 3 |
| MB-D12 og meðfylgjandi aukabúnaður | 3 |
| Notkun valfrjáls EH-5a/EH-5b straumbreytis og EP-5B rafmagnstengis | 3 |
| Notkun á auka BL-5 loki á rafhlöðuhólfi | 3 |
| Hluti af MB-D12 | 4 |
| MB-D12 afsnellari, fjölvirkur valtakki, stjórnskífur og AF-ON-hnappur | 4 |
| MB-D12 stýrilás | 4 |
| Notkun rafhlöðubúnaðar | 5 |
| Festa rafhlöðubúnað á | 5 |
| Rafhlöðubúnaður tekinn úr | 5 |
| Setja rafhlöður í | 6 |
| Fjarlægja rafhlöður | 8 |
| Tæknilýsing | 9 |

Öryggisreglur

Lesið þessa handbók vandlega áður en þessi vara er notuð til að tryggja rétta beitingu. Tryggðu að geyma handbókina þar sem allir sem munu nota vöruna geta lesið hana, eftir lesturinn.

Tilkynning til viðskiptavina í Evrópu

VARÚÐ

HÆTTA Á SPRENGINGU EF RAFHLÖÐUNNI ER SKIPT ÚT MEÐ RANGRI GERÐ. FARGIÐ NOTUÐUM RAFHLÖÐUM SAMKVÆMT LEIÐBEINGUNUM.

Þetta tákn gefur til kynna að þessari vöru verði safnað sérstaklega.



Eftirfarandi á einungis við um notendur í Evrópulöndum:

- Þessi vara er ætluð til sérstakrar söfnunar á viðeigandi söfnunarstöðum. Má ekki henda með venjulegu heimilissusli.
- Nánari upplýsingar má fá hjá umboðsaðila eða staðaryfirvöldum sem sjá um úrvinnslu sorps.

Viðvaranir fyrir notkun

- MB-D12 er eingöngu notuð með samhæfum myndavélum.
- Ekki nota með rafhlöðum eða rafhlöðuhöldurum sem ekki er mælt með í þessari handbók.
- Skiptið um tengilok þegar MB-D12 er ekki í notkun til að koma í veg fyrir raflost vegna málmhluta sem snerta rafskautin.
- Fjarlægið rafhlöðurnar eða eða setjið haldarann eða lokið á haldarahylkið til að koma í veg fyrir raflost vegna snertingar við aðra málmhluti þegar rafhlöðuhaldarinn er fjarlægður frá MB-D12.
- Það getur verið að aðgangsljós minniskortsins lýsi þegar MB-D12 er sett í eða fjarlægt úr myndavélinni, en þetta er ekki bilun.
- Hættið strax að nota tækið ef tekið er eftir reykt eða óvanalegri lykt eða hljóði frá rafhlöðubúnaðinum. Farið með tækið til söluaðila eða viðurkenndan þjónustuaðila Nikon til skoðunar eftir að rafhlöðurnar eru fjarlægðar.
- MB-D12 er ekki með aflrofa. Notið aflrofa myndavélarinnar til að kveikja eða slökkva á aflgjafanum.

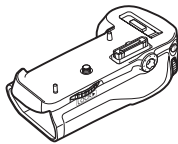
Inngangur

Þakka þér fyrir að festa kaup á MB-D12 fjölvirka rafhlöðubúnaðinn til notkunar með stafrænni Nikon spegilmyndavél sem skrá MB-D12 sem sambærilegur aukabúnaður í myndavélahandbókinni. MB-D12 tekur eina EN-EL15 eða EN-EL18 endurhlaðanlega rafhlöðu eða átta AA rafhlöður (alkalíska, Ni-MH, eða lithíum) og það fylgir með auka afsmellari, **AF-ON (AF-Á)** hnappa, fjölvirkan valtakka og aðal- og undirstjórnskífur til að taka myndir í „skammsnið“ (andlitsmynd). Valmyndakostir myndavélarinnar leyfa notandanum að velja hvort eigi að nota myndavélarafhlöðu eða MB-D12 rafhlöður fyrst; frekari upplýsingar eru í myndavélahandbókinni.

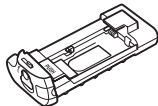
MB-D12 og aukabúnaður

MB-D12 og meðfylgjandi aukabúnaður

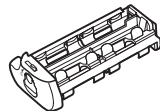
Staðfestu að eftirfarandi hlutir fylgja MB-D12 (rafhlöður eru seldar sér).



MB-D12



MS-D12EN haldari fyrir EN-EL15 rafhlöður



MS-D12 haldari fyrir AA rafhlöður



Haldarataska



Snertilok

MS-D12EN er sett í MB-D12 við sendingu. Nánari upplýsingar um hvernig eigi að fjarlægja rafhlöðuhaldarann eru á „Settu rafhlöðuna í“.

- Notendahandbók (þessi handbók)
- Ábyrgð

Notkun valfrjáls EH-5a/EH-5b straumbreytis og EP-5B rafmagnstengis

Valfrjáls EH-5a/EH-5b straumbreytir og EP-5B rafmagnstengi er áreiðanleg orkulind þegar myndavélin er notuð í lengri tíma. Notkun straumbreytis með MB-D12, settu EP-5B í MS-D12EN rafhlöðuhaldarann eins og lýst er á blaðsíðu 6 og tengdu síðan EH-5a/EH-5b eins og lýst er í leiðbeiningunum sem fylgja EP-5B.

Notkun á auka BL-5 loki á rafhlöðuhólfi

BL-5 lok á rafhlöðuhólfi (fáanlegt sér) þarf þegar EN-EL18 rafhlöður eru notaðar.



BL-5 lok á rafhlöðuhólfi

- ① Snertilok
- ② Haldari fyrir snertihlíf myndavélarinnar
- ③ Afl-/merkjasnertur
- ④ **AF-ON**-hnappur
- ⑤ Stjórnskífa
- ⑥ Fjölvirkur valtakki
- ⑦ Viðhengishjól
- ⑧ Haldarahlíf yfir rafmagnstengi
- ⑨ Lok á rafhlöðuhólfi
- ⑩ Rafhlöðuhólf
- ⑪ Krækja á rafhlöðuhólfi
- ⑫ Festingarskrúfa
- ⑬ Afsmellari
- ⑭ Stýrilás
- ⑮ Undirstjórnskífa
- ⑯ Skrúfgangur fyrir þrífót
- ⑰ MS-D12EN haldari fyrir EN-EL15 rafhlöður
- ⑱ Raftengi
- ⑲ Raftengi (MS-D12EN rafhlöðuhaldari)
- ⑳ MS-D12 haldari fyrir AA rafhlöður
- ㉑ Raftengi (MS-D12 rafhlöðuhaldari)
- ㉒ BL-5 lok á rafhlöðuhólfi (fáanlegt sér)

MB-D12 afsmellari, fjölvirkur valtakki, stjórnskífur og AF-ON-hnappur

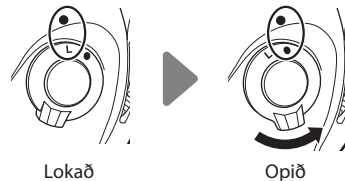
MB-D12 er útbúin með afsmellara (Mynd A-⑬), fjölvirkum valtakka (Mynd A-⑥), stjórnskífu (Mynd A-⑤), undirstjórnskífu (Mynd A-⑮) og **AF-ON**- hnapp (Mynd A-④) til notkunar þegar ljósmyndir eru teknar lóðrétt („skammsnið“ eða andlitsmynd). Þessar stýringar framkvæma sömu aðgerðir og samsvarandi stýringar á myndavélinni. Sjá nánari upplýsingar í myndavélahandbókinni.

Breytist í **Multi selector center button (miðjuhnapp fjölvirka valtakans), Multi selector (fjölvirkan valtakka), Customize command dials (sérsniðnar stjórnskífur)** og **Assign MB-D12 AF-ON (tengdan MB-D12 AF-Á)** í sérstillingarvalmynd myndavélarinnar (hópi f) á einnig við um fjölvirka valtakann, stjórnskífur og **AF-ON (AF-Á)** hnappinn á MB-D12.

MB-D12 stýrilás

Stýrilásinn (Mynd A-⑭) læsir stýringarnar á MB-D12 til að koma í veg fyrir óviljandi notkun. Áður en þessar stýringar eru notaðar til að taka lóðrétt (andlitsmynd) ljósmyndir, slepptu læsingunni eins og sýnt er hér til hægri.

Stýrilásinn er ekki aflrofi. Notið aflrofann til að kveikja eða slökkva á myndavélinni.



Notkun rafhlöðubúnaðar

Festa rafhlöðubúnað á

Tryggðu að slökkt sé á myndavélinni og að MB-D12 stýrilásinn (Mynd A-⑭) sé í **L** stöðu áður en rafhlöðubúnaðurinn er settur í, (útskýringin sýnir D800).

- 1 Fjarlægðu snertihlífina (Mynd A-①) af rafhlöðubúnaðinum.
- 2 Tengin fyrir MB-D12 eru á grunni myndavélarinnar, þar sem þeir eru verndaðir af snertihlífinni. Fjarlægðu snertihlífina eins og sýnt er á mynd B-① og settu hana í snertihlífahaldarann á MB-D12 (Mynd B-②).
- 3 Staðsettu MB-D12, haltu MB-D12 láttu festiskrúfuna (Mynd C-②) flúttu við skrófgang þrífóts myndavélarinnar (Mynd C-①) og hertu viðhengishjólið með því að snúa því í þá átt sem sýnd er með **LOCK (LÆSA)** örinni (Mynd D). Ekki er þörf á að fjarlægja rafhlöðuna úr myndavélinni áður en MB-D12 er tengd. Við sjálfgefnar stillingar er rafhlaðan sem sett er í myndavélina aðeins notuð þegar rafhlaðan í MB-D12 er tóm. Hægt er að nota **Battery order (rafhlöðuraða)** valkosturinn í sérsniðnum stillingarvalkosti myndavélarinnar (d-hópur) til að breyta notkunarröð rafhlaðanna.

Gættu þess að setja snertihlíf myndavélarinnar í snertihlífahaldarann og halda MB-D12 snertilokið á öruggan stað til að forðast tap.

Það þarf PB-6D og PK-13 sjálfvirka millihringi þegar PB-6 nærmyndatökubelgur er notaður með MB-D12.

Rafhlöðubúnaður tekinn úr

Slökktu á myndavélinni og settu stýrilásinn á MB-D12 í **L**, til að fjarlægja MB-D12, leystu þá viðhengishjólið og fjarlægðu MB-D12. Tryggðu að skipta snertihlíf myndavélarinnar út og setja snertilokið á MB-D12 þegar rafhlöðubúnaðurinn er ekki í notkun.

Setja rafhlöður í

Hægt er að nota MB-D12 með einni EN-EL15 eða EN-EL18 Li-ion hleðslurafhlöðu eða með átta AA rafhlöður. BL-5 lok á rafhlöðuhólfi (fáanlegt sér) þarf þegar EN-EL18 rafhlaða er notuð.

Tryggðu að slökkt sé á myndavélinni áður en rafhlöðurnar eru settar í og að stýrilás MB-D12 sé í **L** stöðu.

- 1 Snúðu MB-D12 krækjunni á rafhlöðuhólfinu í **C** og fjarlægðu rafhlöðuhaldarann (Mynd E).
- 2 Gerðu rafhlöðurnar tilbúna eins og lýst er að neðan.

EN-EL15: Para skörðin á rafhlöðunni að vörpuninni á MS-D12EN haldaranum, settu rafhlöðuna í með örina (▲) á rafhlöðunni að raftengi rafhlöðuhaldarans (Mynd F-❶). Ýttu rafhlöðunni létt niður á við og renndu henni í átt að örinni þangað til raftengin smella í (Mynd F-❷).

EN-EL18: Ef rafhlöðusmellarinn á auka BL-5 loki á rafhlöðuhólfinu er staðsett þannig að örin ◁ sé sýnileg, renndu rafhlöðusmellaranum yfir örina (Mynd G-❶). Settu tvö útskotin á rafhlöðunni inn í passandi raufar á BL-5 (Mynd G-❷) og staðfestu að rafhlöðusmellarinn hefur runnið til hliðar til að sýna örina.

AA rafhlöður: Settu átta AA rafhlöður í MS-D12 rafhlöðuhólfið eins og sýnt er í mynd H, gakktu úr skugga um að rafhlöðurnar snúi rétt.

- 3 Settu rafhlöðuhaldarann í MB-D12 og kræktu lokinu á rafhlöðuhólfinu (Mynd I). Tryggðu að haldarinn sé alveg settur í áður en krækjunni er snúið.
- 4 Kveiktu á myndavélinni og athugaðu hleðslustöðu rafhlöðunnar í stjórnborðinu eða leitaranum. Ef það kviknar ekki á myndavélinni, athugaðu hvort rafhlaðan sé sett rétt í.

EP-5B rafmagnstengi

Þegar EP-5B rafmagnstengið er notað, settu það í MS-D12EN haldarann með örina (▲) á tenginu að raftengi rafhlöðunnar. Ýttu tenginu létt niður á við og renndu því í átt að örinni þangað til raftengin smella í (Mynd J-❶). Opnaðu haldarahlíf yfir rafmagnstengið og settu EP-5B rafmagnssnúruna í gegn um opið (Mynd J-❷).

Hleðslustaða rafhlöðu

Myndavélin sýnir hleðslustöðu rafhlöðunnar eins og sýnt er:

EN-EL15/EN-EL18 rafhlaða

| Stjórnborð | Leitari | Lýsing |
|------------|---------|--|
| | — | Rafhlaða fullhlaðin. |
| | — | Rafhlaða notuð að nokkru leyti. |
| | | |
| | | |
| | | Rafhlaða að tæmast. Hafðu fullhlaðna vararafhlöðu tilbúna eða hladdu rafhlöðuna. |
| | | Rafhlaðan tóm. Settu rafhlöðuna í hleðslu eða skiptu um hana. |

AA rafhlöður

| Stjórnborð | Leitari | Lýsing |
|------------|---------|--|
| | — | Hleðsla sem eftir er. |
| | | Rafhlöðurnar að tæmast. Auka rafhlöður tilbúna. |
| | | Rafhlöður tómar. Shutter release disabled (Afsmellari gerður óvirkur). |

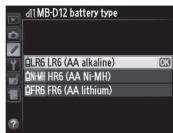
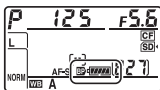
Hæg er að nota valkostinn í Hópi-d í sérsniðnum stillingarvalmynd myndavélarinnar til að breyta notkun á

rafhlöduröðinni. Þegar myndavélin fær orku frá MB-D12, kemur **BP** tákn fram á stjórnborðinu. Ef **BP** tákníð blikkar er lokið á rafhlöðuhólfinu ekki læst. Lokaðu og kræktu lokinu á rafhlöðuhólfinu.

Tryggðu að myndavélin sýni rétt hleðslustöðuna rafhlöðu þegar AA rafhlöður eru notaðar, veldu viðeigandi valkost fyrir **MB-D12 battery type (MB-D12 rafhlöðugerð)** í sérsniðnum stillingarvalmynd myndavélarinnar (d-hópur). Ef réttur valkostur er ekki valinn getur verið að myndavélin virki ekki eins og hún á að gera.

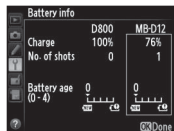
| Valkostur | Rafhlöðugerð |
|--------------------------|-------------------|
| LR6 (AA alkaline) | AA alkaline (LR6) |
| HR6 (AA Ni-MH) | AA Ni-MH (HR6) |
| FR6 (AA lithium) | AA litíum (FR6) |

Fjarlægðu rafhlöðurnar þegar MB-D12 er ekki í notkun.



Upplýsingar um rafhlöðu

Hægt er að skoða rafhlöðuupplýsingar (ásamt stillingaupplýsingum fyrir EN-EL18 rafhlöður) á uppsetningarvalmynd myndavélarinnar (rafhlöður myndavélarinnar eru skráðar til vinstri, MB-D12 eru skráðar til hægri). Einungis rafhlöðutákníð er sýnt þegar AA rafhlöður eru notaðar. Sjá myndavélahandbókina fyrir nánari upplýsingar.



Athugið: Skýringarmyndirnar á þessari blaðsíðu eru frá D800.

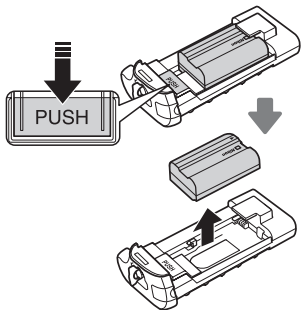
Fjarlægja rafhlöður

Gætið þess að missa ekki rafhlöðurnar eða haldaranum.

- 1 Snúðu MB-D12 krækjunnni á rafhlöðuhólfinu í  og fjarlægðu rafhlöðuhaldaranum (Mynd E).
- 2 Fjarlægðu rafhlöðuna eða rafhlöðurnar úr haldaranum.

EN-EL15

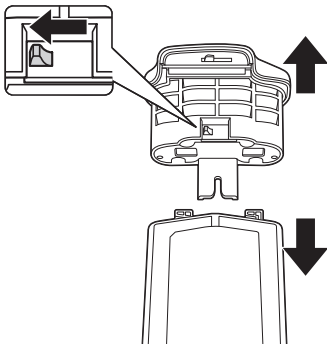
Á meðan ýtt er á **PUSH (ÝTA)** hnapp haldarans er rafhlöðunni rennt að hnappinum. Þá er hægt að fjarlægja rafhlöðuna eins og sýnt er.



AðferðintilaðfjarlægjaEP-5Brafmagnstengið er það sama og fyrir EN-EL15.

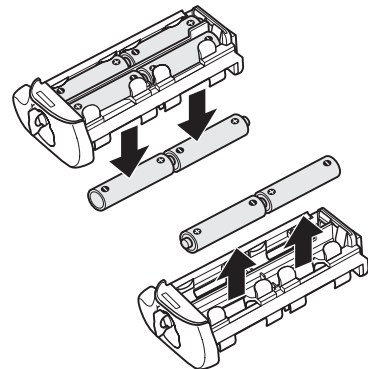
EN-EL18

Renndu rafhlöðusmellaranum í áttina sem örin () sýnir og fjarlægðu lokið á rafhlöðuhólfinu.



AA rafhlöður

Fjarlægðu rafhlöðurnar eins og sýnt er. Gættu þess að missa rafhlöðurnar þegar þær eru teknar úr haldaranum.



Tæknilysing

| | |
|---------------------------------|--|
| Aflgjafi | Ein EN-EL15 eða EN-EL18 Li-ion hleðslurafhlaða, átta LR6 alkalísk, HR6 Ni-MH, eða FR6 lithíum AA rafhlöður, eða EH-5b/EH-5a/EH-5 AC millistykki (þarf EP-5B rafmagnstengi) |
| Umhverfishiti við notkun | 0 – 40 °C |
| Stærðir (W × H × D) | U.p.b. 151 × 50 × 81 mm |
| Þyngd | U.p.b. 365 g með MS-D12EN og auka EN-EL15 rafhlaða U.p.b. 460 g með MS-D12 og átta AA rafhlöður (fáanlegar sér frá þriðja söluaðila) U.p.b. 310 g með MS-D12EN og auka EP-5B rafmagnssnúru U.p.b. 425 g með auka BL-5 og EN-EL18 rafhlöðu U.p.b. 280 g með MS-D12EN U.p.b. 270 g með MS-D12 |

Tæknilysing og hönnun er efni til breytinga án tilkynninga.

EN-EL15 og EN-EL18 rafhlöður

Geta EN-EL15 og EN-EL18 rafhlaðanna fellur við hitastig undir um 10 °C. Tryggðu að rafhlaðan er hlaðin að fullu og haltu heitri vararafhlöðu við höndina til að skipta um ef þarf. Kaldar rafhlöður munu fá hluta af hleðslunni þegar þær hitna.

AA rafhlöður

Vegna takmarkaðs getu ætti einungis að nota AA LR6 alkaline rafhlöður þegar engar aðrar rafhlöður eru fáanlegar.

Geta AA rafhlaðna er mismunandi eftir tegund og geymsluaðstæðum og geta verið í nokkrum tilvikum mjög lág; í sumum tilfellum geta AA rafhlöður hætt að virka fyrir fyrningardagsetningu. Athugaðu að geta AA rafhlaðna getur fallið við hitastig undir 20 °C. Ekki er mælt með notkun við lágt hitastig.

Tökuhraði

EN-EL18 og AA rafhlöður styðja hærri tökuhraða en EN-EL15; athugaðu hins vegar að í tilviki af AA rafhlaðna mun tökuhraðinn falla þegar hitastigið er lágt eða ef rafhlöðurnar eru hálf tómar. Sjá nánari upplýsingar um tökuhraða í myndavélahandbókinni.

Grip MB-D12

Manualul utilizatorului

Cuprins

| | |
|--|---|
| Prevederi de siguranță | 2 |
| Avertismente pentru clienții din Europa | 2 |
| Precauții pentru utilizare..... | 2 |
| Introducere..... | 3 |
| MB-D12 și accesorii..... | 3 |
| MB-D12 și accesorii furnizate | 3 |
| Utilizarea adaptorului opțional EH-5a/EH-5b CA și a conectorului de alimentare EP-5B | 3 |
| Utilizarea capacului opțional BL-5 al locașului acumulatorului..... | 3 |
| Piese ale MB-D12 | 4 |
| Butonul de declanșare, selectorul multiplu, selectoarele de comandă și butonul AF-ON ale MB-D12..... | 4 |
| Blocare control MB-D12 | 4 |
| Utilizarea gripului | 5 |
| Atașarea gripului..... | 5 |
| Îndepărtarea gripului | 5 |
| Introducerea bateriilor | 6 |
| Scoaterea bateriilor | 8 |
| Specificații..... | 9 |

Prevederi de siguranță

Pentru a asigura operarea corectă, citiți acest manual cu atenție înainte de a utiliza acest produs. După citire, asigurați-vă că păstrați manualul unde poate fi văzut de toți cei care utilizează produsul.

Avertismente pentru clienții din Europa

ATENȚIE

EXISTĂ RISCUL DE EXPLOZIE ÎN CAZUL ÎN CARE ACUMULATORUL ESTE ÎNLOCUIT CU UNUL DE TIP INCORECT. ARUNCAȚI ACUMULATORII UZAȚI ÎN CONFORMITATE CU INSTRUCȚIUNILE.

Acest simbol indică faptul că acest produs trebuie colectat separat.



Următoarele vizează doar utilizatori din țările europene:

- Acest produs este proiectat pentru colectarea separată la un centru adecvat de colectare. Nu aruncați la un loc cu deșeurile menajere.
- Pentru mai multe informații, contactați distribuitorul sau autoritățile locale responsabile cu gestionarea deșeurilor.

Precauții pentru utilizare

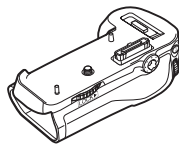
- MB-D12 poate fi utilizat numai cu aparate compatibile.
- Nu utilizați baterii și carcase pentru baterii care nu sunt recomandate în acest manual.
- Pentru a preveni scurtcircuite cauzate de obiecte de metal care ating bornele de alimentare, înlocuiți capacul de contact când MB-D12 nu este utilizat.
- Când o carcasă de baterii este scoasă din MB-D12, îndepărtați bateriile sau poziționați carcasa sau capacul în husa carcasei pentru a preveni scurtcircuitele cauzate de contactul cu alte obiecte de metal.
- Indicatorul luminos de acces al cardului de memorie se poate aprinde când MB-D12 este atașat sau îndepărtat de pe aparatul foto, dar acest lucru nu este o defecțiune.
- Dacă observați fum sau un miros neobișnuit sau zgomot din grip, întrerupeți imediat utilizarea. După îndepărtarea bateriilor, duceți dispozitivul la comerciant sau la o reprezentanță autorizată Nikon pentru inspecție.
- MB-D12 nu este echipat cu un comutator de alimentare. Utilizați comutatorul de alimentare al aparatului foto pentru a porni sau a opri aparatul foto.

Vă mulțumim pentru achiziționarea unui grip MB-D12 destinat utilizării cu aparatele foto Nikon digitale reflex cu vizare prin obiectiv care menționează MB-D12 ca accesoriu compatibil în manualul aparatului foto. MB-D12 necesită un acumulator EN-EL15 sau EN-EL18 sau opt acumulatori AA (alcalini, Ni-MH sau litiu) și include un buton de declanșare alternativ, buton **AF-ON**, selector multiplu și selectoare de comandă principal și secundar pentru realizarea fotografiilor în orientarea „pe înălțime” (portret). Opțiunile din meniu ale aparatului foto îi permit utilizatorului să aleagă dacă bateria aparatului foto sau bateriile din MB-D12 sunt utilizate mai întâi; consultați manualul aparatului foto pentru detalii.

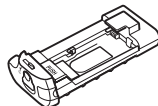
MB-D12 și accesorii

MB-D12 și accesorii furnizate

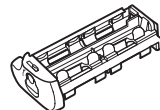
Confirmați că următoarele elemente sunt furnizate cu MB-D12 (acumulatorii sunt vânduți separat).



MB-D12



Carcasă MS-D12EN pentru acumulatori EN-EL15



Carcasă MS-D12 pentru acumulatori AA



Husă carcasă



Capac de contact

MS-D12EN este introdus în MB-D12 la livrare. Consultați „Introducerea bateriilor” pentru informații privind îndepărtarea carcasei bateriei.

- Manualul utilizatorului (acest manual)
- Garanție

Utilizarea adaptorului opțional EH-5a/EH-5b CA și a conectorului de alimentare EP-5B

Adaptorul opțional CA EH-5a/EH-5b și conectorul de alimentare EP-5B furnizează o sursă sigură de alimentare când aparatul foto este utilizat pentru perioade extinse. Pentru a utiliza un adaptor CA cu MB-D12, introduceți EP-5B în carcasa acumulatorului MS-D12EN după cum este descris la pagina 6 și apoi conectați EH-5a/EH-5b după cum este descris în documentația furnizată cu EP-5B.

Utilizarea capacului opțional BL-5 al locașului acumulatorului

Un capac BL-5 (disponibil separat) pentru locașul acumulatorului este necesar atunci când se utilizează acumulatorii EN-EL18.



Capac locaș acumulator BL-5

Piese ale MB-D12 (Figura A)

- ① Capac de contact
- ② Suport pentru capacul contactelor
- ③ Contacte alimentare/semnal
- ④ Buton **AF-ON**
- ⑤ Selector principal de comandă
- ⑥ Selector multiplu
- ⑦ Disc atașament
- ⑧ Capac conector carcasă alimentare
- ⑨ Capac locaș acumulator
- ⑩ Locaș acumulator
- ⑪ Zăvor locaș acumulator
- ⑫ Șurub de montare
- ⑬ Buton declanșare
- ⑭ Blocare control
- ⑮ Selector secundar de comandă
- ⑯ Montură tripod
- ⑰ Carcasă MS-D12EN pentru acumulatori EN-EL15
- ⑱ Borne de alimentare
- ⑲ Borne de alimentare (carcasă acumulator MS-D12EN)
- ⑳ Carcasă MS-D12 pentru acumulatori AA
- ㉑ Borne de alimentare (carcasă acumulator MS-D12)
- ㉒ Capac BL-5 (disponibil separat) pentru locaș acumulator

Butonul de declanșare, selectorul multiplu, selectoarele de comandă și butonul AF-ON ale MB-D12

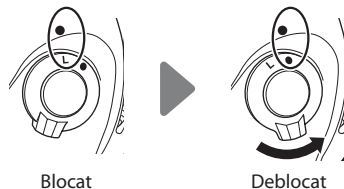
MB-D12 este echipat cu un buton de declanșare (Figura A-⑬), selector multiplu (Figura A-⑥), selector principal de comandă (Figura A-⑤), selector secundar de comandă (Figura A-⑮) și butonul **AF-ON** (Figura A-④) pentru utilizarea la efectuarea fotografiilor în orientare verticală („pe înalt” sau portret). Aceste comenzi execută aceleași funcții ca și comenzile corespunzătoare de pe aparatul foto. Pentru informații suplimentare, consultați manualul aparatului foto.

Modificările la **Butonul cent. sel. multiplu, Selector multiplu, Personaliz. selectoare com.** și **Asociere MB-D12 AF-ON** din meniul de Setări personalizate al aparatului foto (Grup f) se aplică și pentru selectorul multiplu, selectoarele de comandă și butonul **AF-ON** de pe MB-D12.

Blocare control MB-D12

Blocarea controlului (Figura A-⑭) blochează controalele de pe MB-D12 pentru a preveni utilizarea neintenționată. Înainte de utilizarea acestor controale pentru a efectua fotografii în orientare verticală (portret), eliberați blocarea după cum este arătat în dreapta.

Blocarea controlului nu este un comutator de alimentare. Utilizați comutatorul de alimentare al aparatului foto pentru a porni și a opri aparatul foto.



Utilizarea gripului

Atașarea gripului

Înainte de a atașa gripul, asigurați-vă că aparatul foto este oprit și că blocarea controlului MB-D12 (Figura A-④) este în poziția **L** (ilustrațiile arată D800).

- 1 Îndepărtați capacul contactului (Figura A-①) de pe grip.
- 2 Contactele pentru MB-D12 se află la baza aparatului foto, unde sunt protejate de un capac de contact. Îndepărtați capacul contactului după cum este arătat în Figura B-① și poziționați-l în carcasa capacului contactului de pe MB-D12 (Figura B-②).
- 3 Poziționați MB-D12, păstrând șurubul de montare MB-D12 (Figura C-②) aliniat cu montura trepiedului aparatului foto (Figura C-①) și strângeți discul de atașament prin rotirea acestuia în direcția arătată de săgeata **LOCK** (Figura D). Nu este nevoie să îndepărtați acumulatorul din aparatul foto înainte de conectarea la MB-D12. La setări implicite, acumulatorul introdus în aparatul foto va fi utilizat numai după ce acumulatorul din MB-D12 este epuizat. Opțiunea **Ordine baterii** din meniul de setări personalizate ale aparatului foto (Grup d) poate fi utilizată pentru a schimba ordinea în care sunt utilizați acumulatorii.

Asigurați-vă că poziționați capacul de contact al aparatului foto în carcasa capacului de contact și că păstrați capacul contactului MB-D12 într-un loc sigur pentru a preveni pierderea.

Un PB-6D și un inel cu extindere automată PK-13 sunt necesare atunci când utilizați accesoriul de focalizare cu burduf PB-6 cu MB-D12.

Îndepărtarea gripului

Pentru a îndepărta MB-D12, opriți aparatul foto și setați blocarea controlului de pe MB-D12 la **L**, apoi slăbiți discul de atașament și îndepărtați MB-D12. Asigurați-vă să repositionați capacul contactului de pe aparatul foto și capacul contactului pe MB-D12 când setul de baterii nu este utilizat.

Introducerea bateriilor

MB-D12 poate fi utilizat cu un acumulator Li-ion EN-EL15 sau EN-EL18 sau cu opt acumulatori AA. Un capac opțional BL-5 (disponibil separat) pentru locașul acumulatorului este necesar atunci când se utilizează un acumulator EN-EL18.

Înainte de a introduce bateriile, asigurați-vă că aparatul foto este oprit și de blocarea controlului MB-D12 în poziția **L**.

1 Întoarceți zăvorul locașului acumulatorului MB-D12 spre  și îndepărtați carcasa acumulatorului (Figura E).

2 Pregătiți bateriile după cum este descris mai jos.

EN-EL15: Potrivind cavitățile de pe baterie cu proiecțiile de pe carcasa MS-D12EN, introduceți bateria cu săgeata (▲) de pe baterie spre bornele carcasei alimentării bateriilor (Figura F-①). Apăsăți bateria ușor în jos și glisați-o în direcția săgeții până când bornele de alimentare se fixează în loc (Figura F-②).

EN-EL18: Dacă decuplarea acumulatorului de pe capacul opțional BL-5 al locașului acumulatorului este poziționată astfel încât săgeata este vizibilă, glisați decuplarea acumulatorului pentru a acoperi săgeata (Figura G-①). Introduceți cele două protuberanțe de pe acumulator în orificiile respective de pe BL-5 (Figura G-②) și asigurați-vă că decuplarea acumulatorului s-a deplasat pentru ca săgeata să fie vizibilă.

Acumulatori AA: Așezați opt acumulatori AA în suportul pentru acumulator MS-D12 conform instrucțiunilor din Figura H, asigurându-vă că acumulatorii sunt în orientarea corectă.

3 Introduceți carcasa acumulatorului în MB-D12 și zăvorâți capacul locașului acumulatorului (Figura I). Asigurați-vă că este complet introdusă carcasa înainte de a întoarce zăvorul.

4 Porniți aparatul foto și verificați nivelul bateriei în panoul de control sau vizor. Dacă aparatul foto nu pornește, verificați dacă bateria este corect introdusă.

Conectorul de alimentare EP-5B

Când se utilizează un conector de alimentare EP-5B, introduceți-l în carcasa MS-D12EN cu săgeata (▲) de pe conector spre bornele alimentării acumulatorului. Apăsăți conectorul ușor în jos și glisați-l în direcția săgeții până când bornele de alimentare se fixează în poziție (Figura J-①). Deschideți capacul carcasei conectorului de alimentare și treceți cablul de alimentare EP-5B prin deschidere (Figura J-②).

Nivel acumulator

Aparatul foto afișează nivelul acumulatorului după cum urmează:

Acumulator EN-EL15/EN-EL18

| Panou de control | Vizor | Descriere |
|------------------|-------|--|
| | — | Acumulator complet încărcat. |
| | — | Acumulator descărcat parțial. |
| | | Nivel scăzut al acumulatorului. Pregătiți acumulatorul de rezervă încărcat complet sau încărcați acumulatorul. |
| | | Acumulator epuizat. Încărcați sau schimbați acumulatorul. |

Baterii AA

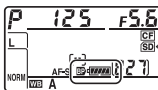
| Panou de control | Vizor | Descriere |
|------------------|-------|---|
| | — | Încărcare rămasă. |
| | | Nivel scăzut al acumulatorilor. Pregătiți bateriile de rezervă. |
| | | Acumulatori epuizați. Declanșare dezactivată. |

O opțiune din Grupul d din meniul de setări personalizate ale aparatului foto poate fi utilizată pentru a schimba ordinea în care sunt utilizați acumulatorii. Când aparatul foto se alimentează prin MB-D12, o pictogramă **BP** este afișată în panoul de control. Dacă pictograma **BP** clipește, capacul locașului acumulatorului nu este blocat. Închideți și fixați capacul locașului acumulatorului.

Pentru a vă asigura că aparatul foto arată nivelul corect al nivelului acumulatorului când sunt utilizate bateriile AA, alegeți o opțiune corespunzătoare pentru **Tip baterie MB-D12** în meniul setărilor personalizate ale aparatului foto (Grupul d). Dacă nu este selectată opțiunea corectă, se poate ca aparatul foto să nu funcționeze după cum este așteptat.

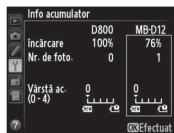
| Opțiune | Tip baterie |
|-----------------------|-------------------|
| LR6 LR6 (AA alcaline) | AA alcalină (LR6) |
| HR6 (AA Ni-MH) | AA Ni-MH (HR6) |
| FR6 FR6 (AA lithium) | AA Litiu (FR6) |

Îndepărtați acumulatorii când MB-D12 nu este utilizat.



Informații acumulator


Informațiile despre acumulatori (inclusiv informațiile de calibrare pentru acumulatorii EN-EL18) pot fi vizualizate din meniul de setare al aparatului foto (acumulatorul aparatului foto este menționat în stânga, MB-D12 în dreapta). Numai pictograma nivelului bateriei este arătată când sunt utilizate baterii AA. Consultați manualul aparatului foto pentru detalii.



Notă: Ilustrațiile de pe această pagină sunt pentru D800.

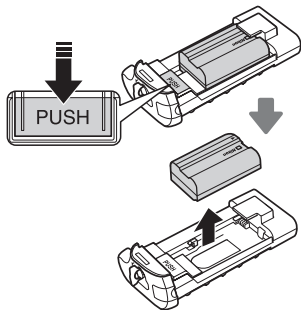
Scoaterea bateriilor

Aveți grijă să nu scăpați bateriile sau carcasa.

- 1 Întoarceți zăvorul locașului acumulatorului MB-D12 spre  și îndepărtați carcasa acumulatorului (Figura E).
- 2 Scoateți acumulatorul sau bateriile din carcasă.

EN-EL15

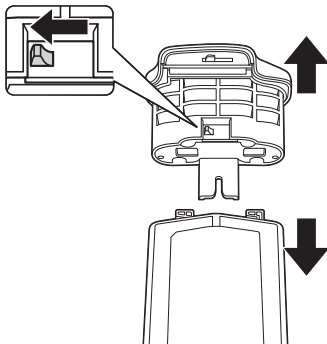
În timp ce apăsați butonul **PUSH** al carcasei, glisați acumulatorul spre buton. Acumulatorul poate fi îndepărtat după cum este arătat.



Procedura îndepărtării conectorului de alimentare EP-5B este aceeași ca și pentru EN-EL15.

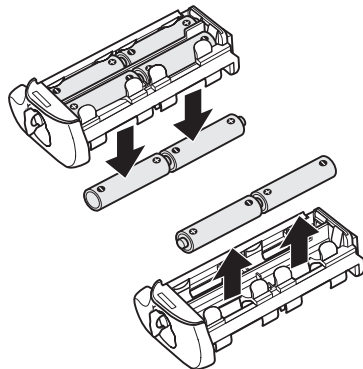
EN-EL18

Glisați decuplarea acumulatorului în direcția indicată de săgeata (<) și scoateți capacul locașului acumulatorului.



Baterii AA

Îndepărtați acumulatorii după cum este arătat. Aveți grijă să nu scăpați bateriile când le scoateți din carcasă.



Specificații

| | |
|-----------------------------------|---|
| Sursă de alimentare | Un acumulator Li-ion EN-EL15 sau EN-EL18, opt acumulatori AA LR6 alcalini, HR6 Ni-MH sau FR6 litiu sau un adaptor de curent alternativ EH-5b/EH-5a/EH-5 (necesită conector de alimentare EP-5B) |
| Temperatură de funcționare | 0 – 40 °C |
| Dimensiuni (L × Î × A) | Aprox. 151 × 50 × 81 mm |
| Greutate | Aprox. 365 g cu MS-D12EN și acumulatorul EN-EL15 opțional Aprox. 460 g cu MS-D12 și opt acumulatori AA (disponibili separat de la alți furnizori) Aprox. 310 g cu MS-D12EN și conectorul alimentare EP-5B opțional Aprox. 425 g cu capacul opțional BL-5 al locașului acumulatorului și acumulatorul EN-EL18 Aprox. 280 g cu MS-D12EN Aprox. 270 g cu MS-D12 |

Specificațiile și modelul sunt supuse la schimbări fără avertizare.

Acumulatori EN-EL15 și EN-EL18

Performanța acumulatorilor EN-EL15 și EN-EL18 scade la temperaturi sub aproximativ 10 °C. Asigurați-vă că acumulatorul este încărcat complet și păstrați la îndemână un acumulator cald pregătit de schimbare când este necesar. Acumulatorii reci pot recupera din încărcarea lor când sunt încălziți.

Baterii AA

Datorită capacității lor limitate, bateriile alcaline AA LR6 trebuie utilizate numai când nu este nicio altă alternativă disponibilă.

Capacitatea bateriilor AA variază în funcție de condițiile de producție și stocare și în anumite momente poate fi extrem de scăzută; în unele cazuri, bateriile AA pot înceta să funcționeze înainte de data lor de expirare. Rețineți că puterea de capacitate a bateriilor AA poate scădea la temperaturi sub 20 °C. Nu este recomandată utilizarea lor la temperaturi scăzute.

Cadență avans cadre

Acumulatorii EN-EL18 și AA acceptă cadențe de avans al cadrelor mai mari decât EN-EL15; rețineți, totuși, că în cazul acumulatorilor AA, cadența de avans al cadrelor va scădea la temperaturi reduse sau dacă nivelul acumulatorului este scăzut. Pentru informații suplimentare despre cadența de avans al cadrelor, consultați manualul aparatului foto.

Універсальний батарейний блок MB-D12

Посібник користувача

Зміст

| | |
|--|---|
| Правила техніки безпеки | 2 |
| Примітки для користувачів з Європи | 2 |
| Застереження щодо використання | 2 |
| Вступ..... | 3 |
| Блок MB-D12 та аксесуари | 3 |
| Блок MB-D12 та аксесуари з комплекту | 3 |
| Використання додаткового адаптера змінного струму EH-5a/EH-5b та з'єднувача живлення EP-5B ... | 3 |
| Використання додаткової кришки відсіку для елемента живлення BL-5 | 3 |
| Деталі блока MB-D12 | 4 |
| Кнопка спуску затвора, кнопка AF-ON, мультиселектор і диски керування на блоці MB-D12 | 4 |
| Блокування засобів керування на блоці MB-D12 | 4 |
| Використання батарейного блока | 5 |
| Прикріплення батарейного блока | 5 |
| Зняття батарейного блока | 5 |
| Вставлення елементів живлення | 6 |
| Виймання елементів живлення | 8 |
| Технічні параметри..... | 9 |

Правила техніки безпеки

Для забезпечення належної роботи виробу ознайомтесь з інформацією, викладеною у цьому посібнику, перед використанням цього блока. Після ознайомлення з інформацією зберігайте цей посібник у місці, де його зможуть легко знайти всі ті, хто користуватиметься виробом.

Примітки для користувачів з Європи

ПОПЕРЕДЖЕННЯ

ПРИ ВИКОРИСТАННІ ЕЛЕМЕНТІВ ЖИВЛЕННЯ НЕВІДПОВІДНОГО ТИПУ ІСНУЄ НЕБЕЗПЕКА ВИБУХУ. УТИЛІЗУЙТЕ ВИКОРИСТАНІ ЕЛЕМЕНТИ ЖИВЛЕННЯ ЗГІДНО З ВСТАНОВЛЕНИМИ ПРАВИЛАМИ.

Така позначка означає, що цей виріб необхідно утилізувати окремо.

Наведені нижче відомості стосуються лише користувачів, що мешкають у європейських країнах:

- Цей виріб необхідно утилізувати окремо у відповідному пункті збору відходів. Не викидайте його разом із домашнім сміттям.
- За додатковою інформацією зверніться до роздрібного продавця або місцевих органів, що відповідають за утилізацію відходів.



Застереження щодо використання

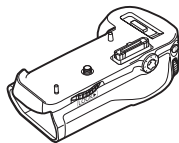
- Блок MB-D12 призначений для використання лише з сумісними фотокамерами.
- Не використовуйте його з елементами живлення чи відсіками для них, не зазначеними у цьому посібнику.
- Щоб запобігти коротким замиканням, спричиненим торканням металевими об'єктами контактів живлення, встановіть кришку контактів, коли блок MB-D12 не використовується.
- Щоб запобігти коротким замиканням, спричиненим торканням металевих об'єктів, коли відсік для елементів живлення вийнято з блока MB-D12, вийміть із нього елементи живлення, встановіть кришки на контакти живлення або помістіть відсік у футляр.
- Індикатор доступу до карти пам'яті може засвітитися, коли блок MB-D12 приєднують до фотокамери чи знімають із неї. Це не є ознакою несправності.
- Якщо помітите дим або відчуєте незвичайний запах від батарейного блока, негайно зніміть його з фотокамери. Після виймання батарей передайте виріб уповноваженому представнику сервісного центру Nikon на огляд.
- Блок MB-D12 не обладнано вимикачем живлення. Щоб увімкнути чи вимкнути живлення, використовуйте вимикач живлення фотокамери.

Дякуємо за те, що придбали універсальний батарейний блок MB-D12 для використання з будь-якими цифровими дзеркальними фотокамерами Nikon з одним об'єктивом, у посібнику до котрих блок MB-D12 зазначено як сумісний аксесуар. Блок MB-D12 уміщує один перезаряджуваний елемент живлення EN-EL15 або EN-EL18, або вісім елементів живлення типу AA (лужних, нікель-металогідридних або літєєвих), його обладнано додатковою кнопкою спуску затвора, кнопкою **AF-ON**, мультиселектором, а також головним і допоміжним дисками керування для зйомки у вертикальній (портретній) орієнтації. Параметри меню фотокамери дозволяють користувачеві вибрати, що буде використовуватися в першу чергу: елемент живлення фотокамери чи елементи живлення у блоці MB-D12; додаткові відомості наведено у посібнику до фотокамери.

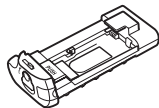
Блок MB-D12 та аксесуари

Блок MB-D12 та аксесуари з комплекту

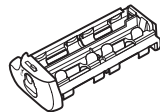
Перевірте, чи є у комплекті блоку MB-D12 наведені нижче аксесуари (елементи живлення продаються окремо).



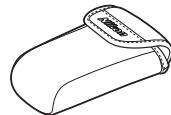
MB-D12



Відсік MS-D12EN для елементів живлення EN-EL15



Відсік MS-D12 для елементів живлення типу AA



Футляр для відсіку



Кришка контактів

MS-D12EN постачається вставленим у MB-D12. Відомості про виймання відсіку для елемента живлення наведено у розділі «Вставлення елементів живлення».

- Посібник користувача (цей посібник)
- Гарантія

Використання додаткового адаптера змінного струму EH-5a/EH-5b та з'єднувача живлення EP-5B

Додатковий адаптер змінного струму EH-5a/EH-5b та з'єднувач живлення EP-5B забезпечують надійне живлення для тривалого використання фотокамери. Щоб використовувати адаптер змінного струму разом із блоком MB-D12, вставте з'єднувач EP-5B до відсіку для елементів живлення MS-D12EN, як описано на стор. 6, а потім під'єднайте адаптер EH-5a/EH-5b, як описано у документації з комплекту з'єднувача EP-5B.

Використання додаткової кришки відсіку для елемента живлення BL-5

Кришка відсіку для елемента живлення BL-5 (продається окремо) потрібна для використання елементів живлення EN-EL18.



Кришка відсіку для елемента живлення BL-5

- ① Кришка контактів
- ② Відсік для кришки контактів фотокамери
- ③ Контакти живлення та сигнальні контакти
- ④ Кнопка **AF-ON**
- ⑤ Головний диск керування
- ⑥ Мультиселектор
- ⑦ Коліщатко фіксації
- ⑧ Кришка з'єднувача живлення на блоці
- ⑨ Кришка відсіку для елементів живлення
- ⑩ Відсік для елементів живлення
- ⑪ Фіксатор відсіку для елементів живлення
- ⑫ Монтажний гвинт
- ⑬ Кнопка спуску затвора
- ⑭ Блокатор засобів керування
- ⑮ Допоміжний диск керування
- ⑯ Гніздо для штатива
- ⑰ Відсік MS-D12EN для елементів живлення EN-EL15
- ⑱ Контакти живлення
- ⑲ Контакти живлення (відсік для елементів живлення MS-D12EN)
- ⑳ Відсік MS-D12 для елементів живлення типу AA
- ㉑ Контакти живлення (відсік для елементів живлення MS-D12)
- ㉒ Кришка відсіку для елемента живлення BL-5 (продається окремо)

Кнопка спуску затвора, кнопка AF-ON, мультиселектор і диски керування на блоці MB-D12

Блок MB-D12 обладнано кнопкою спуску затвора (Рис. А-⑬), мультиселектором (Рис. А-⑥), головним диском керування (Рис. А-⑤), допоміжним диском керування (Рис. А-⑮) і кнопкою **AF-ON** (Рис. А-④) для використання під час зйомки у вертикальній (портретній) орієнтації. Ці засоби керування виконують ті самі функції, що й відповідні засоби керування на фотокамері. Додаткові відомості наведені у посібнику користувача фотокамери.

Зміни до користувацьких параметрів фотокамери **Центр. кнопка мультисел., Мультиселектор, Налаштув. дисків керув. і Признач. AF-ON у MB-D12** (група f) також впливають на мультиселектор, диски керування та кнопку **AF-ON** блока MB-D12.

Блокування засобів керування на блоці MB-D12

Блокування засобів керування (Рис. А-⑭) допомагає блокувати засоби керування на блоці MB-D12, щоб запобігти їх випадковому використанню. Перед використанням цих засобів керування для зйомки у вертикальній (портретній) орієнтації встановіть блокатор, як показано праворуч.

Блокування засобів керування не вимикає живлення. Щоб увімкнути чи вимкнути живлення, використовуйте вимикач живлення фотокамери.



Заблоковано



Розблоковано

Використання батарейного блока

Прикріплення батарейного блока

Перед під'єднанням батарейного блока переконайтеся, що фотокамеру вимкнено, а фіксатор засобів керування на блоці MB-D12 (Рис. А-14) знаходиться у положенні **L** (на рисунку показано фотокамеру D800).

- 1 Зніміть кришку контактів (Рис. А-1) із батарейного блока.
- 2 Контакти блока MB-D12 знаходяться на нижній стороні фотокамери. Їх закрито захисною кришкою. Зніміть кришку контактів, як показано на Рис. В-1, і помістіть її до відсіку для кришки контактів на блоці MB-D12 (Рис. В-2).
- 3 Розташуйте блок MB-D12, вирівнявши монтажний гвинт блока MB-D12 (Рис. С-2) із гніздом для штатива на фотокамері (Рис. С-1). Затягніть коліщатко фіксації прокручуванню напрямку стрілки **LOCK** (Рис. D). Перед під'єднанням блока MB-D12 немає потреби виймати елемент живлення з фотокамери. За промовчанням елемент живлення фотокамери буде використовуватися тільки після розрядження елемента живлення у блоці MB-D12. Параметр **Порядок елементів живл.** у меню користувачьких параметрів фотокамери (Група d) можна використовувати для змінення порядку використання елементів живлення.

Не забудьте помістити кришку контактів фотокамери до відсіку на блоці MB-D12. Тримайте кришку контактів блока у безпечному місці, щоб не загубити її.

Під час використання фокусувального міха РВ-6 разом із блоком MB-D12 потрібні пристрій РВ-6D й автоматичне подовжувальне кільце РК-13.

Зняття батарейного блока

Щоб зняти блок MB-D12, вимкніть фотокамеру і встановіть фіксатор засобів керування на блоці MB-D12 у положення **L**, потім ослабте коліщатко фіксації та вийміть блок MB-D12. Не забудьте встановити кришки контактів на фотокамеру та блок MB-D12, коли батарейний блок не використовується.

Вставлення елементів живлення

Блок MB-D12 можна використовувати з одним перезаряджуваним літій-іонним елементом живлення EN-EL15 або EN-EL18, або з вісьмома елементами живлення типу AA. Кришка відсіку для елемента живлення BL-5 (продається окремо) потрібна для використання елементів живлення EN-EL18.

Перед вставленням елементів живлення переконайтеся, що фотокамеру вимкнено, а фіксатор засобів керування на блоці MB-D12 знаходиться у положенні **L**.

- 1 Прокрутіть фіксатор відсіку для елементів живлення на блоці MB-D12 у положення **C** і вийміть відсік для елементів живлення (Рис. E).
- 2 Підготуйте елементи живлення, як описано нижче.

EN-EL15. Вирівняйте виступи на елементі живлення відповідно до заглиблень у відсіку MS-D12EN, вставте елемент живлення стрілкою (**▲**) у напрямку контактів живлення на відсіку (Рис. F-**1**). Натисніть на елемент живлення вниз і вставте його за напрямком стрілки, поки контакти не стануть на місце, а ви не почуєте клацання (Рис. F-**2**).

EN-EL18. Якщо фіксатор елемента живлення на додатковій кришці відсіку для елемента живлення BL-5 розташовано таким чином, що видно стрілку **◁**, пересуньте його в положення, коли стрілку не видно (Рис. G-**1**). Вставте два виступи елемента живлення до відповідних заглиблень у кришці BL-5 (Рис. G-**2**) та пересуньте фіксатор елемента живлення в положення, коли видно стрілку.

Елементи живлення типу AA. Помістіть вісім елементів живлення типу AA до касети для елементів живлення MS-D12, як показано на рис. H, перевірте полярність.

- 3 Вставте відсік для елементів живлення до блока MB-D12 і закрийте кришку відсіку (Рис. I). Перед закриванням кришки переконайтеся, що відсік вставлено повністю.
- 4 Увімкніть фотокамеру та перевірте рівень заряду елемента живлення у видошукачі або на панелі керування. Якщо фотокамера не увімкнеться, переконайтеся, що елементи живлення вставлено належним чином.

З'єднувач живлення EP-5B

Під час використання з'єднувача живлення EP-5B вставте його до відсіку MS-D12EN стрілкою (**▲**) на з'єднувачі в напрямку контактів живлення. Натисніть на з'єднувач донизу та вставте його за напрямком стрілки, поки контакти не стануть на місце, а ви не почуєте клацання (Рис. J-**1**). Відкрийте кришку з'єднувача живлення на відсіку та протягніть шнур живлення EP-5B крізь отвір (Рис. J-**2**).

Рівень заряду

На фотокамері рівень заряду елемента живлення відображається таким чином:

Елемент живлення EN-EL15/EN-EL18

| Панель керування | Видошукач | Опис |
|------------------|-----------|---|
| | — | Елемент живлення повністю заряджено. |
| | — | Елемент живлення частково розряджено. |
| | | Низький рівень заряду елемента живлення. Підготуйте повністю заряджений запасний елемент живлення або підготуйтеся зарядити його. |
| | | Елемент живлення розряджено. Зарядіть або замініть елемент живлення. |

Елементи живлення типу AA

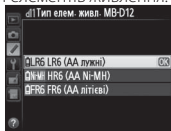
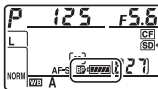
| Панель керування | Видошукач | Опис |
|------------------|-----------|--|
| | — | Заряд ще є. |
| | | Низький рівень заряду батарейок. Підготуйте запасні батарейки. |
| | | Батарейки розряджені. Кнопку спуску затвора заблоковано. |

Параметр із групи d меню користувачьких параметрів фотокамери можна використовувати для змінення порядку використання елементів живлення. Коли фотокамера використовує живлення з блоку MB-D12, на панелі керування відображається піктограма . Якщо піктограма блимає, кришку відсіку для елементів живлення не закрито. Закрийте кришку відсіку для елементів живлення.

Щоб на фотокамері відображався належний рівень заряду під час використання елементів живлення типу AA, виберіть відповідне значення для параметра **Тип елем. живл. MB-D12** у меню користувачьких параметрів фотокамери (Група d). Якщо належне значення не вибрано, фотокамера може працювати неправильно.

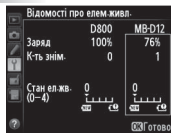
| Параметр | Тип елемента живлення |
|-------------------|----------------------------------|
| LR6 (AA alkaline) | AA, лужний (LR6) |
| HR6 (AA Ni-MH) | AA, нікель-металогідридний (HR6) |
| FR6 (AA lithium) | AA, літійовий (FR6) |

Вийміть елементи живлення, коли блок MB-D12 не використовується.



Відомості про елемент живлення


Відомості про елемент живлення (включно з відомостями про калібрування елементів живлення EN-EL18) можна переглянути у меню налаштування фотокамери (елемент живлення фотокамери показано ліворуч, блок MB-D12 — праворуч). Коли використовуються елементи живлення типу AA, відображається лише піктограма рівня заряду елемента живлення. Додаткові відомості наведено у посібнику до фотокамери.



Примітка. На рисунках на цій сторінці показано фотокамеру D800.

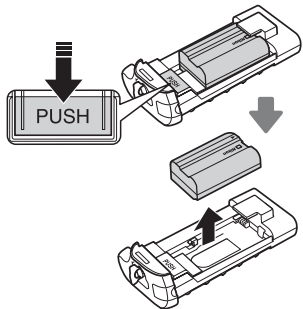
Виймання елементів живлення

Не кидайте елементи живлення або відсік.

- 1 Прокрутіть фіксатор відсіку для елементів живлення на блоці MB-D12 у положення  і вийміть відсік для елементів живлення (Рис. E).
- 2 Вийміть елементи живлення з відсіку.


EN-EL15

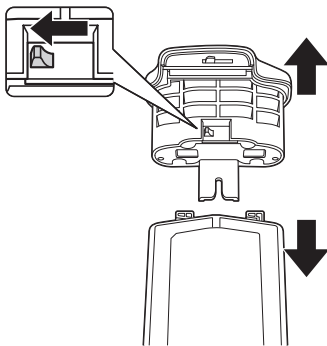
Натискаючи кнопку **PUSH** на відсіку, потягніть елементи живлення в напрямку кнопки. Тепер елементи живлення можна виймати, як показано на рисунку.



З'єднувач живлення EP-5B виймають так само, як і елемент живлення EN-EL15.

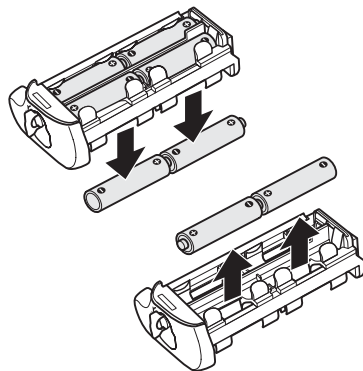
EN-EL18

Зсуньте фіксатор елемента живлення у вказаному стрілкою напрямку () та зніміть кришку відсіку для елемента живлення.



Елементи живлення типу AA

Вийміть елементи живлення, як показано на рисунку. Не кидайте елементи живлення, коли виймаєте їх із відсіку.



Технічні параметри

| | |
|--|--|
| Джерело живлення | Один перезаряджуваний літій-іонний елемент живлення EN-EL15 або EN-EL18, вісім елементів живлення типу AA LR6 лужних, HR6 нікель-металогідридних або FR6 літєвих, або адаптер змінного струму EH-5b/EH-5a/EH-5 (потрібен з'єднувач живлення EP-5B) |
| Робоча температура | 0 – 40 °C |
| Габаритні розміри (висота × ширина × глибина) | Прибл. 151 × 50 × 81 мм |
| Вага | Прибл. 365 г із MS-D12EN і додатковим елементом живлення EN-EL15 Прибл. 460 г із MS-D12 і вісьмома елементами живлення типу AA (продаються окремо у сторонніх постачальників) Прибл. 310 г із MS-D12EN і додатковим з'єднувачем живлення EP-5B Прибл. 425 г із додатковою кришкою BL-5 й елементом живлення EN-EL18 Прибл. 280 г із MS-D12EN Прибл. 270 г із MS-D12 |

Технічні параметри та конструкція можуть змінюватися без попереднього повідомлення.

Елементи живлення EN-EL15 і EN-EL18

Характеристики елементів живлення EN-EL15 і EN-EL18 погіршуються за температур нижче 10 °C. Переконайтеся, що елемент живлення повністю заряджено. Тримайте при собі теплий запасний елемент живлення, щоб виконати заміну за потреби. Після того як холодний елемент живлення нагріється, частина заряду відновиться.

Елементи живлення типу AA

Лужні елементи живлення AA LR6 мають дуже обмежену ємність, отже використовуйте їх лише тоді, коли немає інших альтернатив.

Ємність елементів живлення типу AA змінюється відповідно від виробника й умов зберігання. За певних умов вона може бути дуже малою; у деяких випадках елементи живлення типу AA можуть розрядитися до закінчення терміну зберігання. Зауважте, що ємність елементів живлення типу AA може зменшуватися за температур нижче 20 °C. Не рекомендовано використовувати їх за низьких температур.

Частота кадрів

Елементи живлення EN-EL18 і типу AA підтримують більші частоти кадрів, ніж елемент живлення EN-EL15; проте зауважте, що якщо використовуються елементи живлення типу AA, то частота кадрів буде знижуватися за низьких температур і зі зменшенням рівня заряду елементів живлення. Додаткові відомості про частоту кадрів наведені у посібнику до фотокамери.

Nikon

No reproduction in any form of this manual, in whole or in part (except for brief quotation in critical articles or reviews), may be made without written authorization from NIKON CORPORATION.



NIKON CORPORATION

Printed in Japan

© 2012 Nikon Corporation

SB1L03(P2)
6MFC02P2-03